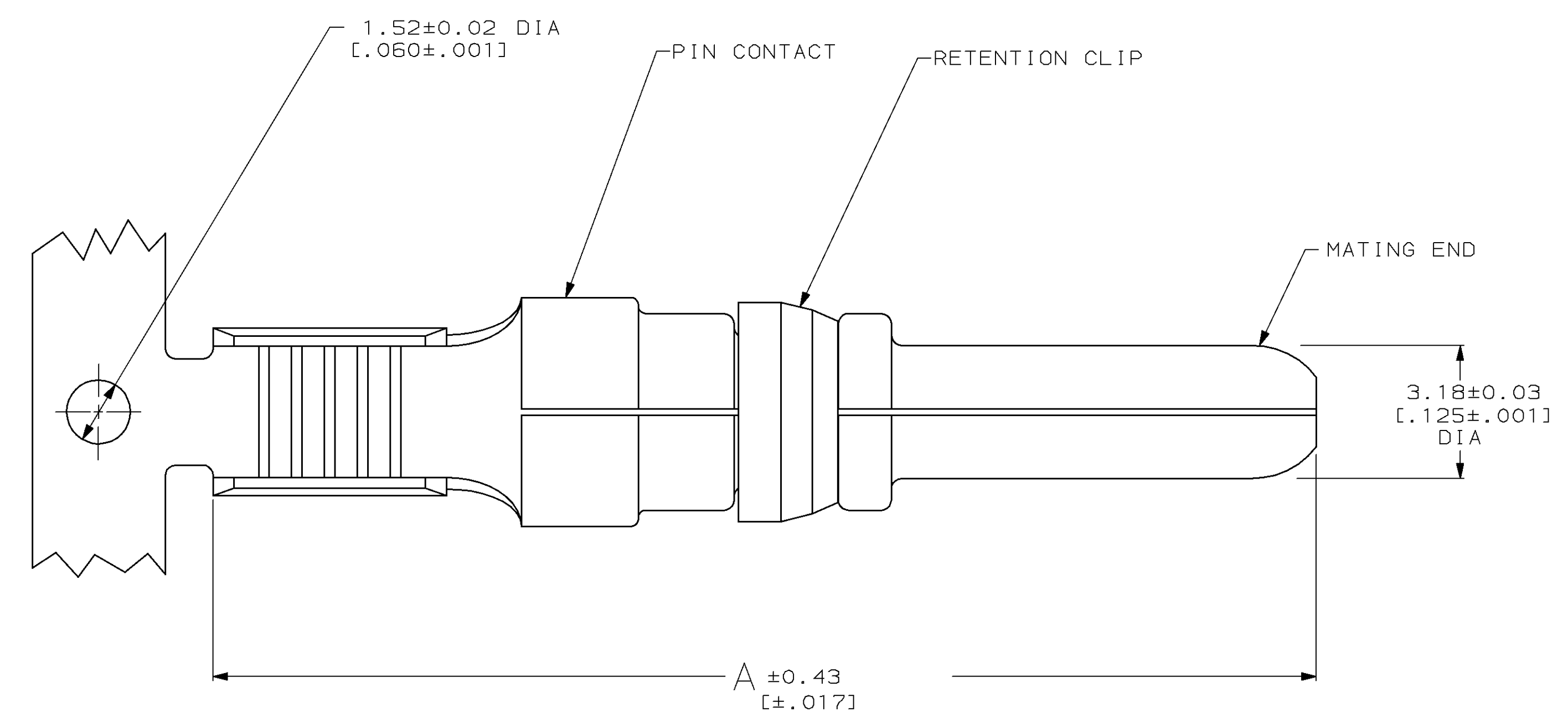
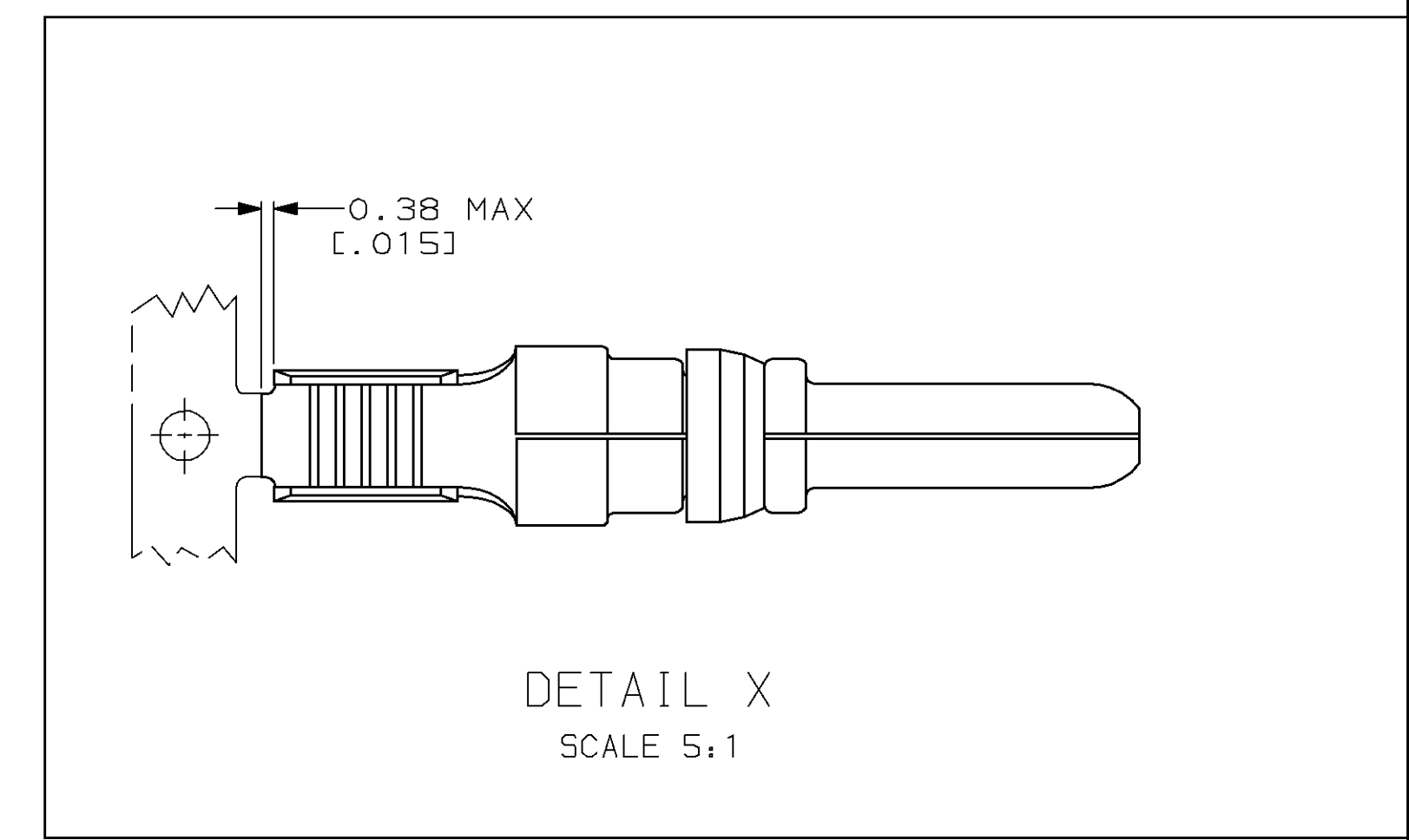
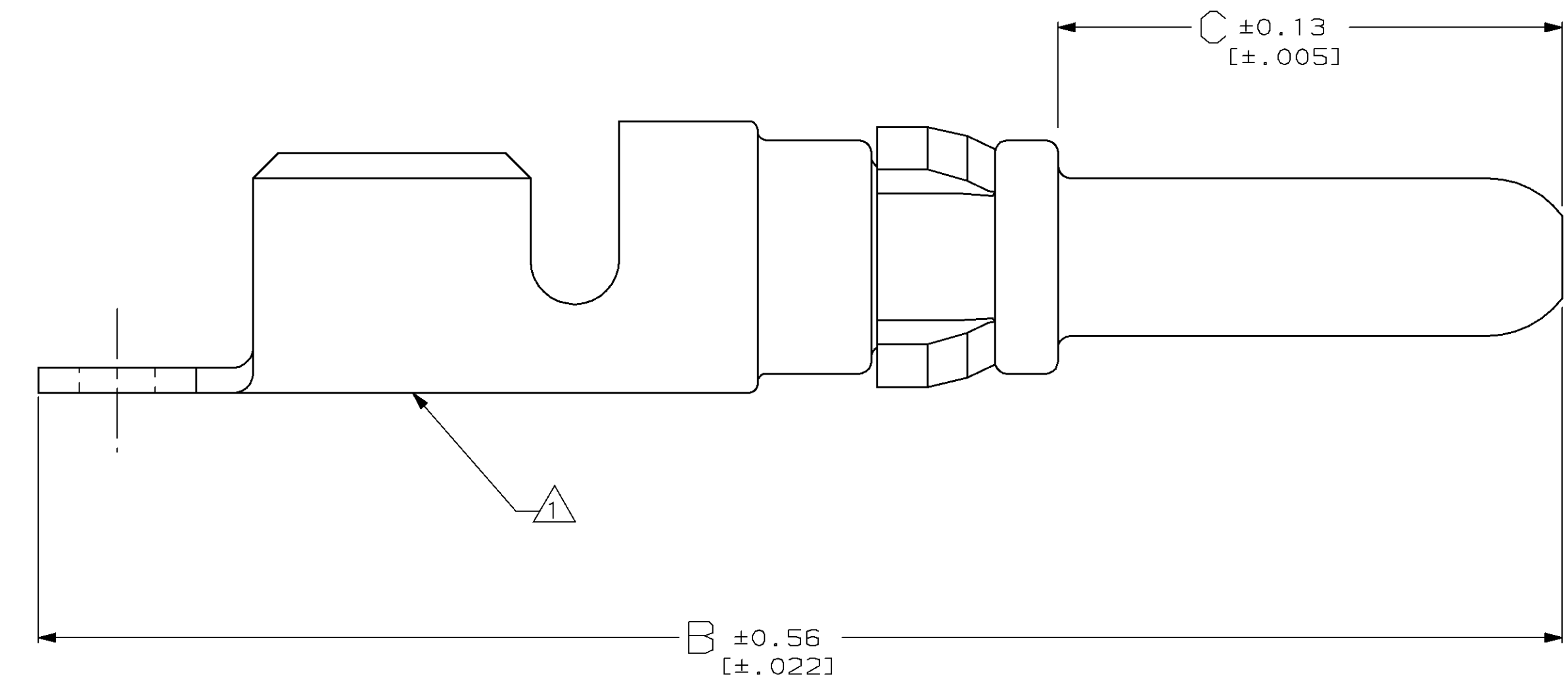


LOC	DIST	REVISIONS					
FT	13	P	LTN	DESCRIPTION	DATE	DWN	APVD
		0		RLSE -2, -4, -6, -8 PER NPR 4, WAS 95-5019-11	JUL 30 96	WGL	-
		A		ADDED -1, -3, -5, -7 PER EC 0320-73-97	21 MAR 97	CO	AF
		B		REV PER EC 0320-399-97	22 JAN 98	MB	RW



- 1 WIRE SIZE AND LOGO APPEAR ON OUTSIDE OF WIRE BARREL.
- 2 RETENTION CLIP: PHOSPHOR BRONZE PER QQ-B-750.  
PIN CONTACT: COPPER PER QQ-C-576.
- 3 PIN CONTACT: 0.76μ [.000030] MIN GOLD PER MIL-G-45204 ON CONTACT MATING END, GOLD FLASH ON REMAINDER, ALL OVER 1.27μ [.000050] MIN NICKEL PER QQ-N-390.  
RETENTION CLIP: 2.54μ [.000100] MIN NICKEL PER QQ-N-290.
- 4 PIN CONTACT: 5.08μ [.000200] MIN SILVER PER QQ-S-365 ON CONTACT MATING END, 1.27μ [.000050] MIN SILVER ON REMAINDER, ALL OVER 1.27μ [.000050] MIN NICKEL PER QQ-N-290.  
RETENTION CLIP: 2.54μ [.000100] MIN NICKEL PER QQ-N-290.



3	12.32 [.485]	-	28.52 [1.123]	DETAIL X	213845-8
4	12.32 [.485]	-	28.52 [1.123]	DETAIL X	213845-7
3	12.32 [.485]	32.84 [1.293]	28.52 [1.123]	-	213845-6
4	12.32 [.485]	32.84 [1.293]	28.52 [1.123]	-	213845-5
3	10.16 [.400]	-	26.37 [1.038]	DETAIL X	213845-4
4	10.16 [.400]	-	26.37 [1.038]	DETAIL X	213845-3
3	10.16 [.400]	30.68 [1.208]	26.37 [1.038]	-	213845-2
4	10.16 [.400]	30.68 [1.208]	26.37 [1.038]	-	213845-1
FINISH	C	B	A	LOOSE PIECE	PART NUMBER

<small>THIS DRAWING IS A COMPUTER GENERATED FILE AND DIMENSIONS ARE SUBJECT TO CHANGE AND THE CONTROLLING ENGINEERING DEPARTMENT SHALL BE CONTACTED FOR THE LATEST REVISION.</small>		DWN H. G. LENKER 30 JUL 96 CHK R. STONE 05 AUG 96 APVD G. STEINHAUER 06 AUG 96	AMP AMP Incorporated Harrisburg, PA 17105-3508
DIMENSIONS: mm (INCHES)	TOLERANCES UNLESS OTHERWISE SPECIFIED: 0 PLC ±.01 1 PLC ±.02 2 PLC ±.03 3 PLC ±.04 4 PLC ±.05 ANGLES ±.01	NAME PIN CONTACT ASSEMBLY 14-12 AWG, .125 POWERBAND	SIZE A1
MATERIAL SEE TABLE		WEIGHT -	CAGE CODE 00779
		CUSTOMER DRAWING	DRAWING NO C-213845
		SCALE 10:1	SHEET 1 OF 1 REV B