

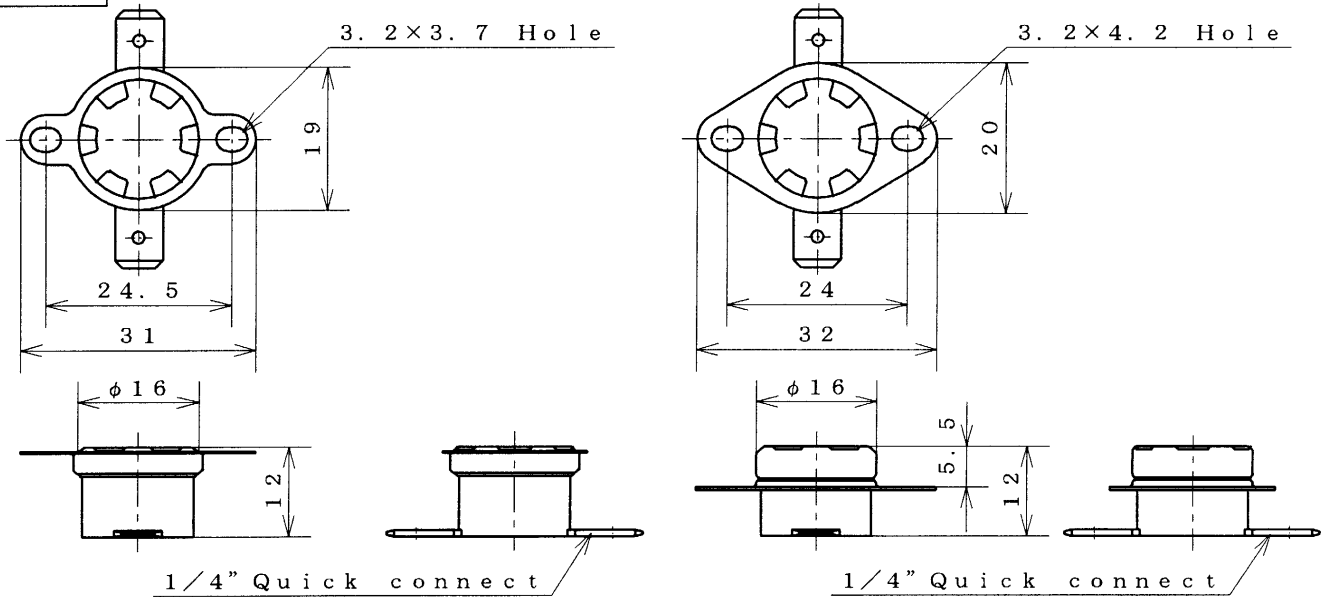


1/2" Disc Type Thermostat  
Automatic Reset

Type 03EN

UL·CSA·VDE·BEAB  
Recognized

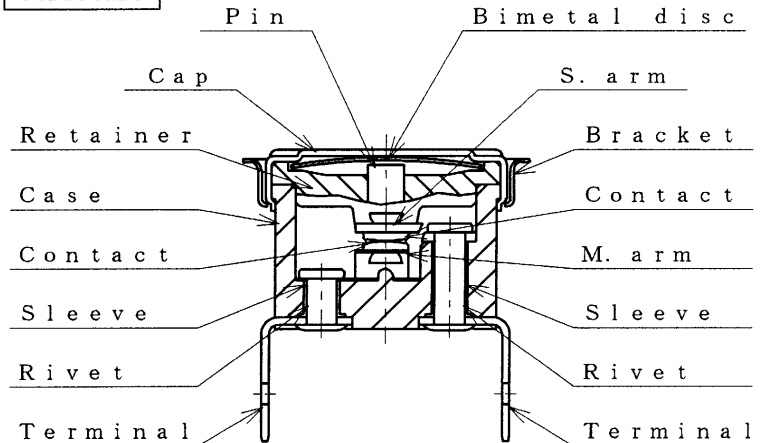
Dimensions



Materials of parts

Part	Material
Cap	Aluminum Copper Stainless steel
Case	Phenolic resin
M. arm	Beryllium Copper alloy
Terminals	Brass
Bracket	Stainless steel
Contacts	Silver-Nickel alloy

Structure



Specifications

Item	Specification
1. Basic features	SPST Automatic reset
2. Operation	A:Contacts open on temperature rise B:Contacts close on temperature rise
3. Electrical rating	UL:AC120V/15A AC240V/10A CSA:AC125V/15A AC250V/8A VDE, BEAB:AC250V/16A
4. Calibration method	Hot & cold air circulation system
5. Temperature rating	Operating temperature Max. 150°C
6. Insulation resistance	Not less than 1000MΩ/DC500V
7. Dielectric strength	Not less than AC1500V/1min. or AC1800V/1sec.

Standard

UL 873	UL File	No. E43273
CSA C22.2 No. 24	CSA Report	No. LR67165 LR67166
DIN EN 60730-1,-2-9	VDE Licence	No. 100896
BS EN 60730-1,-2-9	BEAB Certificate	No. C0901