

5

4

3

2

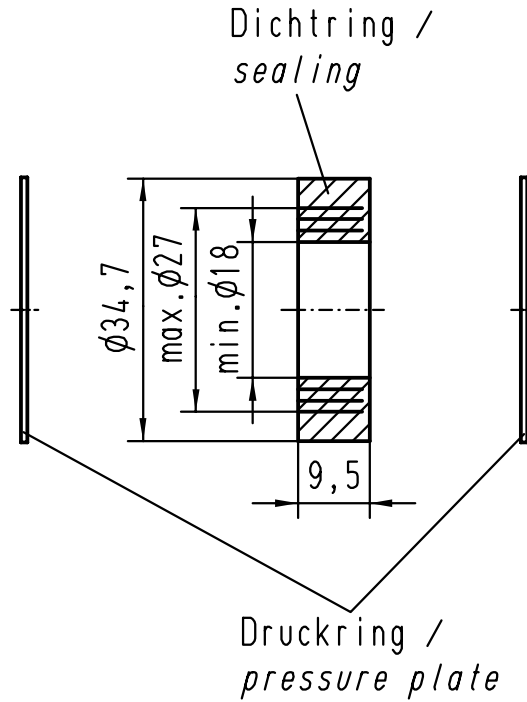
1



D

C

B

A



| | | | | | | | | |
|---|------|------|-------------------|----------|------|---|--|---|
|  All Dimensions in mm Original Size DIN A 4 | | | Techn. Character. | | | Nicht tolerierte Masse/ Free size tolerances | | |
| | | | | Dat. | Name | Massstab/Scale 1:1 | | Ausschneidbarer Dichtring / multiple seal, Pg 29 für Standard-Gehäuse / for standard housings |
| | | | Detail. | 07.12.98 | KR | | | |
| | | | Insp. | | SDT. | | | |
| | | | Stand. | | | | | |
| 24863 | | | HARTING KGaA | | |  | | TB 09 00 000 5031 |
| Mod. | Dat. | Name | D-32339 ESPELKAMP | | | | | |

Blatt/ page