

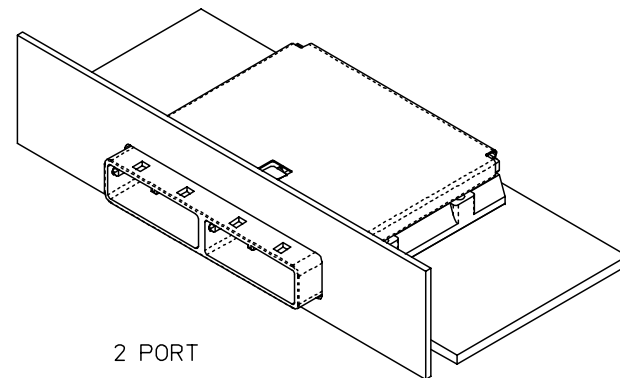
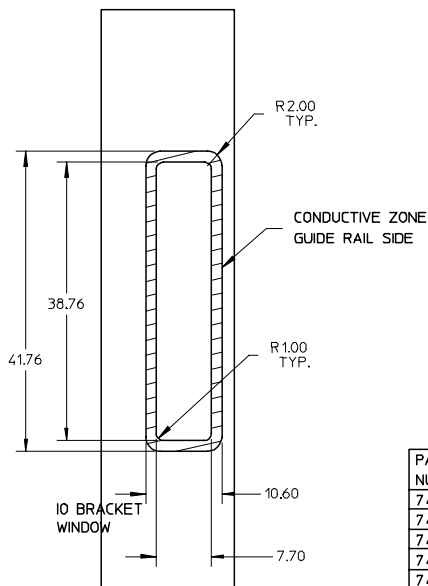
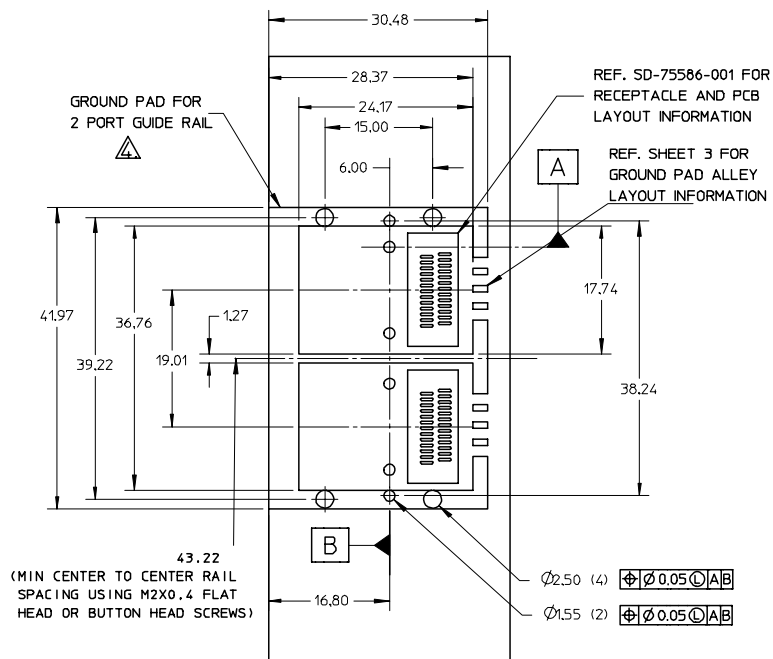
- NOTES:
1. PCB AND BRACKET SHOWN FOR REFERENCE ONLY.
  2. REF. SD-74547-100 FOR KEY POSITIONS
  3. GUIDE HOUSING MOUNTING THREAD= M2 X 0.40, SEE SHEET 3 FOR SCREW LENGTH + TORQUE SPEC.
  4. PLATE GROUND PAD WITH EMERSION SILVER OR GOLD.
  5. THIS PRODUCT MEETS THE RESTRICTION OF HAZARDOUS SUBSTANCES IN ELECTRICAL AND ELECTRONIC EQUIPMENT (RoHS) DIRECTIVE (2002/95/EC)
  6. GUIDE HOUSING PEGS FOR ALIGNMENT ONLY. DO NOT SOLDER.

PART NUMBER	PORT SIZE	SW	OAW	KEY(S) PORT1	KEY(S) PORT2	KEY(S) PORT3	KEY(S) PORT4	IDENTIFIERS
745480200	4	76.30	80.00	1	1	1	1	SATA - 'X' CABLES
745480203	4	76.30	80.00	2.4	2.4	2.4	2.4	SAS OUT PORT
745480204	4	76.30	80.00	4.6	4.6	4.6	4.6	SAS IN PORT
745480205	4	76.30	80.00	4	4	4	4	SAS UNIVERSAL PORT
745480212	4	76.30	80.00	7	7	7	7	SATA - 'M' CABLES

I-PASS IS A TRADE MARK OF MOLEX.

ENTER DESCRIPTION EC NO: USY2006-0457 DRWN: SNAVARRO 2006/06/12 CHKD: BREED 2006/06/13 APPR: DDOYE 2006/06/13	QUALITY SYMBOLS	GENERAL TOLERANCES (UNLESS SPECIFIED)	DIMENSION STYLE	SCALE	DESIGN UNITS	THIRD ANGLE PROJECTION
	▽=0	4 PLACES ± --- ± ---	MM ONLY	1:1	METRIC	
	▽=0	3 PLACES ± --- ± ---	DRAWN BY DATE	TITLE		
		2 PLACES ± 0.13 ± ---	SNAVARRO 2006/05/26	I-PASS 26CKT ZERO DEG. EMI GUIDE RAIL HOUSING ASSEMBLY, MULTI PORT		
	1 PLACE ± 0.25 ± ---	CHECKED BY DATE	MOLEX MOLEX INCORPORATED			
	ANGULAR ±1/2°	APPROVED BY DATE	SD-74548-200			
		MATERIAL NO.	DOCUMENT NO.			
		SEE CHART	SD-74548-200			
		DRAFT WHERE APPLICABLE MUST REMAIN WITHIN DIMENSIONS	SHEET NO. 1 OF 3			
			THIS DRAWING CONTAINS INFORMATION THAT IS PROPRIETARY TO MOLEX INCORPORATED AND SHOULD NOT BE USED WITHOUT WRITTEN PERMISSION			

F  
E  
D  
C  
B  
A



PART NUMBER	PORT SIZE	SW	OAW	KEY(S) PORT1	KEY(S) PORT2	IDENTIFIERS
745480202	2	38.26	41.96	1	1	SATA - 'X' CABLES
745480206	2	38.26	41.96	2,4	2,4	SAS OUT PORT
745480207	2	38.26	41.96	4,6	4,6	SAS IN PORT
745480208	2	38.26	41.96	4	4	SAS UNIVERSAL PORT
745480213	2	38.26	41.96	7	7	SATA - 'M' CABLES
745480215	2	38.26	41.96	4,6	2,4	SAS IN PORT - SAS OUT PORT
745480216	2	38.26	41.96	2,4	4,6	SAS OUT PORT - SAS IN PORT

I-PASS IS A TRADE MARK OF MOLEX.

ENTER DESCRIPTION EC NO: USY2006-0457 DRWN: SNAVARRO 2006/06/12 CHKD: BREED 2006/06/13 APPR: DDOYE 2006/06/13	DESCRIPTION QUALITY SYMBOLS ▽=0 ▽=0	GENERAL TOLERANCES (UNLESS SPECIFIED)		DIMENSION STYLE MM ONLY		SCALE 1:1	DESIGN UNITS METRIC	THIRD ANGLE PROJECTION	
			mm	INCH	DRAWN BY SNAVARRO	DATE 2006/05/26	TITLE I-PASS 26CKT ZERO DEG. EMI GUIDE RAIL HOUSING ASSEMBLY, MULTI PORT		
					CHECKED BY BREED	DATE 2006/05/26			
					APPROVED BY DDOYE	DATE 2006/05/26	MOLEX INCORPORATED		
		DRAFT WHERE APPLICABLE MUST REMAIN WITHIN DIMENSIONS		MATERIAL NO. SEE CHART		DOCUMENT NO. SD-74548-200		SHEET NO. 2 OF 3	

10 9 8 7 6 5 4 3 2

F

E

D

C

B

A

F

E

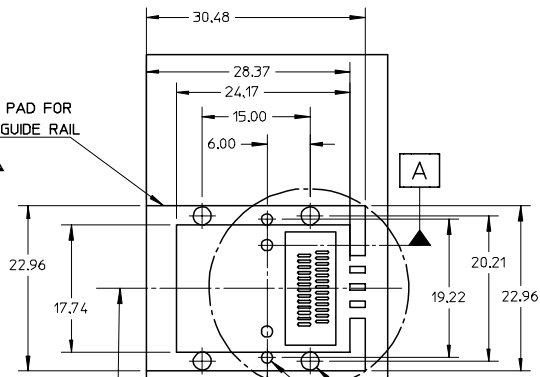
D

C

B

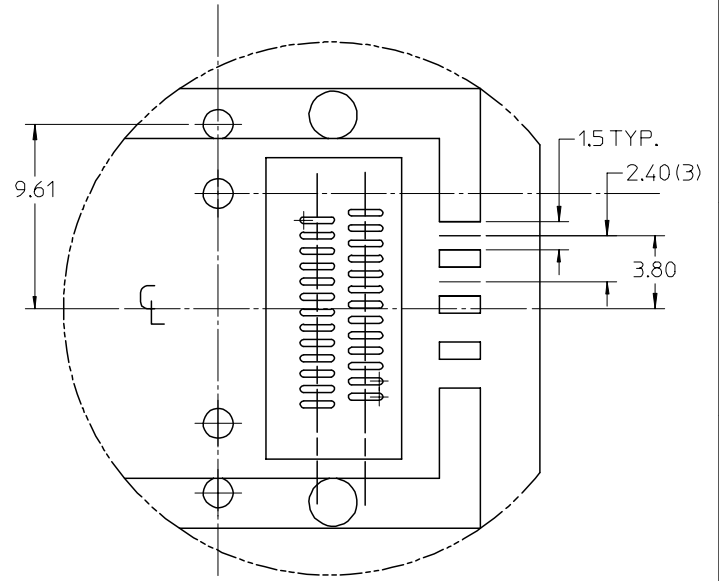
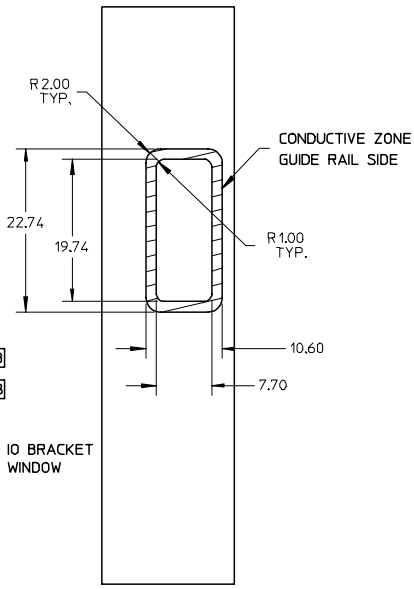
A

GROUND PAD FOR  
1 PORT GUIDE RAIL



24.21  
(MIN CENTER TO CENTER RAIL  
SPACING USING M2X0.4 FLAT  
HEAD OR BUTTON HEAD SCREWS)

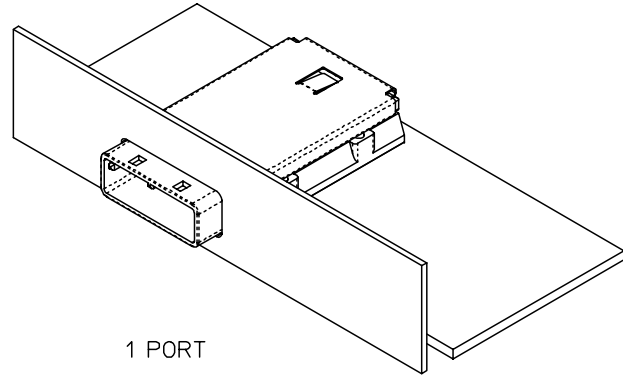
SEE DETAIL1



DETAIL1  
SCALE 4:1

PART NUMBER	PORT SIZE	SW	OAW	KEY(S)	IDENTIFIERS
745480201	1	19.24	22.95	1	SATA - 'X' CABLES
745480209	1	19.24	22.95	2.4	SAS OUT PORT
745480210	1	19.24	22.95	4.6	SAS IN PORT
745480211	1	19.24	22.95	4	SAS UNIVERSAL PORT
745480214	1	19.24	22.95	7	SATA - 'M' CABLES

PCB THICKNESS	SCREW LENGTH	TORQUE (IN LBS)
1.6 (.063")	5MM	2.3
2.38 (.093")	6MM	2.3
3.2 (.125")	6MM	2.3
X	+4MM MAX	2.3



IPASS™ IS A TRADE MARK OF MOLEX.

ENTER DESCRIPTION EC NO: USY2006-0457 DRWN: SNAVARRO 2006/06/12 CHKD: BREED 2006/06/13 APPR: DDOYE 2006/06/13	DESCRIPTION QUALITY SYMBOLS ▽=0 ▽=0	GENERAL TOLERANCES (UNLESS SPECIFIED)		DIMENSION STYLE MM ONLY		SCALE 1:1	DESIGN UNITS METRIC	THIRD ANGLE PROJECTION
		4 PLACES ± --- ± ---	DRAWN BY SNAVARRO	DATE 2006/05/26	TITLE I-PASS 26CKT ZERO DEG. EMI GUIDE RAIL HOUSING ASSEMBLY, MULTI PORT			
		3 PLACES ± --- ± ---	CHECKED BY BREED	DATE 2006/05/26				
		2 PLACES ± 0.13 ± ---	APPROVED BY DDOYE	DATE 2006/05/26	MOLEX MOLEX INCORPORATED			
1 PLACE ± 0.25 ± ---	ANGULAR ±1/2°	MATERIAL NO. SEE CHART		DOCUMENT NO. SD-74548-200	SHEET NO. 3 OF 3			
DRAFT WHERE APPLICABLE MUST REMAIN WITHIN DIMENSIONS			THIS DRAWING CONTAINS INFORMATION THAT IS PROPRIETARY TO MOLEX INCORPORATED AND SHOULD NOT BE USED WITHOUT WRITTEN PERMISSION					

9 8 7 6 5 4 3 2 1