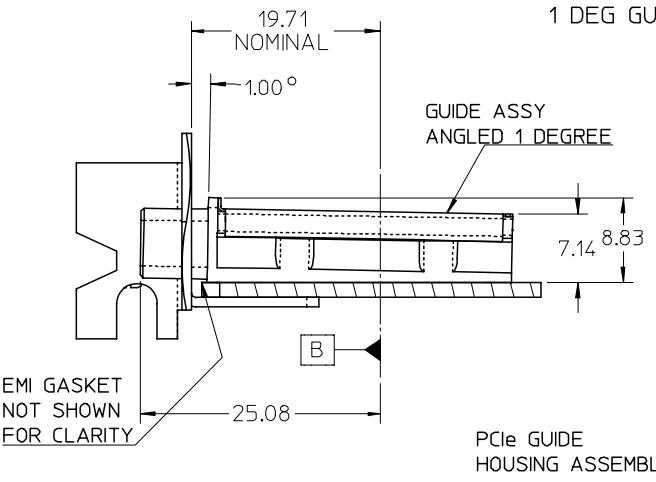


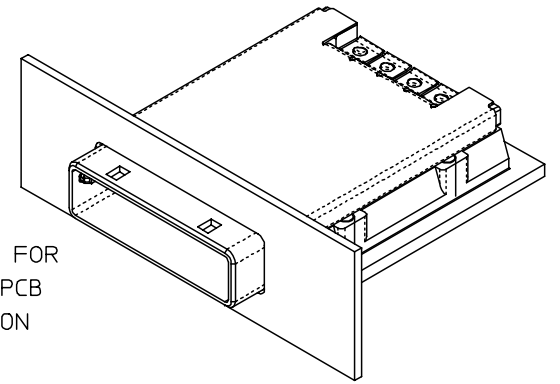
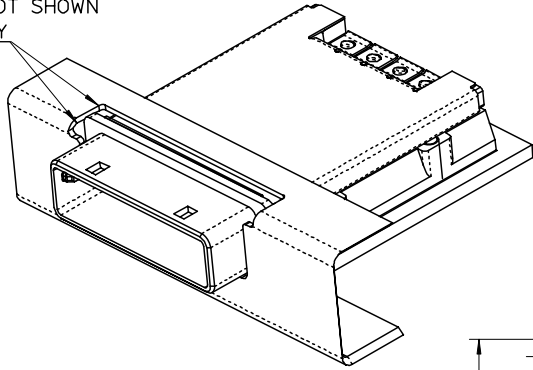
- NOTES:
- REF. PCI EXPRESS CARD ELECTROMECHANICAL SPECIFICATION, REV 1.0a FOR IO BRACKET WINDOW LOCATION.
  - PCB AND IO BRACKET SHOWN FOR REFERENCE ONLY.
  - REFER TO SHEET 2 FOR ATCA GUIDE HOUSING ASSEMBLY.
  - GUIDE HOUSING MOUNTING THREAD= M2 X 0.4, SEE SHEET 3 FOR SCREW LENGTH + TORQUE SPEC.
  - PCB NOTCH IS SHOWN FOR PCI COMPLIANT BOARD.
  - THIS PRODUCT MEETS THE RESTRICTION OF HAZARDOUS SUBSTANCES IN ELECTRICAL AND ELECTRONIC EQUIPMENT (RoHS) DIRECTIVE (2002/95/EC)
  - PLATE GROUND PAD WITH EMERSON SILVER OR GOLD.
  - MATES WITH MOLEX 4X CABLE SERIES 74546-040X.
  - GUIDE HOUSING PEGS FOR ALIGNMENT ONLY, DO NOT SOLDER.



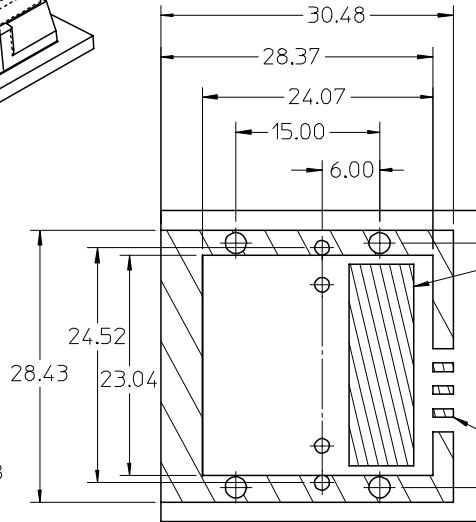
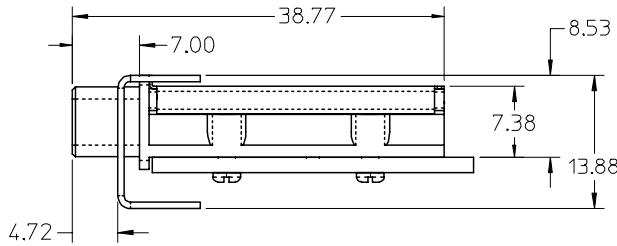
iPass™ is a trademark of Molex.

|   |                 |  |   |                              |  |                        |
|---|-----------------|--|---|------------------------------|--|------------------------|
| ENTER DESCRIPTION<br>EC NO: USY2006-0456<br>TDRWN: SNAVARRO 2006/06/12<br>CHKD: 2006/06/13<br>APPR: DDOYE 2006/06/15<br>REV DESCRIPTION | QUALITY SYMBOLS | GENERAL TOLERANCES (UNLESS SPECIFIED)  | DIMENSION STYLE   | SCALE                        | DESIGN UNITS                           | THIRD ANGLE PROJECTION |
|   | ▽=0<br>▽=0      | mm INCH<br>4 PLACES ± --- ± ---<br>3 PLACES ± --- ± ---<br>2 PLACES ± 0.05 ± ---<br>1 PLACE ± 0.10 ± ---<br>ANGULAR ± 1/2° | MM ONLY   | 2:1                          | METRIC                                 |                        |
|   |                 | DRAFT WHERE APPLICABLE MUST REMAIN WITHIN DIMENSIONS   | DRAWN BY DATE<br>BAREED 2005/02/03<br>CHECKED BY DATE<br>DDOYE 2005/02/03<br>APPROVED BY DATE<br>DDOYE 2005/02/03 | TITLE                        | IPASS X4 EMI GUIDE HOUSING ASSEMBLY    |                        |
|   |                 |  | MATERIAL NO.<br>SEE TABLE<br>SIZE B   | DOCUMENT NO.<br>SD-74540-400 | MOLEX INCORPORATED<br>SHEET NO. 1 OF 3 |                        |

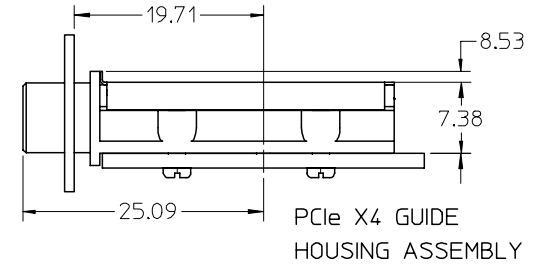
GASKETS NOT SHOWN FOR CLARITY



REF. SD-75586-001 FOR RECEPTACLE AND PCB LAYOUT INFORMATION

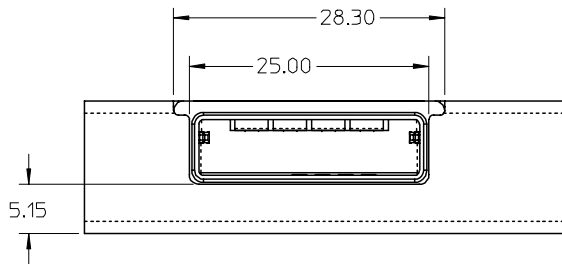


REF. SHEET 3 FOR GROUND PAD ALLEY LAYOUT INFORMATION



STANDARD APPLICATION SHOWN USING 0 DEGREE GUIDE HOUSING ASSEMBLY

iPass™ is a trademark of Molex.

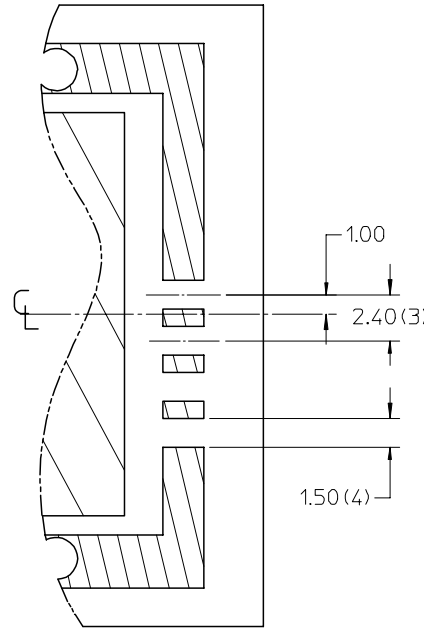


ADVANCED TCA APPLICATION SHOWN USING 0 DEGREE GUIDE HOUSING ASSEMBLY

|   |                 |   |  |   |                                     |                        |
|---|-----------------|---|--|---|-------------------------------------|------------------------|
| ENTER DESCRIPTION<br>EC NO: USY2006-0456<br>T1 DRWN: SNAVARRO 2006/06/12<br>CHKD: 2006/06/13<br>APPR: DDOYE 2006/06/15<br>REV DESCRIPTION | QUALITY SYMBOLS | GENERAL TOLERANCES (UNLESS SPECIFIED)   | DIMENSION STYLE  | SCALE   | DESIGN UNITS                        | THIRD ANGLE PROJECTION |
|   | ▽=0<br>▽=0      | mm INCH<br>4 PLACES ± --- ± ---<br>3 PLACES ± --- ± ---<br>2 PLACES ± 0.05 ± ---<br>1 PLACE ± 0.10 ± ---<br>ANGULAR ±1/2° | MM ONLY  | 2:1   | METRIC                              |                        |
|   |                 | DRAFT WHERE APPLICABLE MUST REMAIN WITHIN DIMENSIONS  | DRAWN BY DATE<br>BAREED 2005/02/03<br>CHECKED BY DATE<br>DDOYE 2005/02/03<br>APPROVED BY DATE<br>DDOYE 2005/02/03  | TITLE   | IPASS X4 EMI GUIDE HOUSING ASSEMBLY |                        |
|   |                 |   | MATERIAL NO. SEE TABLE<br>SIZE B THIS DRAWING CONTAINS INFORMATION THAT IS PROPRIETARY TO MOLEX INCORPORATED AND SHOULD NOT BE USED WITHOUT WRITTEN PERMISSION | MOLEX MOLEX INCORPORATED<br>DOCUMENT NO. SD-74540-400<br>SHEET NO. 2 OF 3 |                                     |                        |

| P/N       | DESCRIPTION                                  | GEN   |
|-----------|--|-------|
| 745400400 | 4X EMI Guide Housing Assembly - PCIe / 1 Deg | Gen 1 |
| 745400500 | 4X EMI Guide Housing Assembly - ATCA / 0 Deg | Gen 1 |

| PCB THICKNESS | SCREW LENGTH | TORQUE (IN LBS) |
|---------------|--------------|-----------------|
| 1.6 (.063")   | 5MM          | 2.3             |
| 2.38 (.093")  | 6MM          | 2.3             |
| 3.2 (.125")   | 6MM          | 2.3             |
| X             | +4MM MAX     | 2.3             |



PARTIAL1  
SCALE 4:1  
GROUND PAD ALLEY  
LAYOUT INFORMATION



|   |                 |   |   |  |              |                        |
|---|-----------------|---|---|--|--------------|------------------------|
| ENTER DESCRIPTION<br>EC NO: USY2006-0456<br>TDRWN: SNAVARRO 2006/06/12<br>CHKD: 2006/06/13<br>APPR: DDOYE 2006/06/15<br>REV DESCRIPTION | QUALITY SYMBOLS | GENERAL TOLERANCES (UNLESS SPECIFIED)   | DIMENSION STYLE   | SCALE  | DESIGN UNITS | THIRD ANGLE PROJECTION |
|   | ▽=0<br>▽=0      | mm INCH<br>4 PLACES ± --- ± ---<br>3 PLACES ± --- ± ---<br>2 PLACES ± 0.05 ± ---<br>1 PLACE ± 0.10 ± ---<br>ANGULAR ±1/2° | MM ONLY   | 1:1  | METRIC       |                        |
|   |                 | DRAFT WHERE APPLICABLE MUST REMAIN WITHIN DIMENSIONS  | DRAWN BY DATE<br>BAREED 2005/02/03<br>CHECKED BY DATE<br>DDOYE 2005/02/03<br>APPROVED BY DATE<br>DDOYE 2005/02/03 | TITLE<br>IPASS X4 EMI GUIDE HOUSING ASSEMBLY |              |                        |
|   |                 |   | MATERIAL NO.<br>SEE TABLE<br>SIZE B   | DOCUMENT NO.<br>SD-74540-400                 |              | SHEET NO.<br>3 OF 3    |