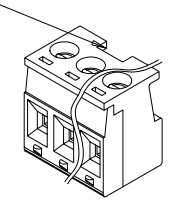
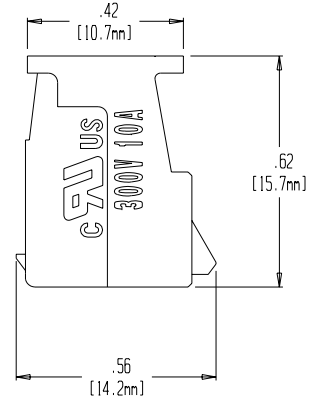


NOTES:
 SNAP FEATURES
 2 CKT 2 SNAPS
 3-24 CKT 3 SNAPS
 LOCATED ON ENDS AND
 ALIGNED WITH SCREWDRIVER
 REMOVAL SLOT

WINDOW ON PLUG
 ALIGNS WITH SNAP
 ON HEADER ALWAYS
 CENTERED ON PART
 OR ONE CIRCUIT TO
 THE LEFT OF CENTER



AUXILIARY VIEW
 SCALE 1:1



MATERIAL NO.	NUMBER OF CIRCUITS "XX"	DIM. "X"	DIM. "Y"	DIM. "Z"
39980-0302	02	.20	.200	.43
39980-0303	03	.40	.400	.63
39980-0304	04	.60	.400	.83
39980-0304	05	.80	.400	1.03
39980-0306	06	1.00	.600	1.23
39980-0307	07	1.20	.600	1.43
39980-0308	08	1.40	.800	1.63
39980-0309	09	1.60	.800	1.83
39980-0310	10	1.80	1.000	2.03
39980-0311	11	2.00	1.000	2.23
39980-0312	12	2.20	1.200	2.43
39980-0313	13	2.40	1.200	2.63
39980-0314	14	2.60	1.400	2.83
39980-0315	15	2.80	1.400	3.03
39980-0316	16	3.00	1.600	3.23
39980-0317	17	3.20	1.600	3.43
39980-0318	18	3.40	1.800	3.63
39980-0319	19	3.60	1.800	3.83
39980-0320	20	3.80	2.000	4.03
39980-0321	21	4.00	2.000	4.23
39980-0322	22	4.20	2.200	4.43
39980-0323	23	4.40	2.200	4.63
39980-0324	24	4.60	2.400	4.83

ITEM	QTY.	DESCRIPTION	MATERIAL	FINISH
4	XX	SCREW	STEEL	ZN, CLEAR CHROMATE
3	XX	RISING CAGE	BRASS	NICKEL
2	XX	TERMINAL	PHOS. BRONZE	TIN
1	1	INSULATOR	NYLON	BLACK

EC NO. RELEASED DRWN: RK CHK: APPR:	DESCRIPTION MAJOR CRITICAL SPC S	GENERAL TOLERANCES: (UNLESS SPECIFIED)		SCALE 3:1	DESIGN UNITS <input type="checkbox"/> mm <input checked="" type="checkbox"/> INCH	THIRD ANGLE PROJECTION	DIMENSIONS: <input type="checkbox"/> mm <input checked="" type="checkbox"/> INCH <input type="checkbox"/> mm <input type="checkbox"/> INCH	PROJECT NO. - DIMENSIONS: I SHT - REV	
		4 PLACES 3 PLACES 2 PLACES 1 PLACE	mm INCH ±.005 ±.01 ±.1	DRAWN BY & DATE R. KEMP 3-27-02	CHECKED BY & DATE	APPROVED BY & DATE	TITLE: SR PLUG ASSEMBLY	MOLEX INCORPORATED GILFORD, NH, 03246	MATERIAL NO. SEE CHART
DRAFT WHERE APPLICABLE MUST REMAIN WITHIN DIMENSIONS		ANGULAR: ±2°		CAD FILENAME 9809XX01	THIS DRAWING CONTAINS INFORMATION THAT IS PROPRIETARY TO MOLEX INCORPORATED AND SHOULD NOT BE USED WITHOUT WRITTEN PERMISSION.			SIZE B	