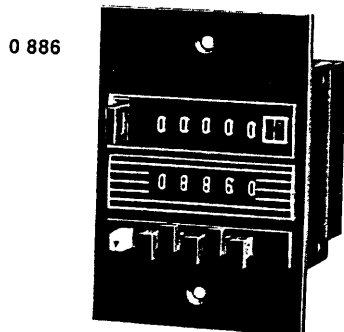
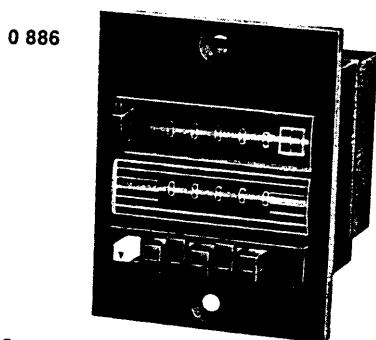


**Type 0 886**  
**Preset counter with standing preset, electrical reset can be integrated**  
**5-digit version**



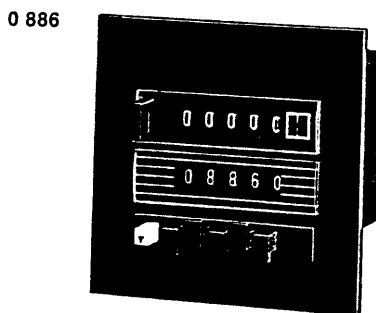
Voltage	With pushbutton reset Order number	With pushbutton and electrical reset Order number
12 V DC -	0 886 160	0 886 110
24 V DC -	<b>0 886 164</b>	<b>0 886 114</b>
24 V AC ~	0 886 186	0 886 136
<b>115 V AC ~</b>	<b>0 886 189</b>	<b>0 886 139</b>
220 V AC ~	0 886 190	0 886 140

**Screw mounting**  
**Front panel 56 mm x 80 mm**



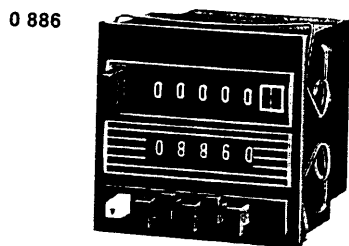
12 V DC -	0 886 260	0 886 210
24 V DC -	<b>0 886 264</b>	<b>0 886 214</b>
24 V AC ~	0 886 286	0 886 236
<b>115 V AC ~</b>	<b>0 886 289</b>	<b>0 886 239</b>
220 V AC ~	0 886 290	0 886 240

**Screw mounting**  
**Front panel 60 mm x 75 mm, corresponds with the Modular System 400.**



12 V DC -	0 886 360	0 886 310
24 V DC -	<b>0 886 364</b>	<b>0 886 314</b>
24 V AC ~	0 886 386	0 886 336
<b>115 V AC ~</b>	<b>0 886 389</b>	<b>0 886 339</b>
220 V AC ~	0 886 390	0 886 340

**Spring clamp mounting**  
**Front panel 72 mm x 72 mm, corresponds with measuring instrument sizes.**



12 V DC -	0 886 460	0 886 410
24 V DC -	<b>0 886 464</b>	<b>0 886 414</b>
24 V AC ~	0 886 486	0 886 436
<b>115 V AC ~</b>	<b>0 886 489</b>	<b>0 886 439</b>
220 V AC ~	0 886 490	0 886 440

**Spring clamp mounting**  
**Front panel 55 mm x 53 mm, suitable if space is tight.**

Versions printed in heavy type are available on short delivery.  
 If key reset is desired please quote the additional order number **1 405 465**.

## Applications and special characteristics

These 5-digit preset counters are used to count pulses representing numbers of items, weight, length, volume etc. An electrical reset facility can be integrated. The standing display of the preset value enables a continuous comparison to be made between it and the actual value.

Once the preset count has been reached, the control signal is given after the end of the last pulse. This control signal remains active until the counter is reset to zero.

The preset value can be changed while counting is in progress.

The interlock on the preset buttons can be released by pressing a white pushbutton.

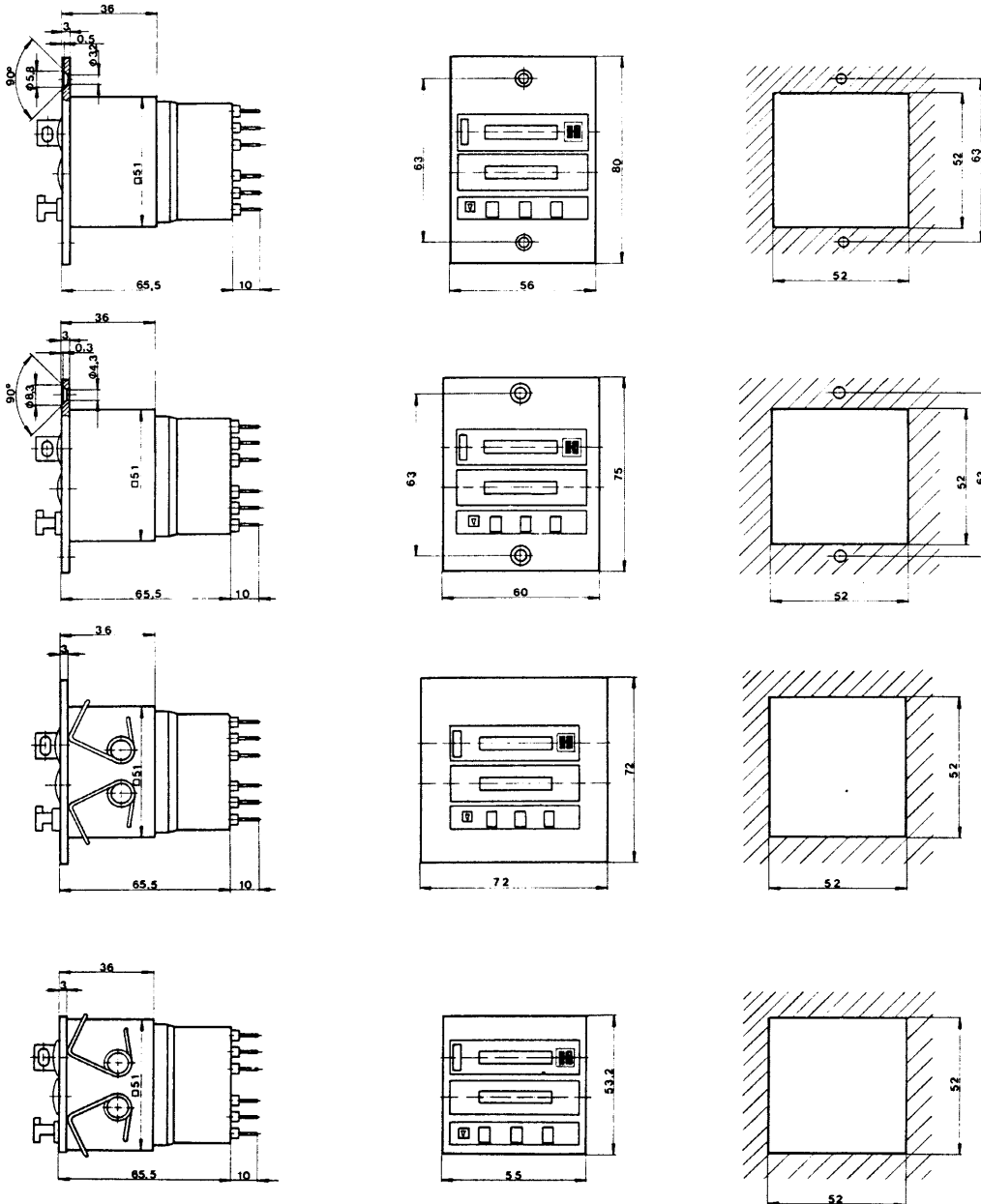
These counters meet VDE regulations and have UL approval.

### Technical Data

Technical Data	Counting solenoid		Reset solenoid		Units
	DC -	AC ~	DC -	AC ~	
Type of voltage	DC -	AC ~	DC -	AC ~	
Test speed	25	10	-	-	pulses/s
Power consumption	2.5	2.75	12	16	W/VA
Duty cycle at 25 °C max	100	100	20/2	10/1	%/min
Impulse/space ratio	1 : 1	1 : 1	1 : 5	1 : 10	
Min. pulse length	-	-	200	200	ms
Voltage tolerance	± 10	± 10	± 10	± 10	%
Maintenance-free operation	2 x 10 <sup>8</sup>		1.5 x 10 <sup>6</sup>		pulses
Environmental temp.	- 10 to + 50		- 10 to + 50		°C
Max. reset frequency	-		once per second	once every 2 seconds	
Contact loading	max. 20 VA / 220 V / 1 a				
Digit size	2 x 4		-		mm

Electrical connections: AMP flat plug 0.8 mm x 2.8 mm

### Dimensions in mm



### Connection diagram

#### Circuit symbol

IG = Pulse source  
R = Reset  
Z = Counter

