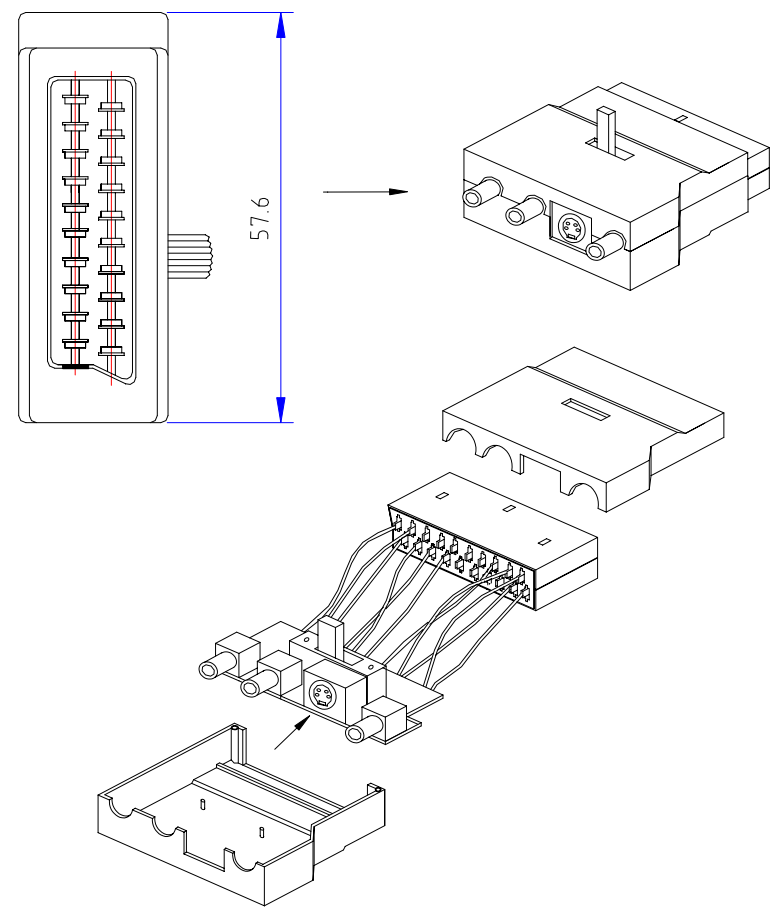
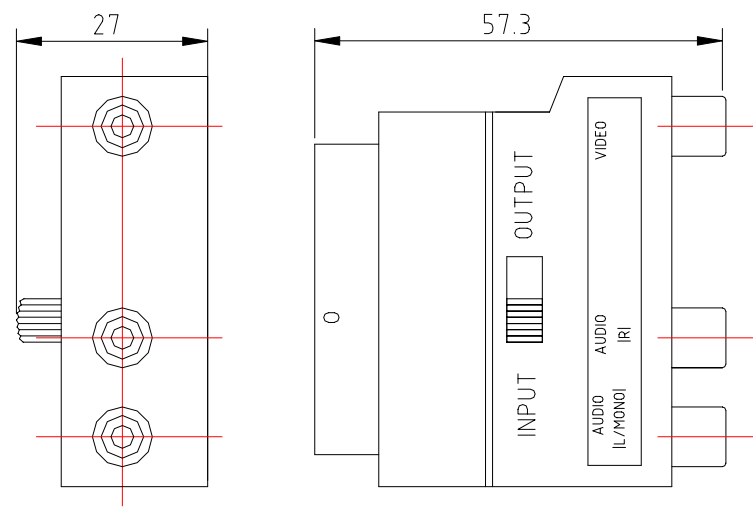
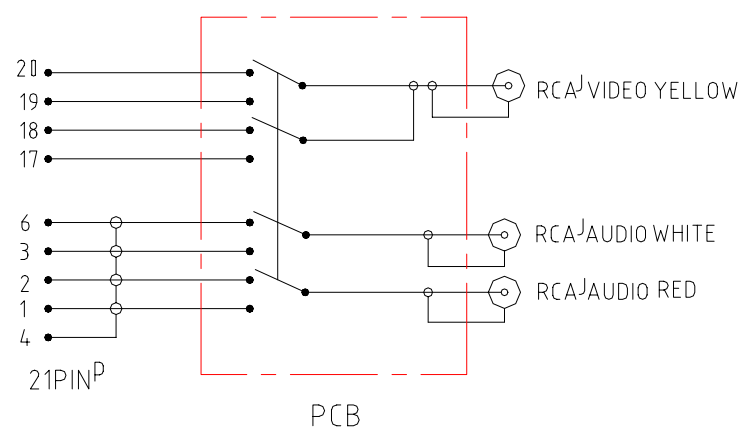


ECN Symbol	ECN No.	Descriptions	Date
			June 7 2003



WIRING DIAGRAM



Prepared	Neil Tang	Material			
Checked		Finish		Model	CN03806
Approved		Q'ty	VER.	SCALE	Parts
Unit mm					
Ref/No.		Page		JESMAY	