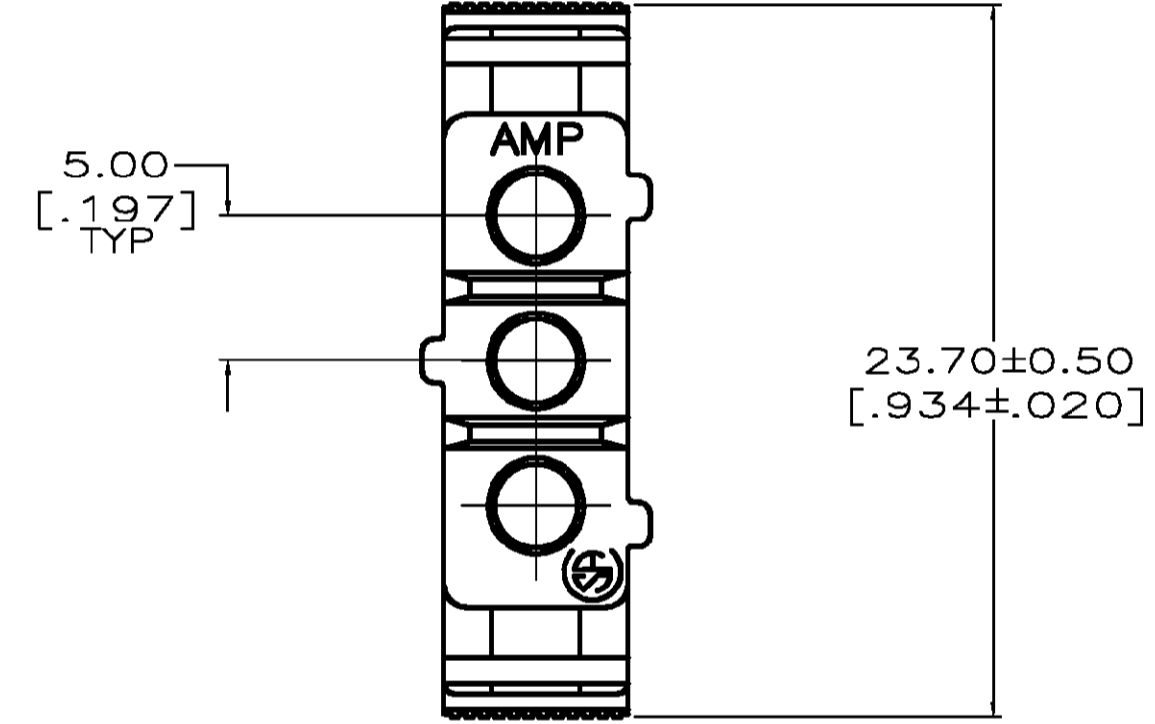
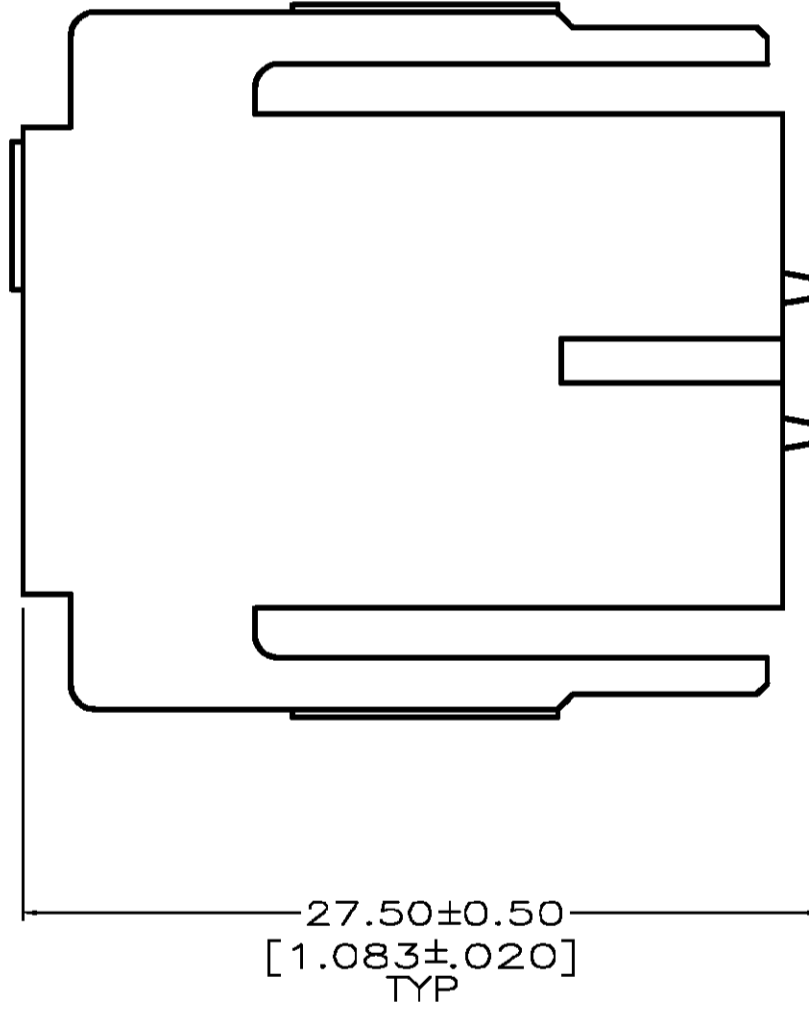
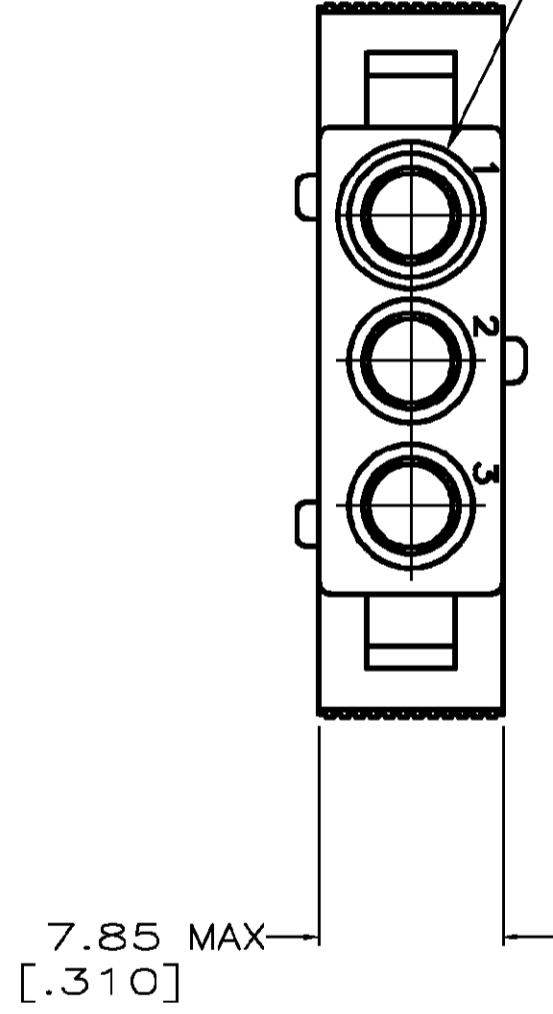


THIS DRAWING IS UNPUBLISHED. RELEASED FOR PUBLICATION
 © COPYRIGHT BY TYCO ELECTRONICS CORPORATION. ALL RIGHTS RESERVED.

LOC	DIST	REVISIONS			
P	LTR	DESCRIPTION	DATE	DWN	APVD
FT	13	G	REVISED PER 0G3B-0158-02	8/27/02	SS HW

NOTES:
 1 SUPERSEDED BY 207360-1.

RAISED CAVITY IDENTIFICATION
 ON REAR FACE ONLY.



SUPERSEDED	207360-2
	207360-1
PART NUMBER	

THIS DRAWING IS A CONTROLLED DOCUMENT.		DWN J.GALLUCCI 14 AUG 91	Tyco Electronics Corporation Harrisburg, PA 17105	
DIMENSIONS: MM		CHK J.McCLINTON 23 SEP 91	APVD A TRAVIS 23 SEP 91	
TOLERANCES UNLESS OTHERWISE SPECIFIED:		PRODUCT SPEC 108-10033		
0 PLC ± -		APPLICATION SPEC		
1 PLC ± -		WEIGHT -		
2 PLC ± 0.25 [.010]		SIZE A2 CAGE CODE 00779 DRAWING NO C-207360 RESTRICTED TO -		
3 PLC ± -		SCALE 4:1 SHEET 1 OF 1 REV G		
4 PLC ± -				
ANGLES ± -				
FINISH -				
MATERIAL THERMOPLASTIC		CUSTOMER DRAWING		