

TECHNICAL CHARACTERISTICS

MATERIAL  
 INSULATOR: LCP  
 FLAMABILITY RATING: UL94-V0  
 COLOR: WHITE  
 CONTACT MATERIAL: COPPER ALLOY  
 CONTACT TYPE: STAMPED  
 CONTACT PLATING: SELECTIVE GOLD  
 SHIELDING: COPPER ALLOY

QUALITY CLASS: 10000 MATING CYCLES

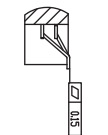
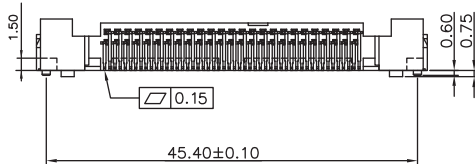
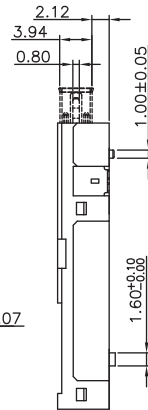
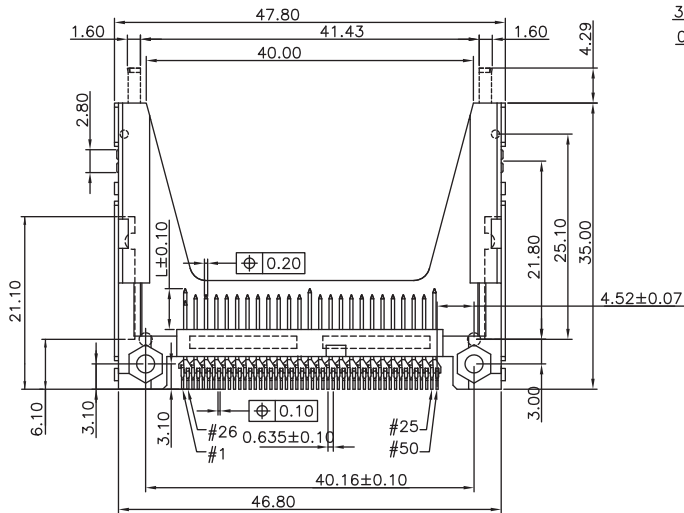
ENVIRONMENTAL  
 OPERATING TEMPERATURE: -25 UP TO 85°C  
 COMPLIANCE: LEAD FREE AND ROHS

ELECTRICAL  
 CURRENT RATING: 0.5A  
 WORKING VOLTAGE: 100VAC  
 INSULATOR RESISTANCE: >1000 MOHM  
 DIELECTRIC WITHSTANDING VOLTAGE: 500VAC/MN  
 CONTACT RESISTANCE: 40 MOHM MAX

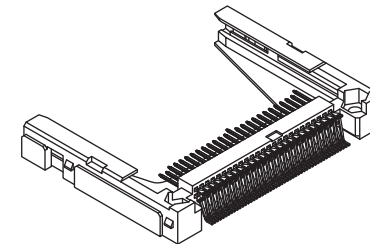
SOLDERING  
 REFLOW PROCESS ONLY

PACKAGING  
 TAPE & REEL

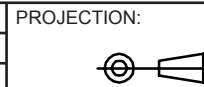
Pin type	Interface Dim. L	Pin No.
POWER	5.00mm	1,13,38,50
GENERAL	4.25mm	all other pins
DETECT	3.50mm	25,26



SOLDER POSITION



RoHS Compliant			
B	12-FEB-17	TKP	GG
A	11-AUG-31	PDF	GG
REV	DATE	FILE	BY



GENERAL TOLERANCE  
 .X = +/- 0.2  
 .XX = +/- 0.15



APPROVAL: RJ

UNIT: MM  
 SCALE:  
 SHEET: 1/2  
 DRAW: VICKY

DESCRIPTION: Compact Flash Card Connector - Header - Reverse type  
 50 pins  
 WERI PART NO: 693 120 025 011

SIZE  
**A4**

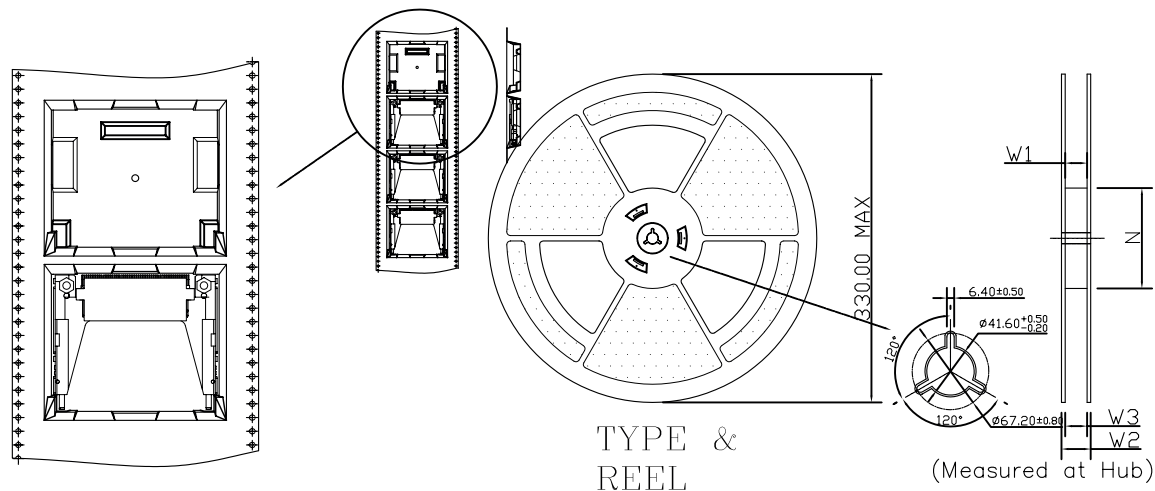
1

2

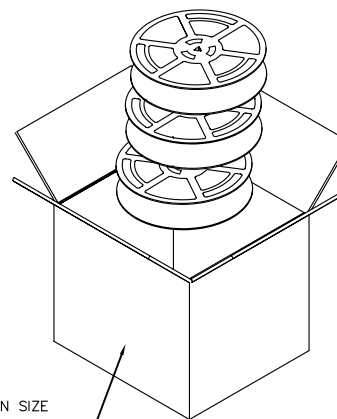
3

4

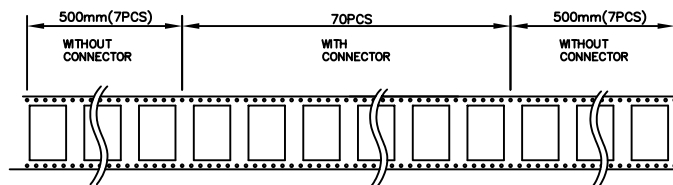
5



Tape Size	N (Min)	W1 $\pm 2.00$ $-0.50$	W2(Max)	W3(Max)
72	100	72.4	78.4	75.4



- NOTES
1. MATERIALS: PS (BLUE)
  2. PACKING: 70PCS/TYPE & REEL (210PCS/CARTON)



RoHS Compliant				PROJECTION:	GENERAL TOLERANCE		DESCRIPTION: Compact Flash Card Connector - Header - Reverse type 50 pins WERI PART NO: 693 120 025 011	SIZE <b>A4</b>
					.X = $\pm 0.2$ .XX = $\pm 0.15$			
				APPROVAL: RJ	UNIT: MM			
					SCALE:			
					SHEET: 2/2			
REV	DATE	FILE	BY		DRAW: VICKY			

A

B

C

D