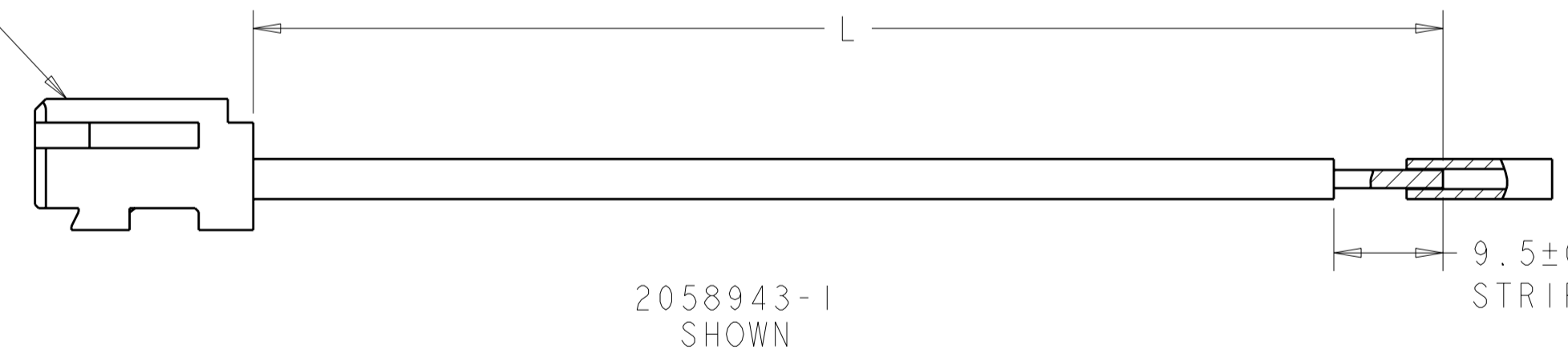
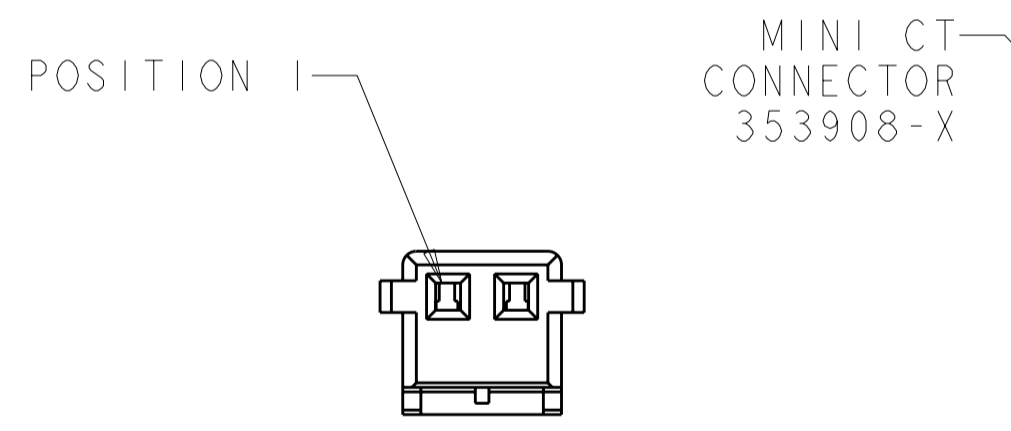
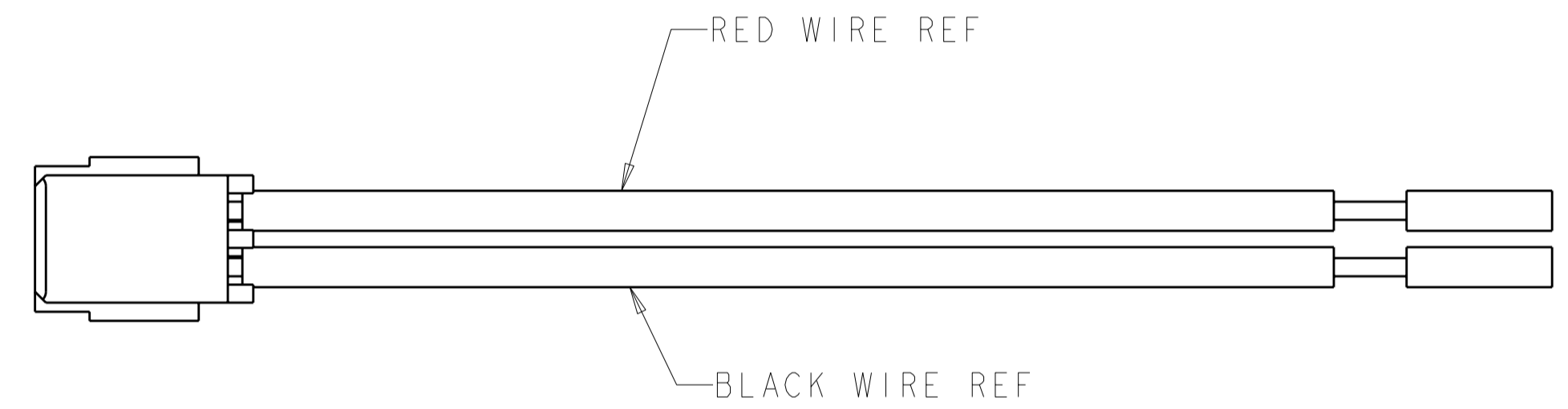


THIS DRAWING IS UNPUBLISHED. RELEASED FOR PUBLICATION 20
 © COPYRIGHT 20 BY TYCO ELECTRONICS CORPORATION. ALL RIGHTS RESERVED.

LOC		DIST		REVISIONS			
P	LTR	DESCRIPTION	DATE	DWN	APVD		
-	-	AI	REVISED PER ECR-09-023823	03NOV2009	HMR	DD	

NOTES:

- △ MATERIALS AND FINISH:
 - HOUSING: NYLON, COLOR: WHITE
 - CONTACTS: COPPER ALLOY, FINISH: PRE-TINNED
 - WIRE: 24 AWG, UL 1061 STYLE
- 2. MUST COMPLY WITH DIRECTIVE 2002/95/EC (ROHS)
- △ REFER TO TABLE FOR WIRE COLOR
- △ PRELIMINARY NOT FOR PRODUCTION



2058943-1 SHOWN

△ 3	WIRE COLOR				
6	-	-	-	-	WHITE
5	-	-	-	YELLOW	YELLOW
4	-	-	ORANGE	ORANGE	ORANGE
3	-	BLUE	BLUE	BLUE	BLUE
2	BLACK	BLACK	BLACK	BLACK	BLACK
1	RED	RED	RED	RED	RED
POSITION	-1	-2	-3	-4	-5

△ 4	609.6	2058943-6	2
	158.8	2058943-5	6
		2058943-4	5
		2058943-3	4
		2058943-2	3
		2058943-1	2
	"L"	PART NO.	POS

THIS DRAWING IS A CONTROLLED DOCUMENT FOR TYCO ELECTRONICS CORPORATION. IT IS SUBJECT TO CHANGE AND THE CONTROLLING ENGINEERING ORGANIZATION SHOULD BE CONTACTED FOR THE LATEST REVISION.		DWN C. DAILY 02FEB2009	Tyco Electronics Harrisburg, PA 17105-3608	
DIMENSIONS: mm		CHK M. GALLOWAY 02FEB2009	NAME CABLE ASSEMBLY MINI-CT	
TOLERANCES UNLESS OTHERWISE SPECIFIED: 0 PLC ± 1 PLC ± 2 PLC ± 3 PLC ± 4 PLC ± ANGLES ± FINISH		APVD -	PRODUCT SPEC -	APPLICATION SPEC 114-5245
MATERIAL		WEIGHT -	SIZE A200779	CAGE CODE C-2058943
CUSTOMER DRAWING		SCALE 6:1	SHEET 1	OF 1
		REV AI		