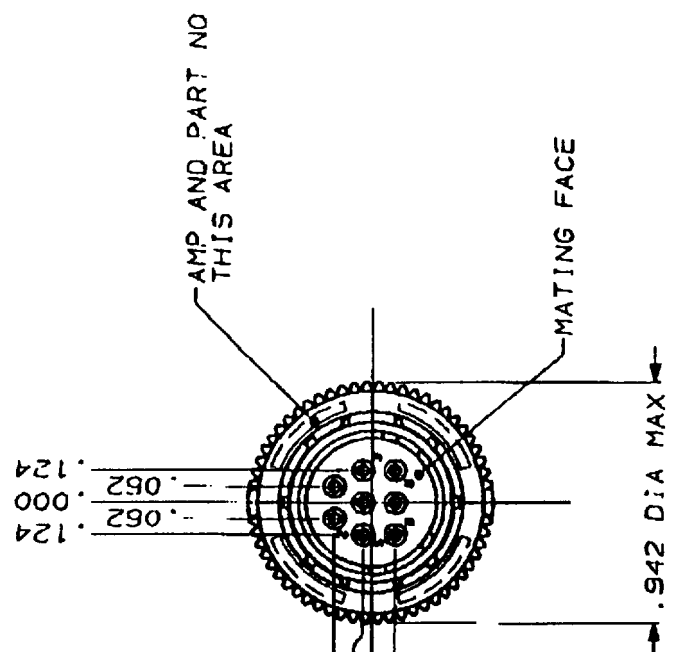
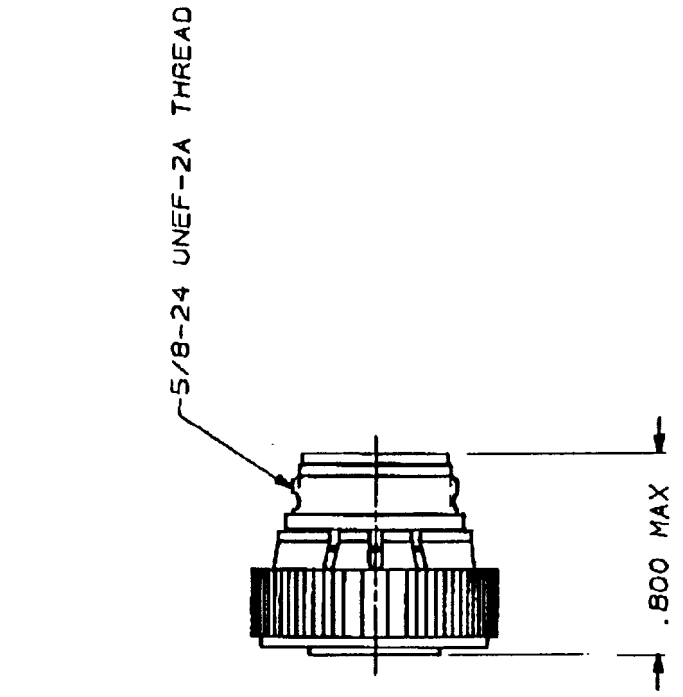


THIS DRAWING IS UNPUBLISHED. RELEASED FOR PUBLICATION BY AMP INCORPORATED. ALL INTERNATIONAL RIGHTS RESERVED.

593 047


| | | | | | |
|------|-----|-----|-----|-------------------|-----------|
| MOD | LOC | QTY | REV | DATE | APPRO |
| 4 | BD | 35 | | 4/3/91 | KB |
| ZONE | | | LTR | DESCRIPTION | REVISIONS |
| E1 | | | E | ADDED -2 NPR 4832 | REDRAWN |
| E1 | | | | | AF |



1. CONTACT CAVITIES IDENTIFIED BY CHARACTERS ON FRONT AND REAR FACES OF CONNECTOR.
2. WILL ACCEPT EIGHT SIZE 20 SOCKET CONTACTS.

| | |
|---------------------|----------|
| SMALL PACK STANDARD | 205838-2 |
| PACKAGING | 205838-1 |
| PART NUMBER | |

| | |
|---|---|
| <p>AMP AMP Incorporated Harrisburg, PA 17105-3508</p> | |
| DR. VALUE OR CHK. VALUE TOLERANCES IN INCHES 3 PL. DEC & .005 ANGLES MATERIAL THERMOPLASTIC, BLACK FINISH | NAME PLUG ASSEMBLY, STD SEX, SERIES 2, 11-8, CPC PRODUCT SPEC 108-10024 APPLICATION SPEC WEIGHT |
| SIZE B | DRAWING NO 00779 SCALE 2:1 |
| PART NUMBER 205838 1 OF 1 | |