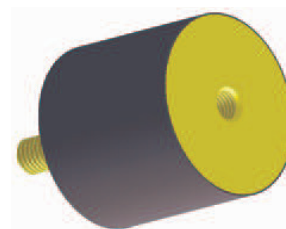
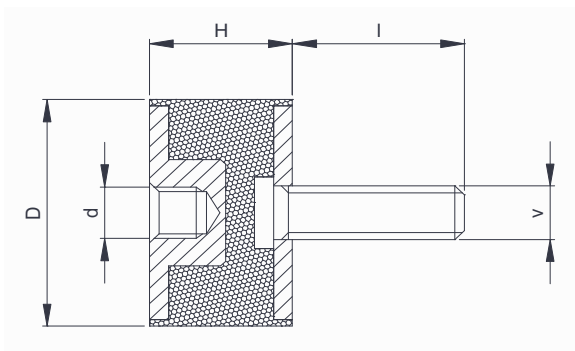
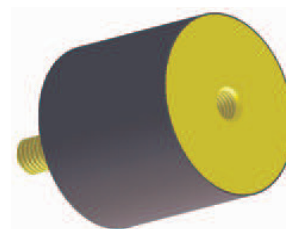
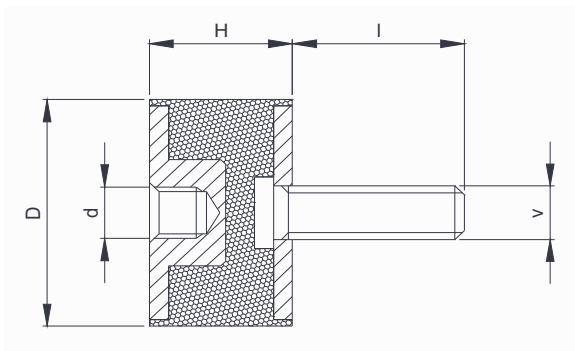


TYPE VD



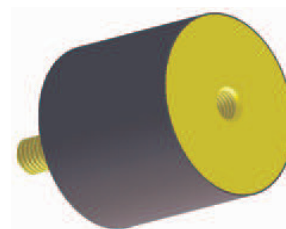
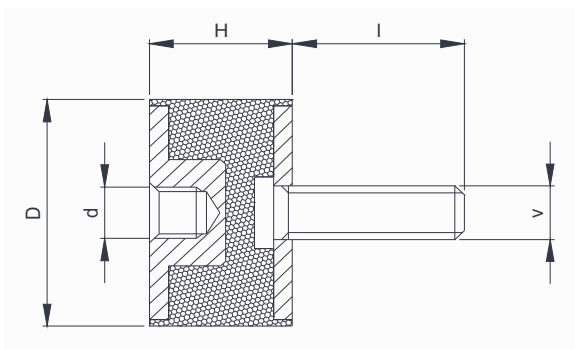
Codice Fibet	D	H	d	M x l	Rigidità 45 IRHD (daN/mm)	Rigidità 60 IRHD (daN/mm)	Rigidità 70 IRHD (daN/mm)	Deflessione statica max. (mm)
Item Fibet	D	H	d	M x l	Stiffness 45 IRHD (daN/mm)	Stiffness 60 IRHD (daN/mm)	Stiffness 70 IRHD (daN/mm)	Max static deflection (mm)
Artikelnummer Fibet	D	H	d	M x l	Federrate 45 IRHD (daN/mm)	Federrate 60 IRHD (daN/mm)	Federrate 70 IRHD (daN/mm)	Maximale statische Einfederung (mm)
1008VD10	10	8	M4	M4X10	4.0	7.3	10.3	1.6
1413VD10	14	13	M4	M4X10	3.7	7.3	10.1	2.6
1615VD10	16	15	M4	M4X10	4.6	8.5	11.8	3.0
2015VD18	20	15	M6	M6X18	7.8	7.8	7.8	3.0
2020VD18	20	20	M6	M6X18	4.5	8.4	11.6	4.0
2025VD18	20	25	M6	M6X18	3.1	5.6	8.0	5.0
2030VD18	20	30	M6	M6X18	2.1	3.8	5.3	6.0
2515VD18	25	15	M6	M6X18	15.4	29.2	40.8	3.0
2520VD18	25	20	M6	M6X18	10.3	18.8	25.0	4.0
2520VD20	25	20	M8	M8X20	10.3	18.8	25.0	4.0
2522VD20	25	22	M8	M8X20	8.2	15.6	20.6	4.4
2525VD18	25	25	M6	M6X18	6.1	11.4	15.7	5.0
2525VD20	25	25	M8	M8X20	6.1	11.4	15.7	5.0
2530VD18	25	30	M6	M6X18	4.4	8.5	11.1	6.0
2530VD20	25	30	M8	M8X20	4.4	8.5	11.1	6.0
3015VD20	30	15	M8	M8X20	20.9	30.3	53.6	3.0
3020VD20	30	20	M8	M8X20	13.1	22.4	33.1	4.0
3022VD20	30	22	M8	M8X20	11.1	19.4	26.7	4.4
3025VD20	30	25	M8	M8X20	8.3	14.3	19.5	5.0
3030VD20	30	30	M8	M8X20	6.0	11.2	15.0	6.0

TYPE VD



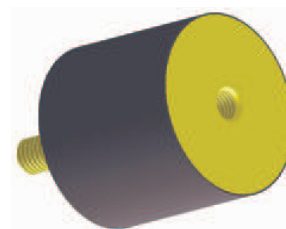
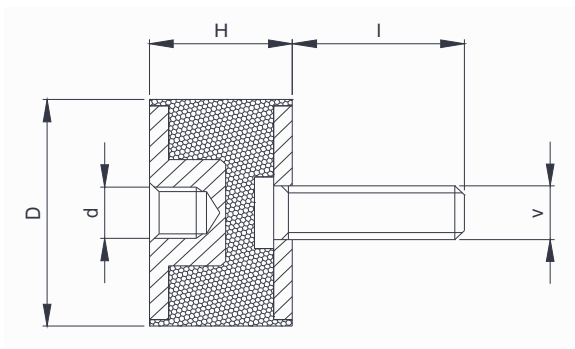
Codice Fibet	D	H	d	M x l	Rigidità 45 IRHD (daN/mm)	Rigidità 60 IRHD (daN/mm)	Rigidità 70 IRHD (daN/mm)	Deflessione statica max. (mm)
Item Fibet	D	H	d	M x l	Stiffness 45 IRHD (daN/mm)	Stiffness 60 IRHD (daN/mm)	Stiffness 70 IRHD (daN/mm)	Max static deflection (mm)
Artikelnummer Fibet	D	H	d	M x l	Federrate 45 IRHD (daN/mm)	Federrate 60 IRHD (daN/mm)	Federrate 70 IRHD (daN/mm)	Maximale statische Einfederung (mm)
3040VD20	30	40	M8	M8X20	4.0	7.8	10.3	8.0
4020VD23	40	20	M8	M8X23	26.3	49.4	68.1	4.0
4020VD25	40	20	M10	M10X25	26.3	49.4	68.1	4.0
4025VD25	40	25	M10	M10X25	18.6	34.8	47.6	5.0
4028VD25	40	28	M10	M10X25	15.0	27.9	38.3	5.6
4030VD23	40	30	M8	M8X23	13.1	24.6	34.2	6.0
4030VD25	40	30	M10	M10X25	13.1	24.6	34.2	6.0
4035VD23	40	35	M8	M8X23	10.0	18.4	25.8	7.0
4035VD25	40	35	M10	M10X25	10.0	18.4	25.8	7.0
4040VD23	40	40	M8	M8X23	8.3	15.3	21.1	8.0
4040VD25	40	40	M10	M10X25	8.3	15.3	21.1	8.0
4045VD25	40	45	M10	M10X25	8.3	15.3	21.1	9.0
5020VD25	50	20	M10	M10X25	58.0	109.3	150.7	4.0
5025VD25	50	25	M10	M10X25	40.5	75.5	104.5	5.0
5030VD25	50	30	M10	M10X25	28.0	51.6	71.2	6.0
5035VD25	50	35	M10	M10X25	20.3	37.7	52.0	7.0
5040VD25	50	40	M10	M10X25	14.3	26.9	37.1	8.0
5045VD25	50	45	M10	M10X25	11.3	21.0	29.3	9.0
5050VD25	50	50	M10	M10X25	9.1	17.3	23.8	10.0
6030VD25	60	30	M10	M10X25	44.4	82.4	113.6	6.0

TYPE VD



Codice Fibet	D	H	d	M x l	Rigidità 45 IRHD (daN/mm)	Rigidità 60 IRHD (daN/mm)	Rigidità 70 IRHD (daN/mm)	Deflessione statica max. (mm)
Item Fibet	D	H	d	M x l	Stiffness 45 IRHD (daN/mm)	Stiffness 60 IRHD (daN/mm)	Stiffness 70 IRHD (daN/mm)	Max static deflection (mm)
Artikelnummer Fibet	D	H	d	M x l	Federrate 45 IRHD (daN/mm)	Federrate 60 IRHD (daN/mm)	Federrate 70 IRHD (daN/mm)	Maximale statische Einfederung (mm)
6036VD25	60	36	M10	M10X25	35.2	65.5	90.3	7.2
6036VD37	60	36	M12	M12X37	35.2	65.5	90.3	7.2
6040VD25	60	40	M10	M10X25	28.9	53.7	73.1	8.0
6040VD37	60	40	M12	M12X37	28.9	53.7	73.1	8.0
6045VD25	60	45	M10	M10X25	23.0	42.8	59.3	9.0
6045VD37	60	45	M12	M12X37	23.0	42.8	59.3	9.0
6050VD37	60	50	M12	M12X37	18.2	34.0	46.9	10.0
6055VD37	60	55	M12	M12X37	15.0	28.0	38.2	11.0
6535VD25	65	35	M10	M10X25	44.3	82.3	114.0	7.0
6545VD37	65	45	M12	M12X37	25.8	47.5	66.0	9.0
6550VD37	65	50	M12	M12X37	19.6	36.2	50.2	10.0
7030VD25	70	30	M10	M10X25	72.9	135.8	185.4	6.0
7035VD25	70	35	M10	M10X25	53.1	105.9	145.9	7.0
7035VD37	70	35	M12	M12X37	53.1	105.9	145.9	7.0
7040VD25	70	40	M10	M10X25	42.1	78.2	107.9	8.0
7040VD37	70	40	M12	M12X37	42.1	78.2	107.9	8.0
7045VD25	70	45	M10	M10X25	33.1	61.3	82.3	9.0
7050VD25	70	50	M10	M10X25	26.6	49.3	68.2	10.0
7050VD37	70	50	M12	M12X37	26.6	49.3	68.2	10.0
7060VD25	70	60	M10	M10X25	21.5	39.6	54.8	12.0

TYPE VD



Codice Fibet	D	H	d	M x l	Rigidità 45 IRHD (daN/mm)	Rigidità 60 IRHD (daN/mm)	Rigidità 70 IRHD (daN/mm)	Deflessione statica max. (mm)
Item Fibet	D	H	d	M x l	Stiffness 45 IRHD (daN/mm)	Stiffness 60 IRHD (daN/mm)	Stiffness 70 IRHD (daN/mm)	Max static deflection (mm)
Artikelnummer Fibet	D	H	d	M x l	Federrate 45 IRHD (daN/mm)	Federrate 60 IRHD (daN/mm)	Federrate 70 IRHD (daN/mm)	Maximale statische Einfederung (mm)
7070VD25	70	70	M10	M10X25	17.3	32.2	44.7	14.0
7540VD37	75	40	M12	M12X37	45.3	84.7	116.8	8.0
7550VD37	75	50	M12	M12X37	33.4	62.7	86.6	10.0
7555VD37	75	55	M12	M12X37	26.1	49.4	68.0	11.0
8030VD35	80	30	M14	M14X35	115.8	219.6	302.1	6.0
8040VD35	80	40	M14	M14X35	61.8	115.3	159.7	8.0
8050VD35	80	50	M14	M14X35	40.9	77.3	106.1	10.0
8050VD37	80	50	M12	M12X37	40.9	77.3	106.1	10.0
8060VD35	80	60	M14	M14X35	27.4	51.5	70.6	12.0
8070VD35	80	70	M14	M14X35	21.1	39.4	54.1	14.0
8080VD35	80	80	M14	M14X35	17.3	31.9	43.8	16.0
10040VD44	100	40	M14	M16X44	118.8	215.6	296.9	8.0
10050VD44	100	50	M16	M16X44	71.4	128.6	178.6	10.0
10055VD44	100	55	M16	M16X44	58.5	109.6	151.1	11.0
10060VD44	100	60	M16	M16X44	51.0	92.3	128.8	12.0
10075VD44	100	75	M16	M16X44	32.8	58.2	80.6	15.0
100100VD44	100	100	M16	M16X44	18.5	32.6	45.7	20.0