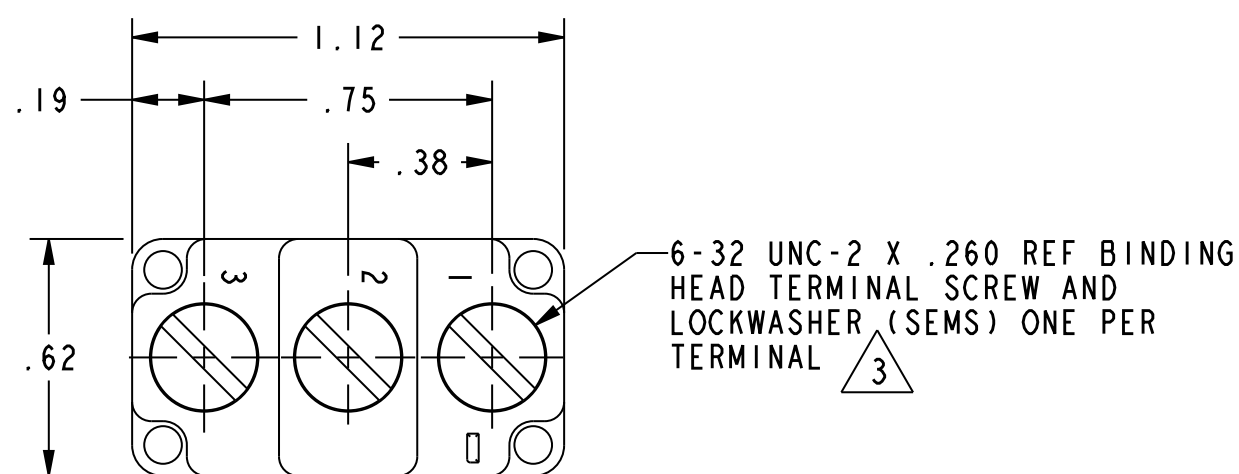
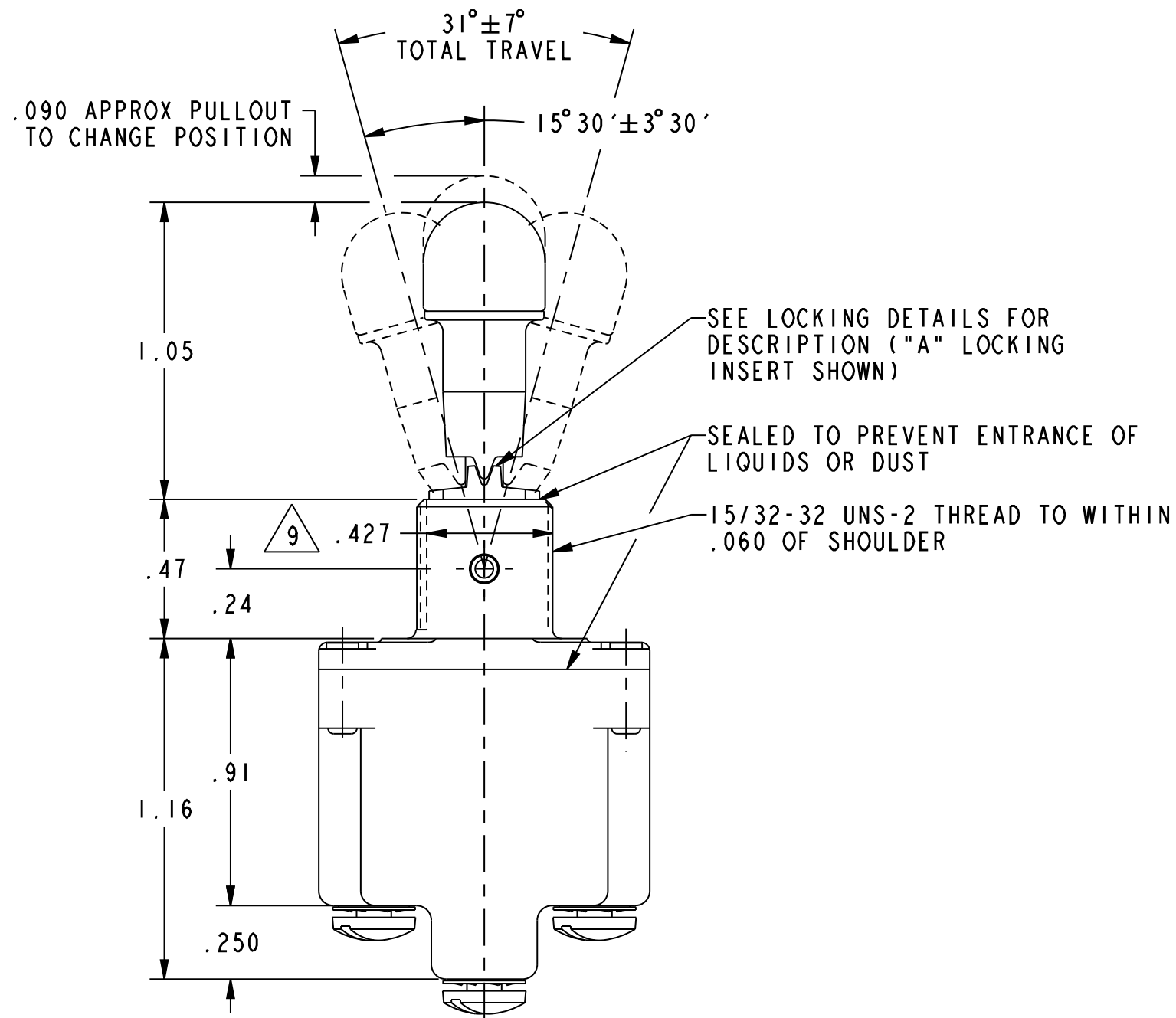
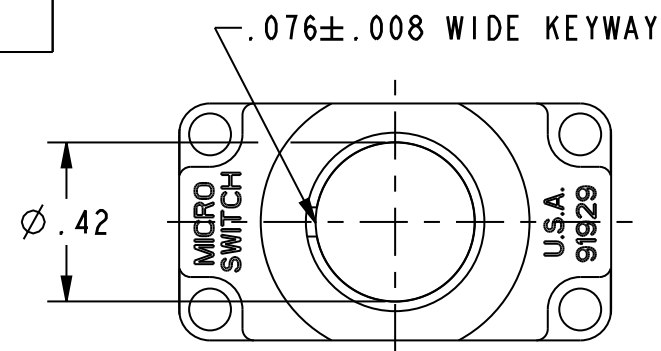
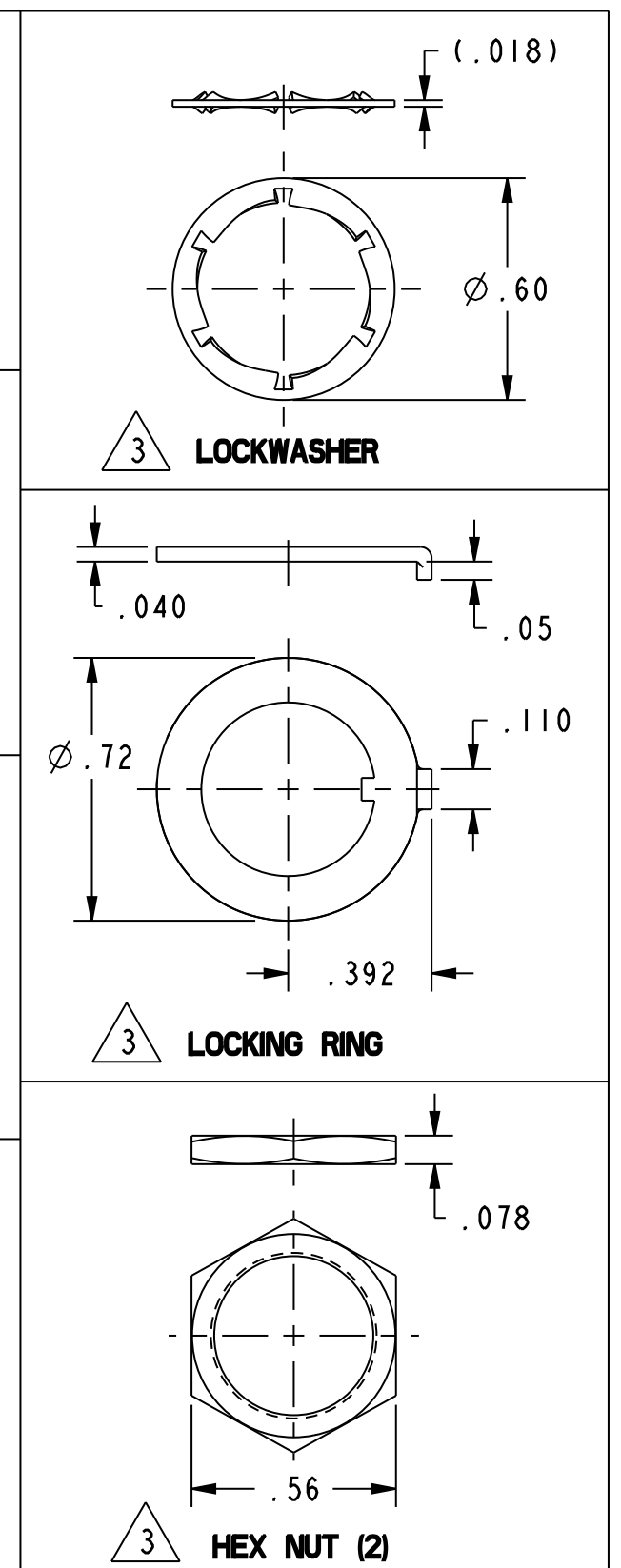
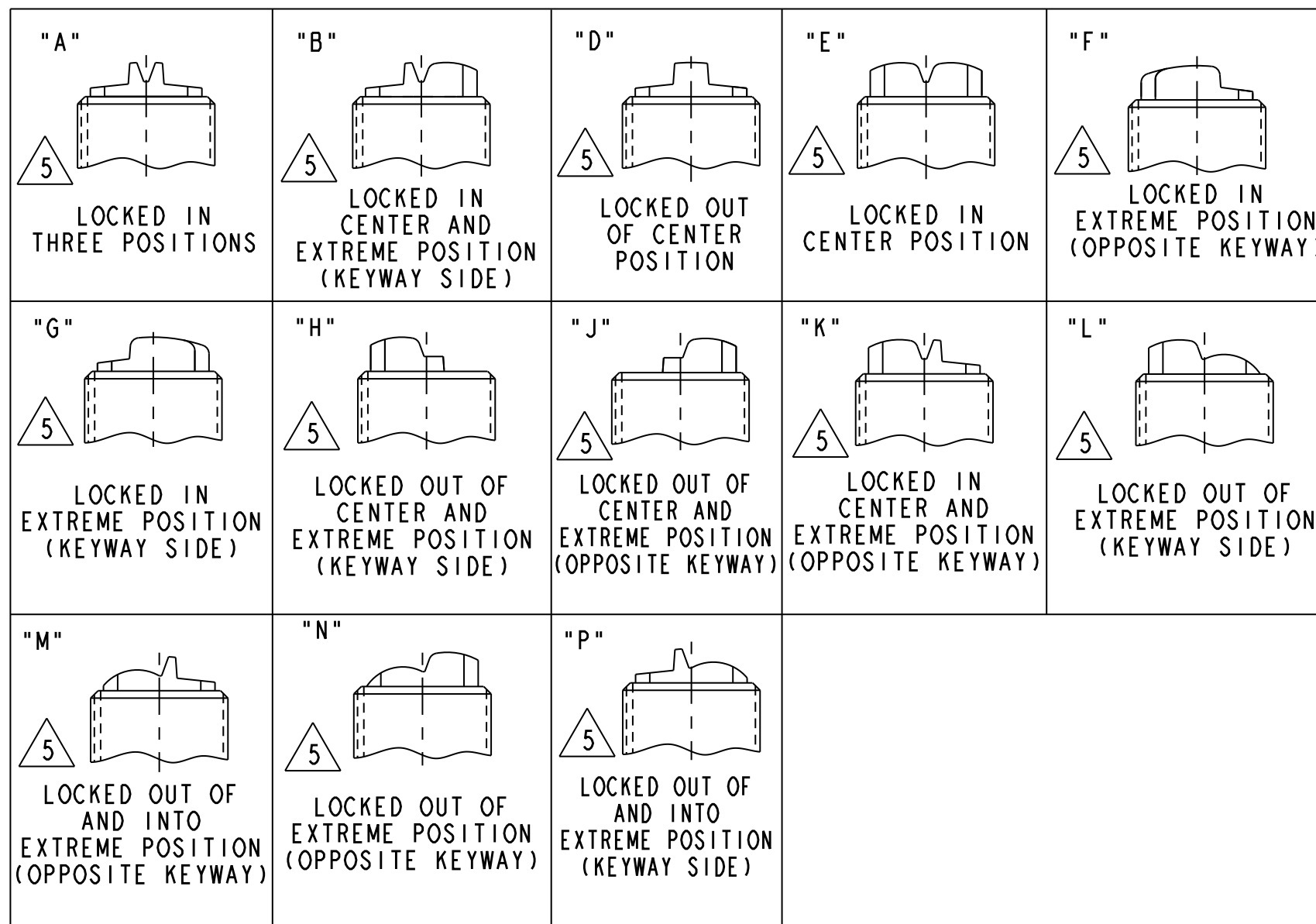


HONEYWELL  
PART NUMBER  
SEE CHART

REV	DOCUMENT	CHANGED BY	CHECK
32	0056412	SJK IOSEP09	CMH
REDRAWN WITHOUT CHANGE IN PRO-E			



MILITARY STANDARD NUMBER 6	CATALOG LISTING 6	AVAILABLE LOCKING COMBINATIONS FOR CONFIGURATION SEE LETTERED DETAILS	CIRCUIT MADE WITH TOGGLE LEVER IN			MILITARY RATING (AMPS)								
			KEYWAY SIDE (1-2)	CENTER (1-2)	OPPOSITE KEYWAY (2-3)	RESISTIVE LOAD				LAMP LOAD		INDUCTIVE LOAD		
						DC VOLTS		AC VOLTS		28 VDC	125 VAC	28 VDC	125 VAC	
MS-24658-21	ITLI-1	A, B, D, E, F, G, H, J, K, L, M, N, P	ON	OFF	ON	28	125	250	125	250	5	3	15	10
MS-24658-22	ITLI-2	D, F, G	OFF	NONE	ON	(REFER TO L191 FOR UL RATING)								
MS-24658-23	ITLI-3	D, F, G	ON	NONE	ON	(REFER TO L191 FOR UL RATING)								
MS-24658-24	ITLI-21	E, F, K, M	NONE	OFF	ON	(REFER TO L191 FOR UL RATING)								
MS-24658-33	ITLI-31	E, F, K, M	NONE	ON	ON	(REFER TO L191 FOR UL RATING)								
MS-24658-29	ITLI-4	F	MOM OFF	NONE	ON	(REFER TO L192 FOR UL RATING)								
MS-24658-31	ITLI-5	E, F, K, L, M, N	MOM ON	OFF	ON	(REFER TO L192 FOR UL RATING)								
MS-24658-30	ITLI-6	F	MOM ON	NONE	OFF	(REFER TO L192 FOR UL RATING)								
MS-24658-27	ITLI-7	E, L, N	MOM ON	OFF	MOM ON	(REFER TO L192 FOR UL RATING)								
MS-24658-26	ITLI-8	F	MOM ON	NONE	ON	(REFER TO L192 FOR UL RATING)								
MS-24658-32	ITLI-51	E	NONE	ON	MOM ON	(REFER TO L192 FOR UL RATING)								
MS-24658-28	ITLI-61	E	MOM ON	OFF	NONE	(REFER TO L192 FOR UL RATING)								



- NOTES:
- SWITCHES ARE CAPABLE OF WITHSTANDING A TEMPERATURE OF 160°F CONTINUOUSLY AT FULL RATED LOAD.
  - CIRCUIT DESIGNATION, MICRO SWITCH CATALOG LISTING AND MS NUMBER MARKED ON SIDE OF SWITCH.
  - FURNISHED UNASSEMBLED.
  - FOR TERMINAL COVER, SEE MICRO SWITCH CATALOG LISTING 5PA7.
  - KEYWAY SHOWN ON LEFT SIDE.
  - SUFFIX LETTER MUST BE ADDED FOR DESIRED TYPE OF TOGGLE LOCKING. SEE CHART FOR AVAILABLE LOCKING COMBINATIONS.
  - APPLIES ONLY TO "ON" AND "MOMENTARY ON" POSITIONS.
  - THESE SWITCHES ARE QUALIFIED UNDER MIL-S-3950.
  - FROM BOTTOM OF KEYWAY TO MAJOR DIA. OF 15/32 THREAD.

15A-125, 250 OR 277VAC 1/2 HP-125VAC; 1HP-250, 277VAC 5A-125VAC "L" CODE L191	CE
10A-125, 250 OR 277VAC 1/4HP-125VAC; 1/2HP-250, 277VAC 3A-125VAC "L" CODE L192	CE

DESIGN UNITS: INCH TOLERANCES UNLESS NOTED:	NO PLACES .x ± .03 ONE PLACE .xx ± .015 TWO PLACE .xxx ± .005 THREE PLACE .x ± .03 ANGLES .x ± .03
THIRD ANGLE PROJECTION	

DRAWN	JAF	28JUN94
CHECK	-	-
THIS DRAWING COVERS A PROPRIETARY ITEM AND IS THE PROPERTY OF HONEYWELL. THIS DRAWING IS NOT TO BE COPIED OR USED WITHOUT THE PERMISSION OF HONEYWELL.		
INTERPRET PER ASME Y14.5M-1994 OTHER HONEYWELL ENGINEERING STANDARDS MAY APPLY		
Pro/ENGINEER 3D		

<b>Honeywell</b>			
<b>SWITCH - TOGGLE</b>			
SIZE	TYPE	CAGE CODE	DRAWING NAME
C	I	-	ITLI SERIES CHART 2 32
SCALE	2:1	WEIGHT: .08 LBS. APPROX	SHEET 1 OF 1