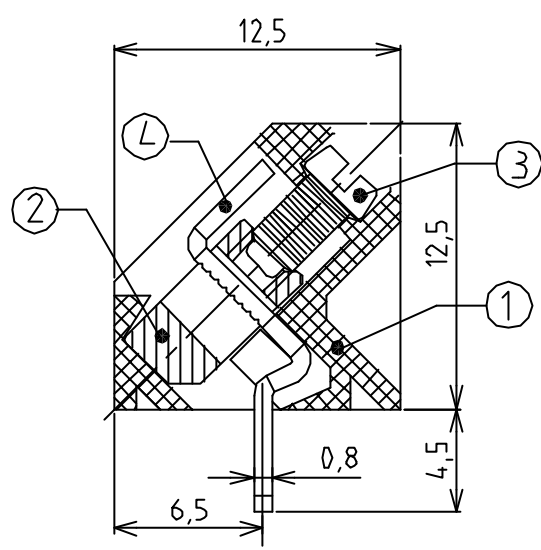
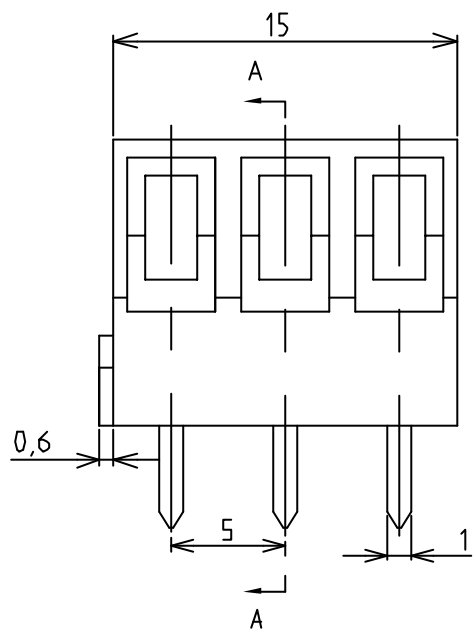
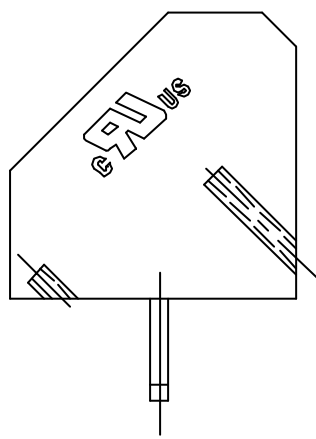


used for:

- NOTES:
- 1, Rating: 250V 16A;
 - 2, Insulation Withstands Voltage: AC 1500V/MIN
 - 3, Insulation Resistance: 1000MΩ or more at DC 500V
 - 4, Using Temperature Range: -40°C -- +115°C
 - 5, Screw Torque Value: 3.5 kg-cm²
 - 6, Suitable Electric Wire: 12-26 AWG



Section A--A

4	Pin	J017M111111	3	HPb59-1	Tin Plated
3	Screw	S011113011	3	Steel	M3 Zinc plated
2	Block	C111111300	3	HPb59-1	Ni Plated
1	Housing	0117P01411	1	PBT G21	UL94V-0

ITEM	NAME OF PART	NO OF PART	Q'TY	MATERIAL	NDTE
DWG.	CHENR	DATE	2004/11/31	UNTS	MN
CHK.		DATE		SCALE	3:1
APP.		DATE		NAME	20.300M (LEAD FREE)
				DWG NO.	

Pitch range in mm		Nominal dimension range		radius	clearance	slant angle	side	≠	□	∥
2	0	16	24	32	0.5	3	6	11	50	120
to	to	to	to	to	to	to	to	to	to	to
8	16	24	32	36	3	6	30	15	50	120
to	to	to	to	to	to	to	to	to	to	to

REV.	CONTENT	CHK.	DATE
------	---------	------	------

