



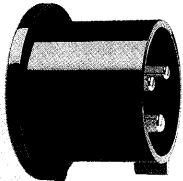
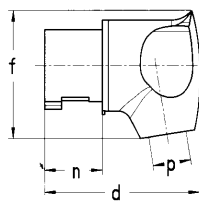
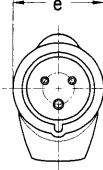

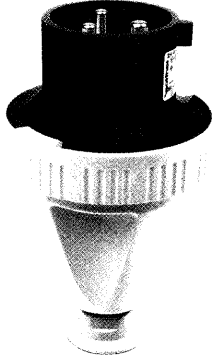
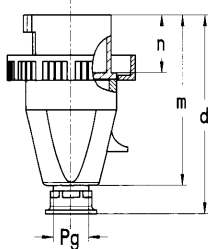
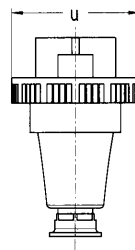

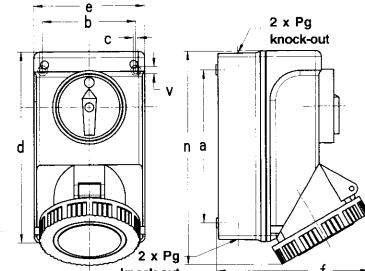
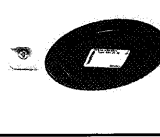
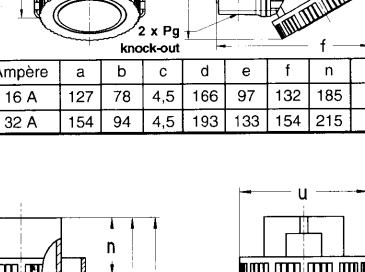
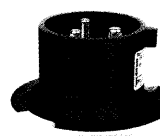
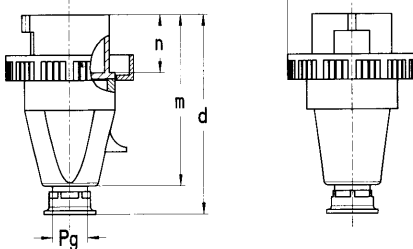

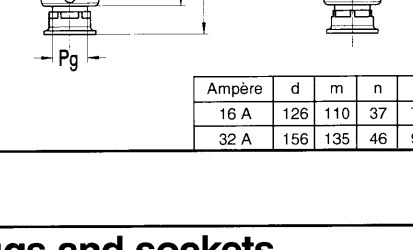

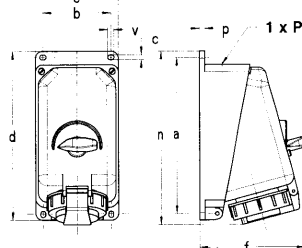

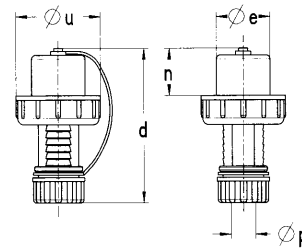


723 2135

Amp	Volt	Hz	IP Ident. colour + h	Part No.	Plugs	2 P +  IEC/EN 60 309	 	EAN No. 4015609...																														
<p> IP44</p>					<p>mondo <b>angled plugs</b>, back part RAL 7035 light grey</p>																																	
<b>16</b>	230	50/60	<b>6</b>	216 306	  		10	012770																														
	110	50/60	4	216 304			106	012763																														
	400	50/60	9	216 309				012787																														
230	50/60	<b>6</b>	216 306 RW				173693																															
RW = clear white, RAL 9010																																						
230	50/60	<b>6</b>	216 306 PW				130764																															
PW = pearl white, RAL 1013																																						
<b>32</b>	230	50/60	<b>6</b>	236 306			<table border="1"> <thead> <tr> <th>Ampère</th> <th>d</th> <th>e</th> <th>f</th> <th>n</th> <th>p</th> </tr> </thead> <tbody> <tr> <td>16 A</td> <td>85</td> <td>50,3</td> <td>70</td> <td>37</td> <td>8/15</td> </tr> <tr> <td>32 A</td> <td>115</td> <td>72</td> <td>96</td> <td>45,8</td> <td>11/22</td> </tr> </tbody> </table>	Ampère	d	e	f	n	p	16 A	85	50,3	70	37	8/15	32 A	115	72	96	45,8	11/22		10	014057										
	Ampère	d	e	f				n	p																													
	16 A	85	50,3	70				37	8/15																													
32 A	115	72	96	45,8	11/22																																	
110	50/60	4	236 304	214	014040																																	
400	50/60	9	236 309		014071																																	
230	50/60	<b>6</b>	236 306 RW		173716																																	
RW = clear white, RAL 9010																																						
230	50/60	<b>6</b>	236 306 PW		173709																																	
PW = pearl white, RAL 1013																																						
<p> IP67</p>					<p>gland entry</p>																																	
<b>16</b>	230	50/60	<b>6</b>	219 306*	  		10	013098																														
	110	50/60	4	219 304			133	013074																														
	400	50/60	9	219 309				013111																														
230	50/60	<b>6</b>	239 306				10	014286																														
110	50/60	4	239 304				242	014279																														
400	50/60	9	239 309					014293																														
<b>63</b>	230	50/60	<b>6</b>	269 306				5	015016																													
	110	50/60	4	269 304				501	015009																													
	400	50/60	9	269 309					015023																													
<b>125</b>	230	50/60	<b>6</b>	279 306				2	015207																													
	110	50/60	4	279 304		1185	015191																															
	400	50/60	9	279 309			160556																															
<table border="1"> <thead> <tr> <th>Ampère</th> <th>d</th> <th>m</th> <th>n</th> <th>u</th> <th>Pg</th> </tr> </thead> <tbody> <tr> <td>16 A</td> <td>126</td> <td>110</td> <td>37</td> <td>72</td> <td>13,5</td> </tr> <tr> <td>32 A</td> <td>156</td> <td>135</td> <td>46</td> <td>96</td> <td>21</td> </tr> <tr> <td>63 A</td> <td>243</td> <td>195</td> <td>67</td> <td>110</td> <td>36</td> </tr> <tr> <td>125 A</td> <td>315</td> <td>258</td> <td>75,5</td> <td>130</td> <td>48</td> </tr> </tbody> </table>					Ampère	d	m	n	u	Pg	16 A	126	110	37	72	13,5	32 A	156	135	46	96	21	63 A	243	195	67	110	36	125 A	315	258	75,5	130	48				
Ampère	d	m	n	u	Pg																																	
16 A	126	110	37	72	13,5																																	
32 A	156	135	46	96	21																																	
63 A	243	195	67	110	36																																	
125 A	315	258	75,5	130	48																																	

Amp	Volt	Hz	IP Ident. colour + h	Part No.	Ex plugs and sockets for use in Zone 11	g	EAN No. 4015609...
<p style="text-align: center;"><b>2 P +</b> </p> <p style="text-align: center;"><b>EX</b> IEC/EN 60 309</p>							
			IP67		<b>wall socket outlets with double interlocking, switch 2pol.</b>		
<b>16</b>	230	50/60	<b>6</b>	<b>531 43 16</b>	 	845	040223
	110	50/60	4	531 43 14			040216
	400	50/60	9	531 43 19			166381
<b>32</b>	230	50/60	<b>6</b>	<b>531 43 36</b>	 	1066	040247
	110	50/60	4	531 43 34			040230
	400	50/60	9	531 43 39			040254
<p style="text-align: center;"><b>2 P +</b> </p> <p style="text-align: center;"><b>EX</b> IEC/EN 60 309</p>							
			IP67		<b>plugs, gland entry</b>		
<b>16</b>	230	50/60	<b>6</b>	<b>219 306</b>	 	133	013098
	110	50/60	4	219 304			013074
	400	50/60	9	219 309			013111
<b>32</b>	230	50/60	<b>6</b>	<b>239 306</b>	 	242	014286
	110	50/60	4	239 304			014279
	400	50/60	9	239 309			014293
<p style="text-align: center;"><b>2 P +</b> </p> <p style="text-align: center;"><b>EX</b> DIN 49 440</p>							
			IP67		<b>Ex Schuko plugs and sockets for use in Zone 11</b>		
			IP67		<b>Schuko socket outlet with interlocking</b>		
<b>16</b>	230~	-	-	<b>10 009</b>	 	625	003518
<p style="text-align: center;"><b>2 P +</b> </p> <p style="text-align: center;"><b>EX</b> DIN 49 440</p>							
			IP67		<b>Schuko plug</b>		
<b>16</b>	230~	-	-	<b>10 035</b>	 	134	176038