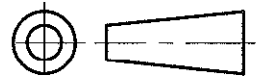


DO NOT SCALE

DIMENSIONS IN mm

METRIC

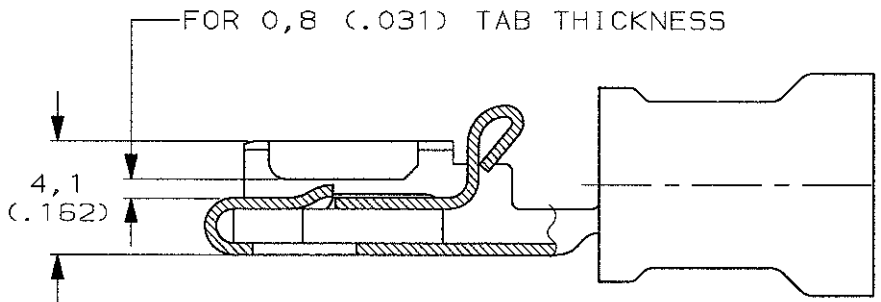
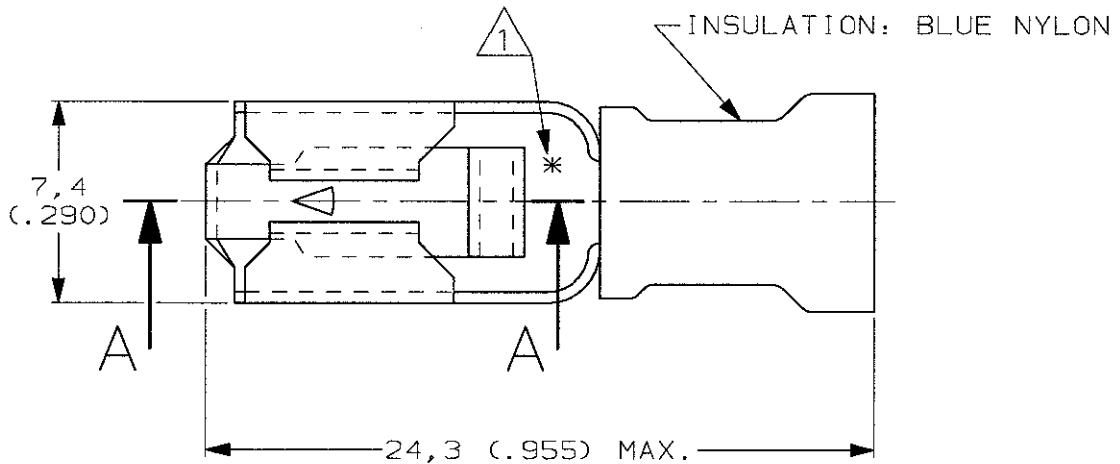
THIRD ANGLE  
PROJECTION




NOTES

① ASTERISK \* FOR PH. BRONZE ITEMS ONLY.

② TAPE-MOUNTED VERSION OF 165536-1



SECTION A-A

WIRE RANGE 1,5-2,5mm <sup>2</sup>		TINPLATED		BRASS		2-165536-1 ②	
INSULATION RANGE 4,8 (.190) DIA.		NICKELPLATED		PH. BRONZE ①		165536-3	
		TINPLATED		PH. BRONZE ①		165536-2	
		TINPLATED		BRASS		165536-1	
		FINISH		MATERIAL		PARTNUMBER	
-		-		-		CUSTOMER DRAWING FOR REFERENCE ONLY WILL NOT BE UPDATED	
-		-		-		© COPYRIGHT 1991 BY AMP HOLLAND B.V. ALL INTERNATIONAL RIGHTS RESERVED. AMP PRODUCTS MAY BE COVERED BY U.S. AND FOREIGN AND/OR PATENTS PENDING.	
-		-		-		THIS DRAWING IS UNPUBLISHED RELEASED FOR PUBLICATION _____, 19____	
-		-		-		 AMP HOLLAND B.V. 's-Hertogenbosch, The Netherlands.	
E EH-0967-00		RvH	A.B.	09-09-00		NAME .250 (6,35) SERIES	
D H-9162		R.D.	A.B.	23.10.91		PIDG	
LTR. REVISION RECORD		DR.	CHK.	DATE		POSITIVE-LOCK RECEPTACLE	
DR.:	R.DAAMEN	CHK.:	A.BIJNEN	APP.:	L.v.SOEST	DWG.No.	REV.LTR. SHEET
DATE:	23.10.91	DATE:	-	DATE:	-	165536	E 1 OF 1 A4