

5

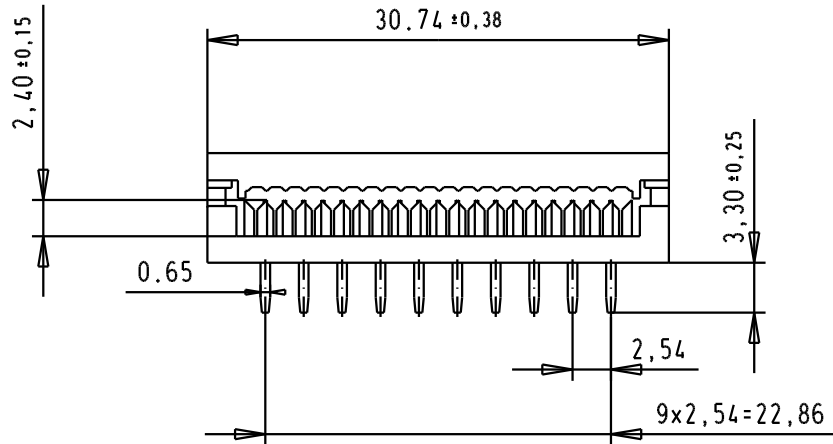
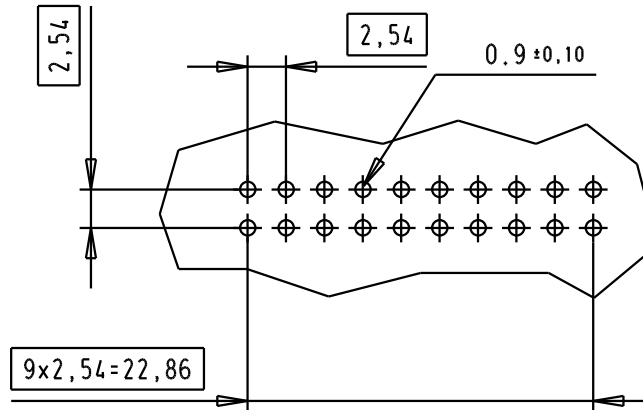
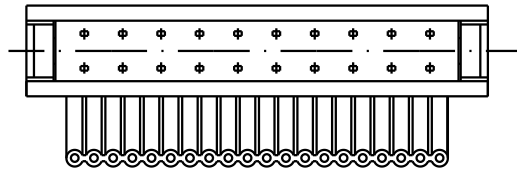
4

3

2

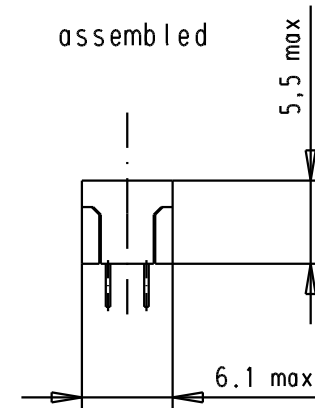
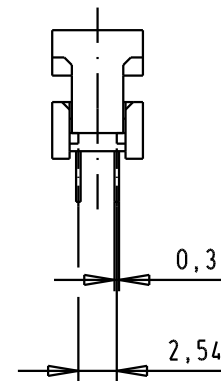
1

Printed board layout, component side



pre assembled

assembled




A

B

C

D

						 All Dim. in mm Orig. Size DIN A 4	SEK 18, P.C.B Transition 20 poles connector 2 rows - Low Profile	Maßstab/ Scale 2:1	
				Detail.	02/04/04				JH
				Insp.					
				Stand.					
				31884	02/04/04	JH	HARTING EURL F-95972 Paris	TB 09181209622	Blatt/ Page 1 /
				Mod.					

09181209622
part number