

5

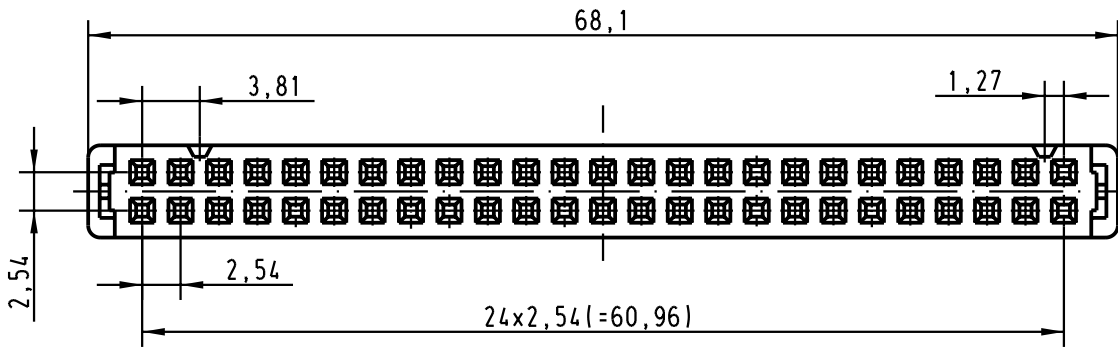
4

3

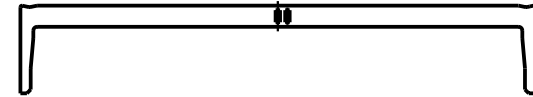
2

1

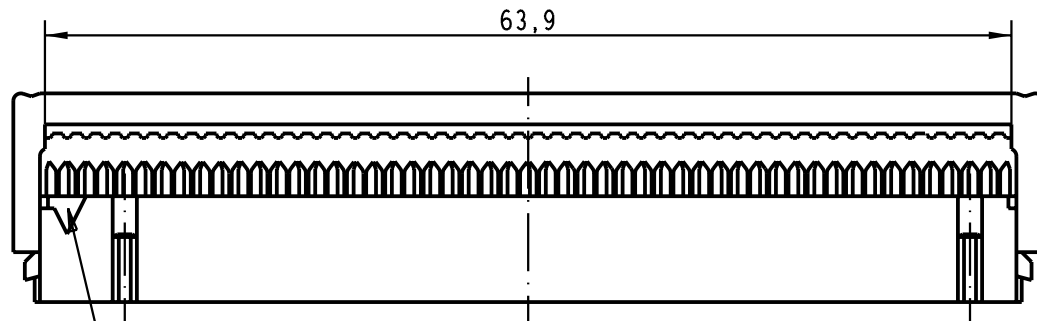
D



1:1



C

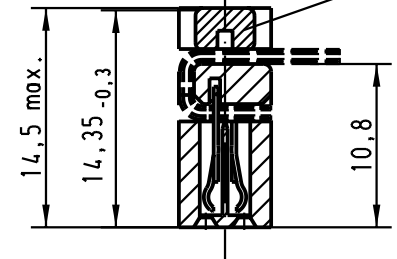
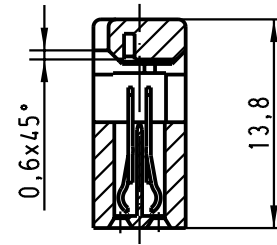


No.1 contact, 1st wire of flat cable

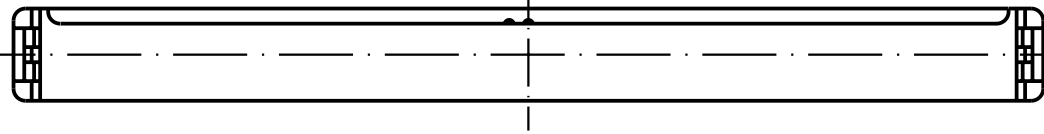
pre assembled

fitted

strain relief



B



A