

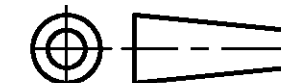
ZEICHNUNG GESCHÜTZT DURCH  
 ©COPYRIGHT 1988  
 AMP DEUTSCHLAND GMBH  
 ALLE RECHTE VORBEHALTEN

REV.	ÄNDERUNG	DATUM	NAME
2	ZEICHNUNG IN EUROPEAN PROJECTION GEÄNDERT	04.12.90	A.HO
3	LÖTLÄNGE VON 3.0 IN 3.1 GEÄNDERT	16.03.92	A.HO
c	VERPACKUNGSANGABE HINZU	15.01.96	F.RDT
C1	NOTE 3 CHANGED FROM SnPb into Sn	23.03.06	K.-H. HESS

DO NOT SCALE  
 DIMENSIONS IN mm

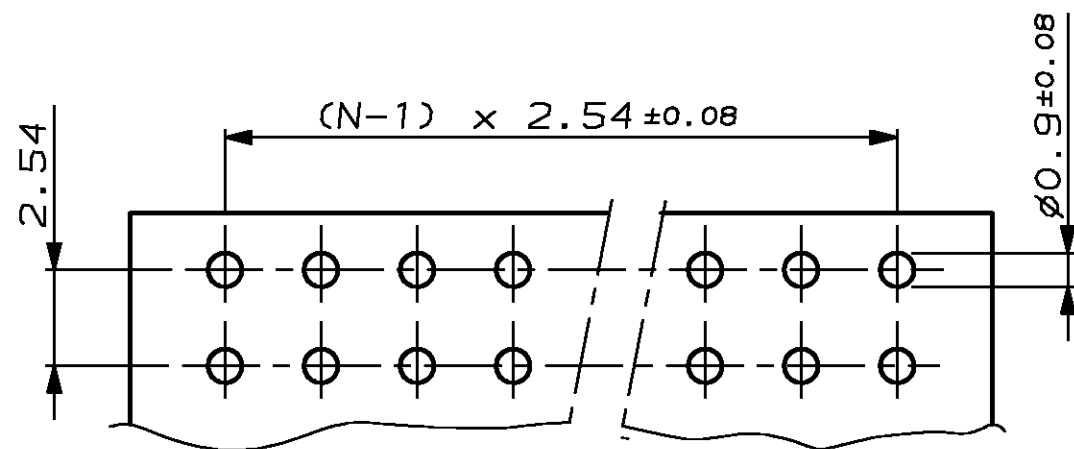
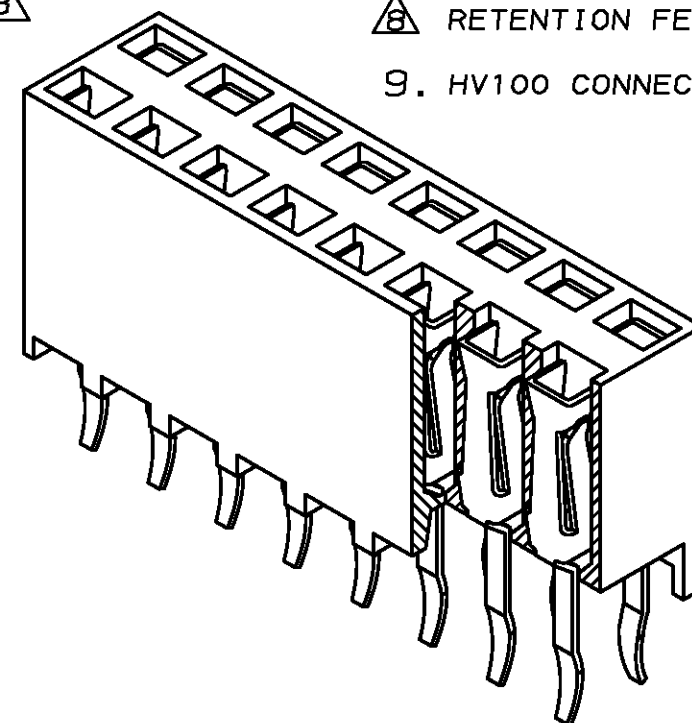
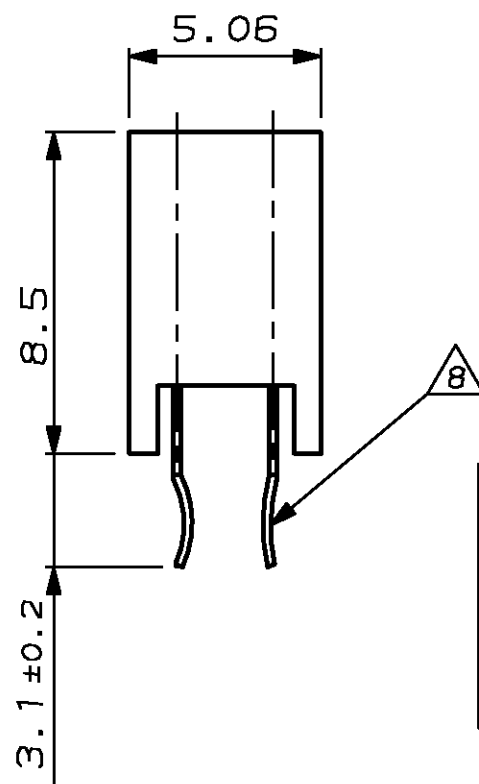
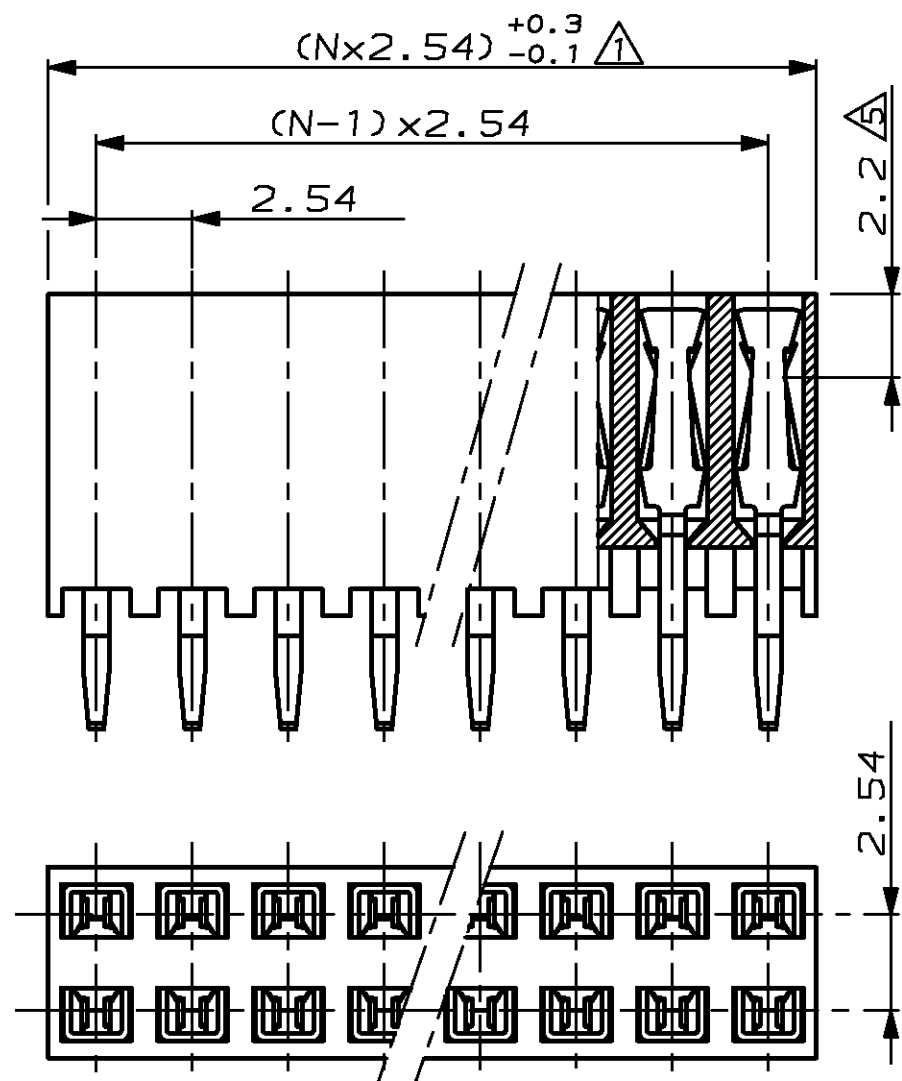
METRIC

EUROPEAN  
 PROJECTION



NOTES:

1. TO DETERMINE DIMENSIONS TAKE  $2 \times N = \text{NR. OF POS.}$ .  
 FOR EXAMPLE:  $2 \times 10 \text{ POS.} = N \times 2,54 = 25,4 \text{ mm.}$   
 FOR ORDERNR. USE BASIC NR. + NR. OF POS.  
 FOR EXAMPLE:  $2 \times 2 \text{ POS.} = 215 309-2$  (SHORTEST VERSION)  
 $2 \times 36 \text{ POS.} = 3-215 309-6$  (LONGEST VERSION)
2. HOUSING MATERIAL: GREEN GLASSFILLED POLYESTER,  
 UL 94V-0  
 CONTACT MATERIAL: PHOSPHORBRONZE.
3. PLATING: UNDERCOATING:  $1,3 \mu\text{m Ni.}$   
 AT CONT.PLACE:  $0,8 \mu\text{m Au.}$   
 AT SOLDER-TYNES: MIN.  $2,5 \mu\text{m Sn.}$
4. MATES WITH 0,63 SQUARE/ROUND MODU POSTS.
5. CONTACT-POINT.
6. RECOMMENDED P.C.BOARD-THICKNESS: 1,6.
7. RETENTION FEATURE.
8. HV100 CONNECTOR PACKED IN ANTISTATIC BLISTER



P.C.-BOARD HOLE-PATTERN

NICHT TOLERIERTE MASSE	± 0.1
MASSTAB	5:1

VERWENDET FÜR E 92-9803	SEE NOTES FINISH	SEE NOTES MATERIAL	SEE NOTES PARTNUMBER
CUSTOMER DRAWING	<b>AMP</b>		
FOR REFERENCE ONLY WILL NOT BE UPDATED	AMP-HOLLAND B.V. 's-Hertogenbosch, The Netherlands.		
	THIS DRAWING IS UNPUBLISHED RELEASED FOR PUBLICATION 14.8.1986		
	© COPYRIGHT 1986 BY AMP-HOLLAND B.V. ALL INTERNATIONAL RIGHTS RESERVED. AMP PRODUCTS MAY BE COVERED BY U.S. AND FOREIGN PATENTS AND/OR PATENTS PENDING.		
DR. L.V.D. HEYDEN	DATE 09.07.86	WIRE RANGE -	NAME HV 100 VERTICAL CONNECTOR
CHK. W.SIMONS	DATE	INSUL. RANGE -	DUAL ROW, 8,5mm HEIGHT, TOP ENTRY, GOLD, MAX. 2x36 POSITIONS.
APP. L.V. SOEST	DATE	SIZE A3	SHEET 1 OF -
		DWG. No.	215309
		REV. DATE	D M Y
		150196	
		REV. LTR.	C1