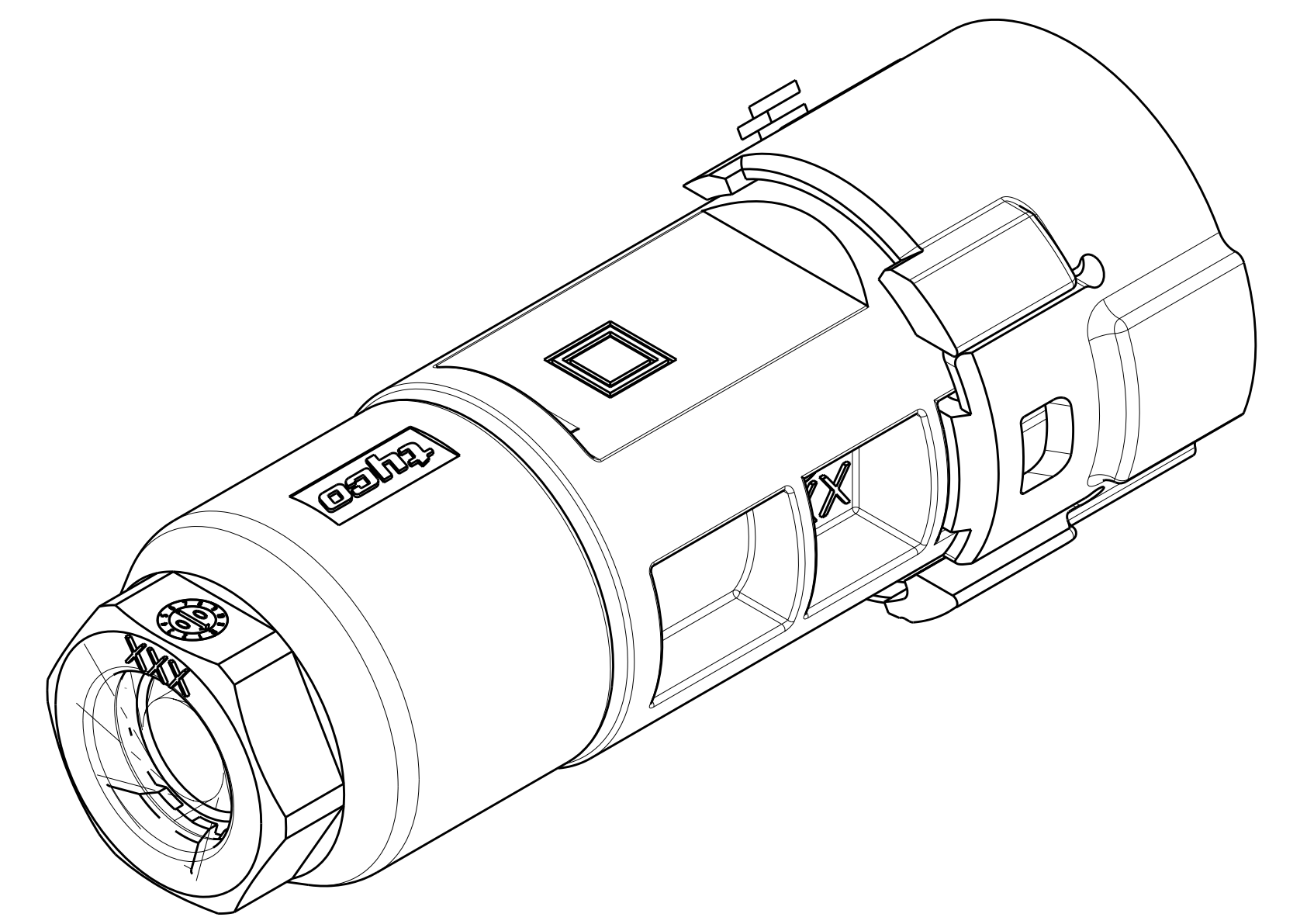
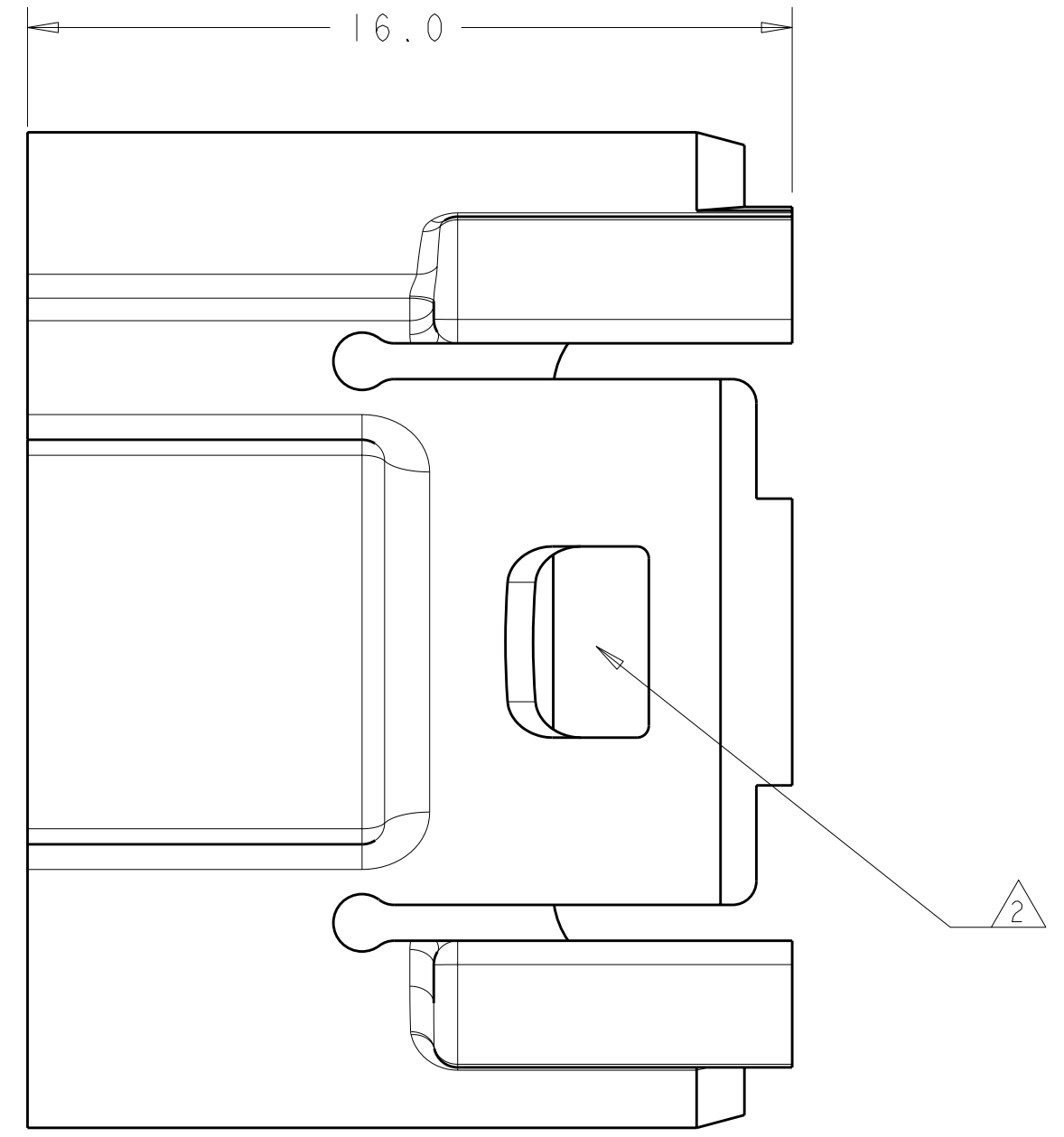
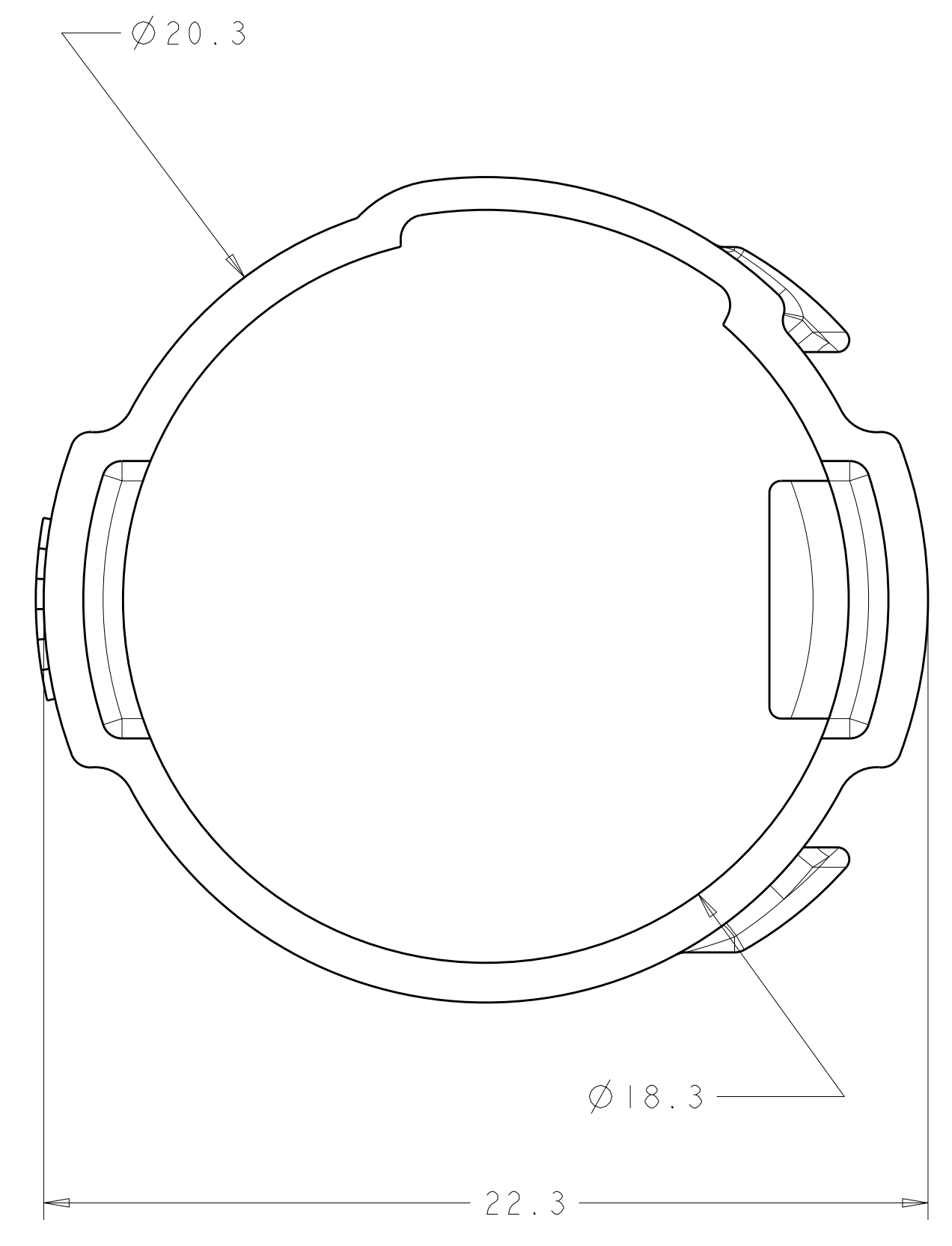
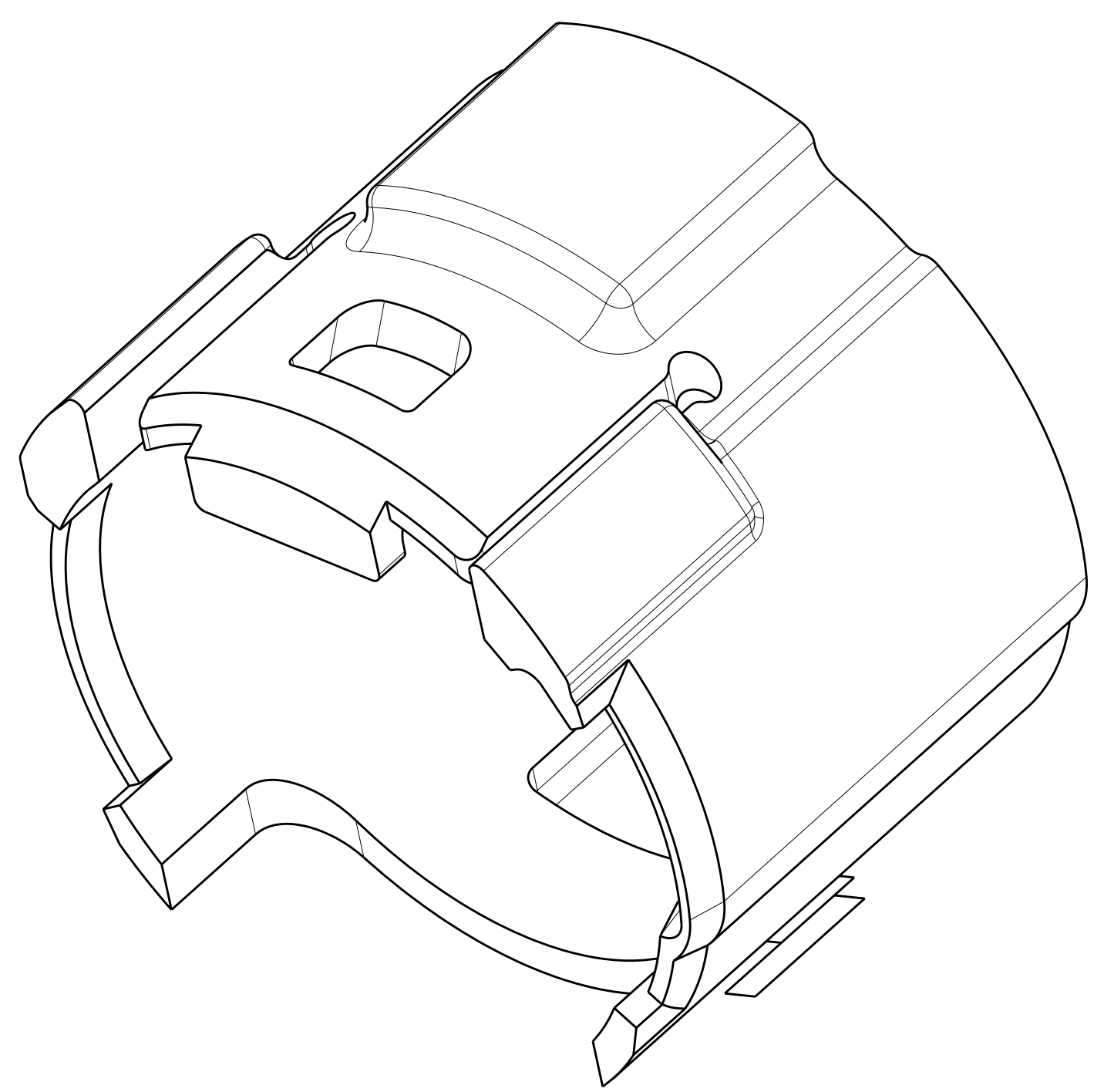
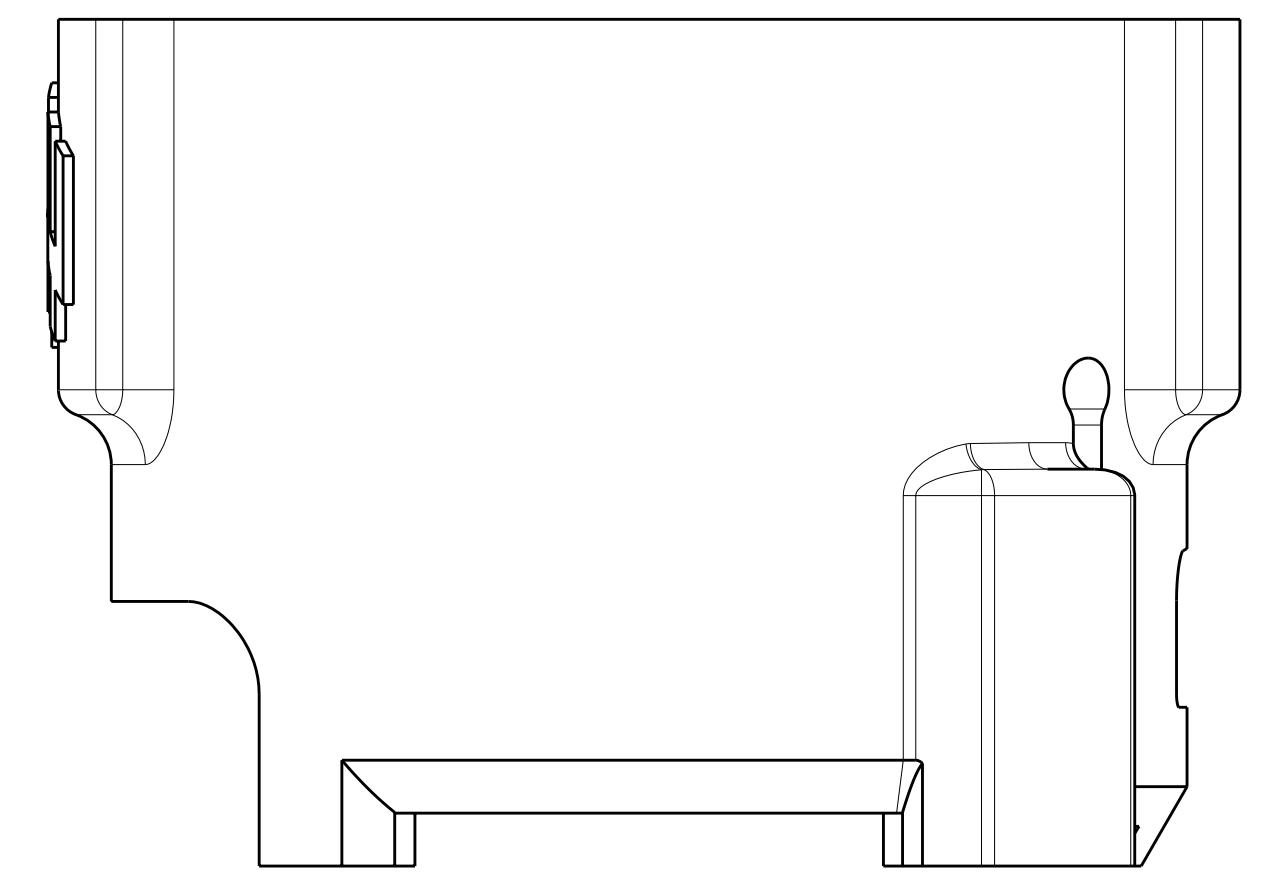


REVISONS		DATE	DWN	APVD
P	LTB			
A		08SEP2009	SS	MS

1. MATERIAL: POLYCARBONATE, UL 94, UV PROTECTED, BLACK  
 ⚠ FOR INSTALLATION AND EXTRACTION SOLARLOK CONNECTORS  
 FLAT BLADE SCREWDRIVER TIP WIDTH MUST NOT EXCEED 3.75.



SCALE 4:1



<small>THIS DRAWING IS UNPUBLISHED. RELEASED FOR PUBLICATION BY TYCO ELECTRONICS CORPORATION. ALL RIGHTS RESERVED. THIS IS SUBJECT TO CHANGE WITHOUT NOTICE AND WITHOUT OBLIGATION. SHOULD BE CONTACTED FOR THE LATEST REVISION.</small>		DWN: 06724709 PDR: 06724709 CHK: 06724709 PDR: 06724709 APVD: 06724709	Tyco Electronics Harrisburg, PA 17105-3608
DIMENSIONS: mm 	TOLERANCES UNLESS OTHERWISE SPECIFIED: 0 PLC ± 1 PLC ±0.2 2 PLC ±0.13 3 PLC ± 4 PLC ± ANGLES ± FINISH -	PRODUCT SPEC APPLICATION SPEC WEIGHT CUSTOMER DRAWING	NAME: SOLARLOK LOCKING COLLAR SIZE: A   CAGE CODE: 00779   DRAWING NO: C=2106207 RESTRICTED TO: - SCALE: 4:1   SHEET: 1 OF 1   REV: A