

7

6

5

4

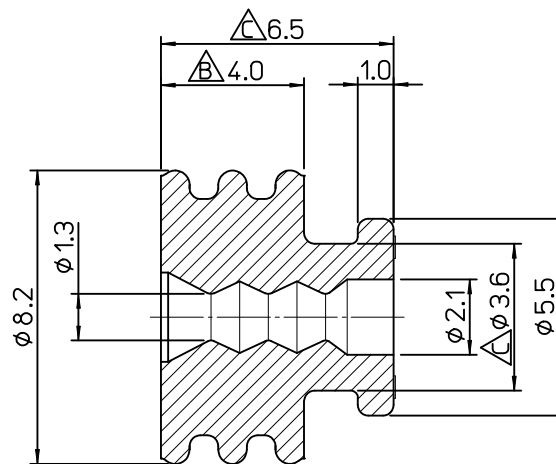
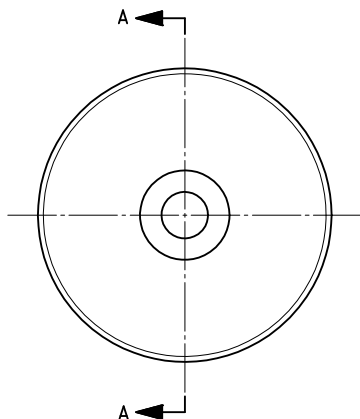
3

2

1

NOTES

1. MATERIAL: LUBRICATED SILICONE RUBBER
COLOR: BROWN
2. APPLICABLE WIRE SIZE: AVS0.5~0.85SQ
3. APPLICABLE TERMINAL: 35464-8000
4. APPLICABLE SOCKET: 35842, 35843



SECTION A-A

<TABLE 1>

359030096	35903-0096
MATERIAL NO.	ORDER NO.

REVISED EC NO: KOR2010-0141 DRWNER: EOKIM 2010/03/10 CHKD: WYANG 2010/03/10 APPR: YUNSIKKIM 2010/03/11	QUALITY SYMBOLS =0 =0	GENERAL TOLERANCES (UNLESS SPECIFIED)		DIMENSION STYLE MM ONLY		SCALE 5:1	DESIGN UNITS METRIC	THIRD ANGLE PROJECTION		
			mm	INCH	DRAWN BY YSIKKIM	DATE 1999/05/26	TITLE WIRE SEAL FOR POSITIVE TERMINAL			
		4 PLACES	± ---	± ---	CHECKED BY BKCHOI	DATE 1999/05/26				
		3 PLACES	± ---	± ---	APPROVED BY CWLEE	DATE 1999/05/26	MOLEX INCORPORATED MATERIAL NO. SEE TABLE 1 DOCUMENT NO. SD-35903-0096 SHEET NO. 1 OF 1			
2 PLACES	± 0.1	± ---	MATERIAL NO. SEE TABLE 1							
1 PLACE	± 0.2	± ---	DRAFT WHERE APPLICABLE MUST REMAIN WITHIN DIMENSIONS		THIS DRAWING CONTAINS INFORMATION THAT IS PROPRIETARY TO MOLEX INCORPORATED AND SHOULD NOT BE USED WITHOUT WRITTEN PERMISSION					

6

5

4

3

2

1

7

6

5

4

3

2

1

E

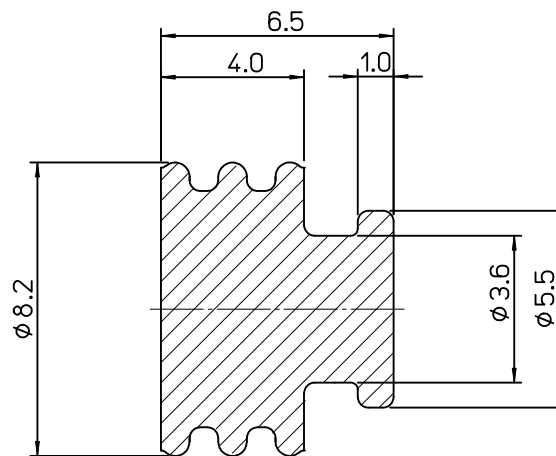
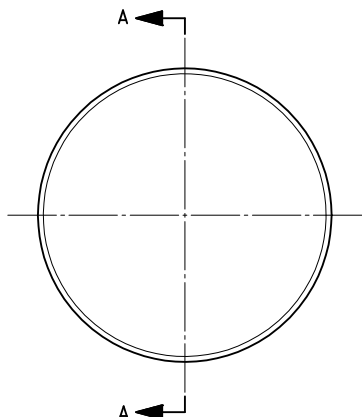
D

C

B

A

NOTES
 1.MATERIAL:LUBRICATED SILICONE RUBBER
 COLOR;BROWN
 2.APPLICABLE SOCKET:35842



SECTION A-A

<TABLE 1>

359030109	35903-0109
MATERIAL NO.	ORDER NO.

NEW RELEASE EC NO: KTR2012-0022 DRWN: HIMOON 2011/09/23 CHKD: BCYOON 2011/09/23 APPR: YUNSIKKIM 2011/11/03	QUALITY SYMBOLS = 0 = 0	GENERAL TOLERANCES (UNLESS SPECIFIED)		DIMENSION STYLE MM ONLY		SCALE 5:1	DESIGN UNITS METRIC	THIRD ANGLE PROJECTION																
		<table border="1"> <thead> <tr> <th></th> <th>mm</th> <th>INCH</th> </tr> </thead> <tbody> <tr> <td>4 PLACES</td> <td>± ---</td> <td>± ---</td> </tr> <tr> <td>3 PLACES</td> <td>± ---</td> <td>± ---</td> </tr> <tr> <td>2 PLACES</td> <td>± 0.1</td> <td>± ---</td> </tr> <tr> <td>1 PLACE</td> <td>± 0.2</td> <td>± ---</td> </tr> </tbody> </table>			mm	INCH	4 PLACES	± ---	± ---	3 PLACES	± ---	± ---	2 PLACES	± 0.1	± ---	1 PLACE	± 0.2	± ---	DRAWN BY DATE YSIKKIM 1999/05/26		TITLE DUMMY SEAL			
			mm	INCH																				
		4 PLACES	± ---	± ---																				
3 PLACES	± ---	± ---																						
2 PLACES	± 0.1	± ---																						
1 PLACE	± 0.2	± ---																						
ANGULAR ± 1 °		CHECKED BY DATE BKCHOI 1999/05/26		APPROVED BY DATE YUNSIKKIM 2011/11/03																				
DRAFT WHERE APPLICABLE MUST REMAIN WITHIN DIMENSIONS		MATERIAL NO. SEE TABLE1		MOLEX INCORPORATED		DOCUMENT NO. SD-35903-109	SHEET NO. 1 OF 1																	

6

5

4

3

2

1