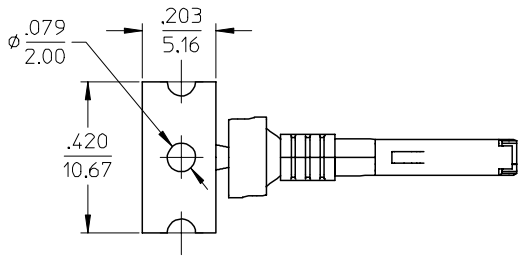
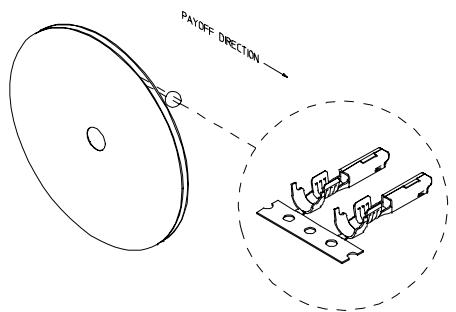
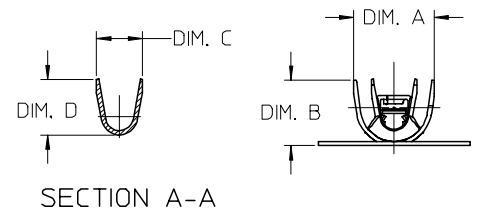
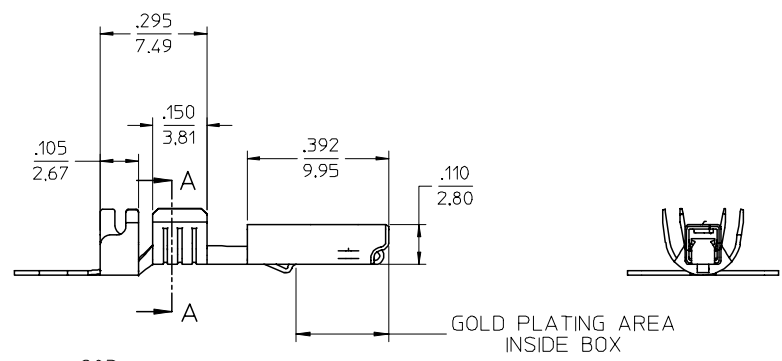
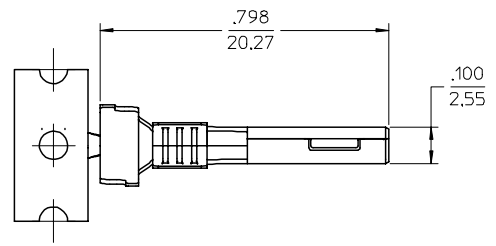


STRIP MATERIAL NUMBER	LOOSE PIECE MATERIAL NUMBER	AWG SIZE	PLATING	DIM. "A" ②	DIM. "B" ②	DIM. "C" ②	DIM. "D" ②
194200001	194200009	16-14	PREPLATED TIN 75µ" MIN THICK OVER NICKEL FLASH	.223/5.66	.182/4.62	.141/3.58	.155/3.94
194200002	194200010	22-18		.181/4.60	.143/3.63	.098/2.50	.106/2.70
194200003	194200011	16-14	SELECT GOLD 30µ" MIN. THICK OVER NICKEL 50µ" MIN. THICK OVER PREPLATED TIN 75µ" MIN THICK OVER NICKEL FLASH	.223/5.66	.182/4.62	.141/3.58	.155/3.94
194200004	194200012	22-18		.181/4.60	.143/3.63	.098/2.50	.106/2.70



- NOTES:
1. MATERIAL: COPPER ALLOY .0098/0.249 THK.
 2. FINISH: SEE CHART.
 3. TERMINALS FOR USE WITH 19418-**** RECEPTACLE HOUSING ASSEMBLY.
 4. STRIP TERMINALS ARE REELED AS SHOWN ABOVE ON 24" REELS, 4000 PARTS PER REEL.
 5. LOOSE TERMINALS ARE BULK PACKAGED IN QUANTITIES OF 400.
 6. APPLICATION TOOLING AND CRIMP SPECIFICATIONS: 63865-6200 (14-16 AWG), 63865-6300 (14-16 AWG), 63811-4000 (HAND TOOL).

EC NO: ETC2004-0004 DRWN: JPAWLICK 2003/08/01 CHKD: JPAWLICK 2003/08/01 APPR: RDEROSS 2003/08/01	QUALITY SYMBOLS	GENERAL TOLERANCES (UNLESS SPECIFIED)	SCALE 4:1	DESIGN UNITS INCH	THIRD ANGLE PROJECTION	REVISE ON CAD ONLY															
	▽ -0 ∇ -0	<table border="1"> <thead> <tr> <th></th> <th>mm</th> <th>INCH</th> </tr> </thead> <tbody> <tr> <td>4 PLACES</td> <td>± ---</td> <td>± ---</td> </tr> <tr> <td>3 PLACES</td> <td>± ---</td> <td>± .010</td> </tr> <tr> <td>2 PLACES</td> <td>± 0.25</td> <td>± .02</td> </tr> <tr> <td>1 PLACE</td> <td>± 0.5</td> <td>± ---</td> </tr> </tbody> </table>		mm	INCH	4 PLACES	± ---	± ---	3 PLACES	± ---	± .010	2 PLACES	± 0.25	± .02	1 PLACE	± 0.5	± ---	DIMENSION STYLE IN/MM		TITLE	
			mm	INCH																	
		4 PLACES	± ---	± ---																	
3 PLACES	± ---	± .010																			
2 PLACES	± 0.25	± .02																			
1 PLACE	± 0.5	± ---																			
DRAFT WHERE APPLICABLE		DRAWN BY JPAWLICK DATE 05/05/03		FEMALE RECEPTACLE TERMINAL, 22-18 & 16-14 AWG, .059/1.50X.031/0.79																	
MUST REMAIN WITHIN DIMENSIONS		CHECKED BY JPAWLICK DATE 05/05/03		MOLEX INCORPORATED																	
THIS DRAWING CONTAINS INFORMATION THAT IS PROPRIETARY TO MOLEX INCORPORATED AND SHOULD NOT BE USED WITHOUT WRITTEN PERMISSION		APPROVED BY RDEROSS DATE 05/05/03		MATERIAL NO. SEE CHART																	
				DOCUMENT NO. SD-19420-001																	
				SHEET NO. 1 OF 1																	