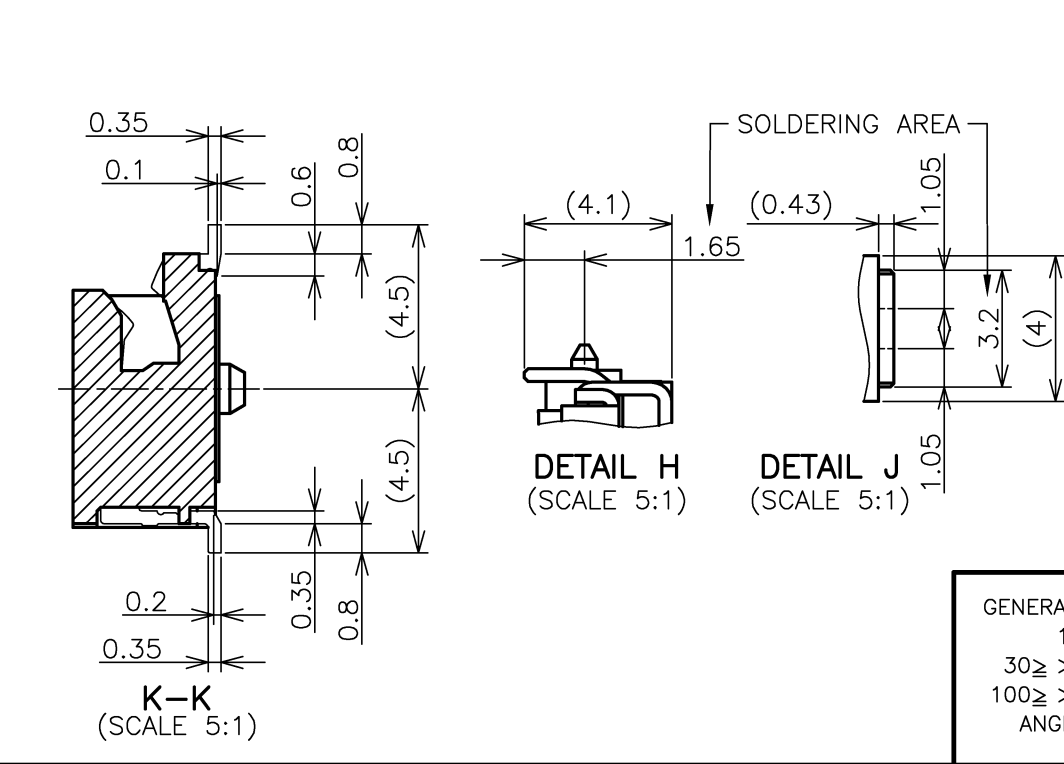
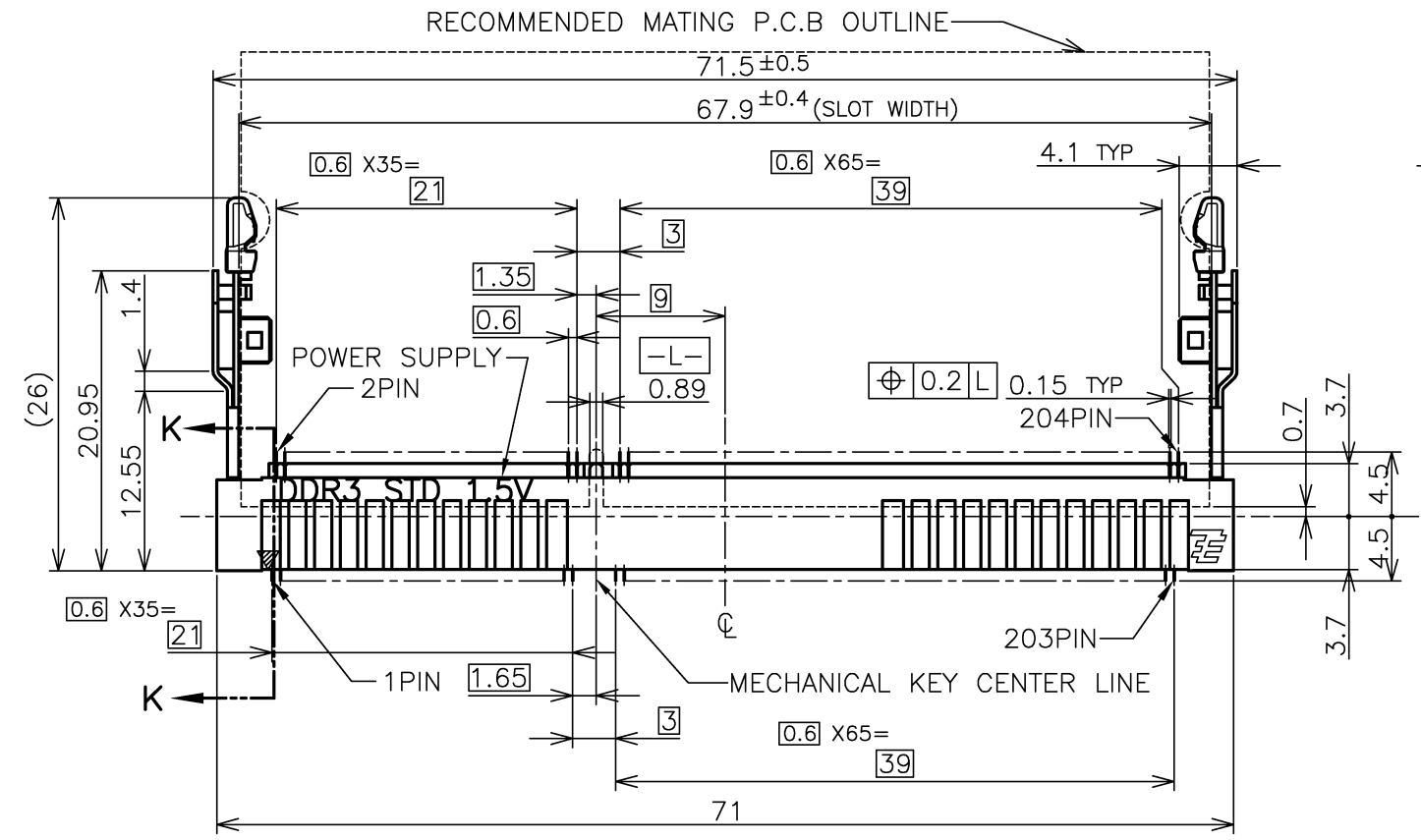
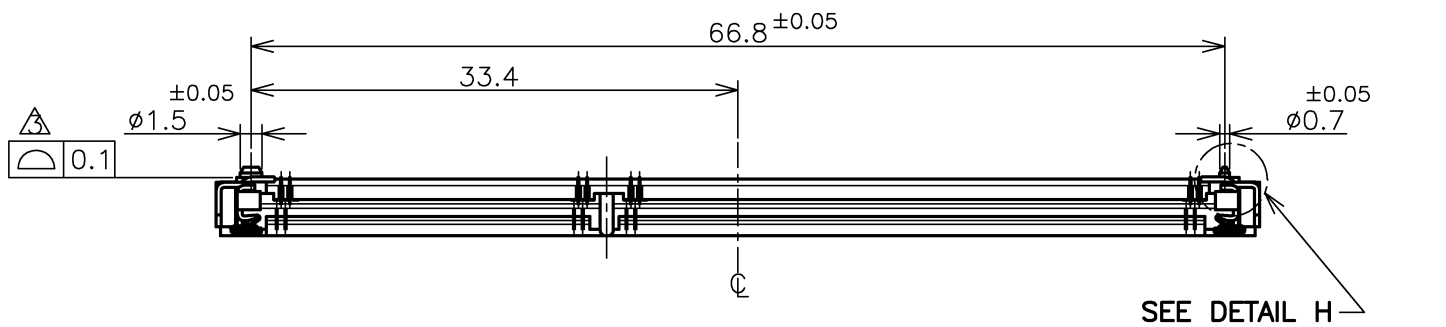
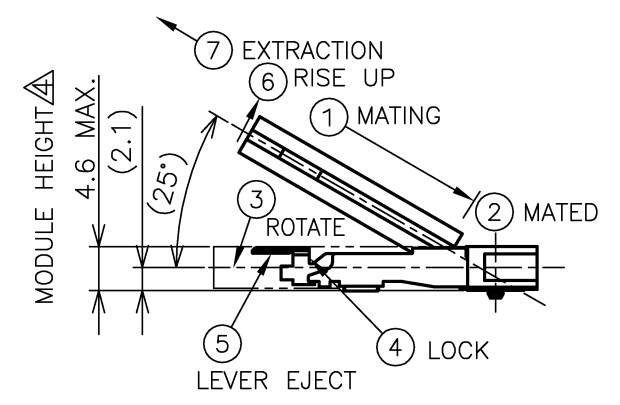


LOC	DIST	REVISIONS					
P	LTR	DESCRIPTION	DATE	DWN	APVD		
J	/	B1	REVISED	ECR-08-019047	30JUL2008	T.F	K.I



GENERAL TOLERANCE
 10 ≥ : ± 0.2
 30 ≥ > 10 : ± 0.25
 100 ≥ > 30 : ± 0.3
 ANGLES : ± 3°

HOW TO MATE AND UNMATE
 MATE: ① → ④
 UNMATE: ⑤ → ⑦



- (APPLIED TO SHEET 1-3)
- MATERIAL ; HOUSING: HIGH TEMPERATURE THERMO PLASTIC UL94V-0
 COLOR: BLACK
 CONTACT: COPPER ARROY
 LOCK LEVER: STAINLESS STEEL
 1. FINISH ; CONTACT AREA: GOLD FLASH
 ALL OVER NICKEL.
 SOLDERING AREA: GOLD FLASH PLATING
 LOCK LEVER: TIN PLATING
 2. FINISH ; CONTACT AREA: 0.000254MIN GOLD
 ALL OVER NICKEL.
 SOLDERING AREA: GOLD FLASH PLATING
 LOCK LEVER: TIN PLATING
 3. FINISH ; CONTACT AREA: 0.00076MIN GOLD
 ALL OVER NICKEL.
 SOLDERING AREA: GOLD FLASH PLATING
 LOCK LEVER: TIN PLATING
- △ COPLANARITY: 0.1 MAX. (BEFORE SOLDERING)
 △ THE FLOATING VALUE BY SOLDERING IS NOT INCLUDED.
 △ NOT MATING CONDITION.
6. IF THE MODULE DOESN'T INSERT AND LOCK IN THE LATCH SMOOTHLY,
 OPEN WIDE BOTH LATCHES BY MANUAL. AND THE MODULE MUST BE
 INSERTED AND LOCKED IN THE LATCH.

THIS DRAWING IS A CONTROLLED DOCUMENT.		DWN T.FUMIKURA 18SEP2007	Tyco Electronics Corporation Kawasaki, Japan	
DIMENSIONS: MM		CHK K.IKEGAMI 18SEP2007	NAME DDR3 SODIMM SOCKET 0.6mm PITCH 204POS 4mm HEIGHT STANDARD TYPE	
TOLERANCES UNLESS OTHERWISE SPECIFIED: 0 PLC ± 1 PLC ± 2 PLC ± 3 PLC ± 4 PLC ± ANGLES ±		APVD K.IKEGAMI 18SEP2007	PRODUCT SPEC 108-78493	
MATERIAL		FINISH	APPLICATION SPEC 108-78493	RESTRICTED TO
		WEIGHT 3.6g	SIZE A3	CAGE CODE 00779
		CUSTOMER DRAWING	DRAWING NO 2013022	REV B1
		SCALE 2:1	SHEET 1 OF 6	

4

3

2

1

THIS DRAWING IS UNPUBLISHED. RELEASED FOR PUBLICATION FEB , 2006.
 © COPYRIGHT 2006 BY TYCO ELECTRONICS CORPORATION. ALL RIGHTS RESERVED.

LOC	DIST	REVISIONS			
P	LTR	DESCRIPTION	DATE	DWN	APVD
	-	SEE SHEET 1	-	-	-

TOOLING STATUS	PACKING TYPE	BOSS TYPE	HOUSING COLOR	FINISH	POWER SUPPLY	POS	PART NO.
AVAILABLE	ENBOSS (SEE SHEET 6)	BOSSLESS	GRAY	NOTE 2-3	1.5V	204	3-2013022-6
AVAILABLE	ENBOSS (SEE SHEET 6)	BOSSLESS	GRAY	NOTE 2-2	1.5V	204	3-2013022-5
AVAILABLE	ENBOSS (SEE SHEET 6)	BOSSLESS	GRAY	NOTE 2-1	1.5V	204	3-2013022-4
AVAILABLE	ENBOSS (SEE SHEET 6)	WITH BOSS	BLACK	NOTE 2-3	1.5V	204	2-2013022-3
AVAILABLE	ENBOSS (SEE SHEET 6)	WITH BOSS	BLACK	NOTE 2-2	1.5V	204	2-2013022-2
AVAILABLE	ENBOSS (SEE SHEET 6)	WITH BOSS	BLACK	NOTE 2-1	1.5V	204	2-2013022-1
AVAILABLE	SEMI-HARD TRAY (SEE SHEET 5)	BOSSLESS	GRAY	NOTE 2-3	1.5V	204	1-2013022-6
AVAILABLE	SEMI-HARD TRAY (SEE SHEET 5)	BOSSLESS	GRAY	NOTE 2-2	1.5V	204	1-2013022-5
AVAILABLE	SEMI-HARD TRAY (SEE SHEET 5)	BOSSLESS	GRAY	NOTE 2-1	1.5V	204	1-2013022-4
AVAILABLE	SEMI-HARD TRAY (SEE SHEET 5)	WITH BOSS	BLACK	NOTE 2-3	1.5V	204	2013022-3
AVAILABLE	SEMI-HARD TRAY (SEE SHEET 5)	WITH BOSS	BLACK	NOTE 2-2	1.5V	204	2013022-2
AVAILABLE	SEMI-HARD TRAY (SEE SHEET 5)	WITH BOSS	BLACK	NOTE 2-1	1.5V	204	2013022-1

D

D

C

C

B

B

A

A

THIS DRAWING IS A CONTROLLED DOCUMENT.

GENERAL TOLERANCE
 10 ≥ : ±0.2
 30 ≥ > 10 : ±0.25
 100 ≥ > 30 : ±0.3
 ANGLES : ±3°

DIMENSIONS: MM	TOLERANCES UNLESS OTHERWISE SPECIFIED:
	0 PLC ± 1 PLC ± 2 PLC ± 3 PLC ± 4 PLC ± ANGLES ±
MATERIAL	FINISH

DWN
CHK
APVD
PRODUCT SPEC
APPLICATION SPEC
WEIGHT
CUSTOMER DRAWING

Tyco Electronics Tyco Electronics Corporation
Kawasaki, Japan

NAME: DDR3 SODIMM SOCKET
0.6mm PITCH 204POS
4mm HEIGHT STANDARD TYPE

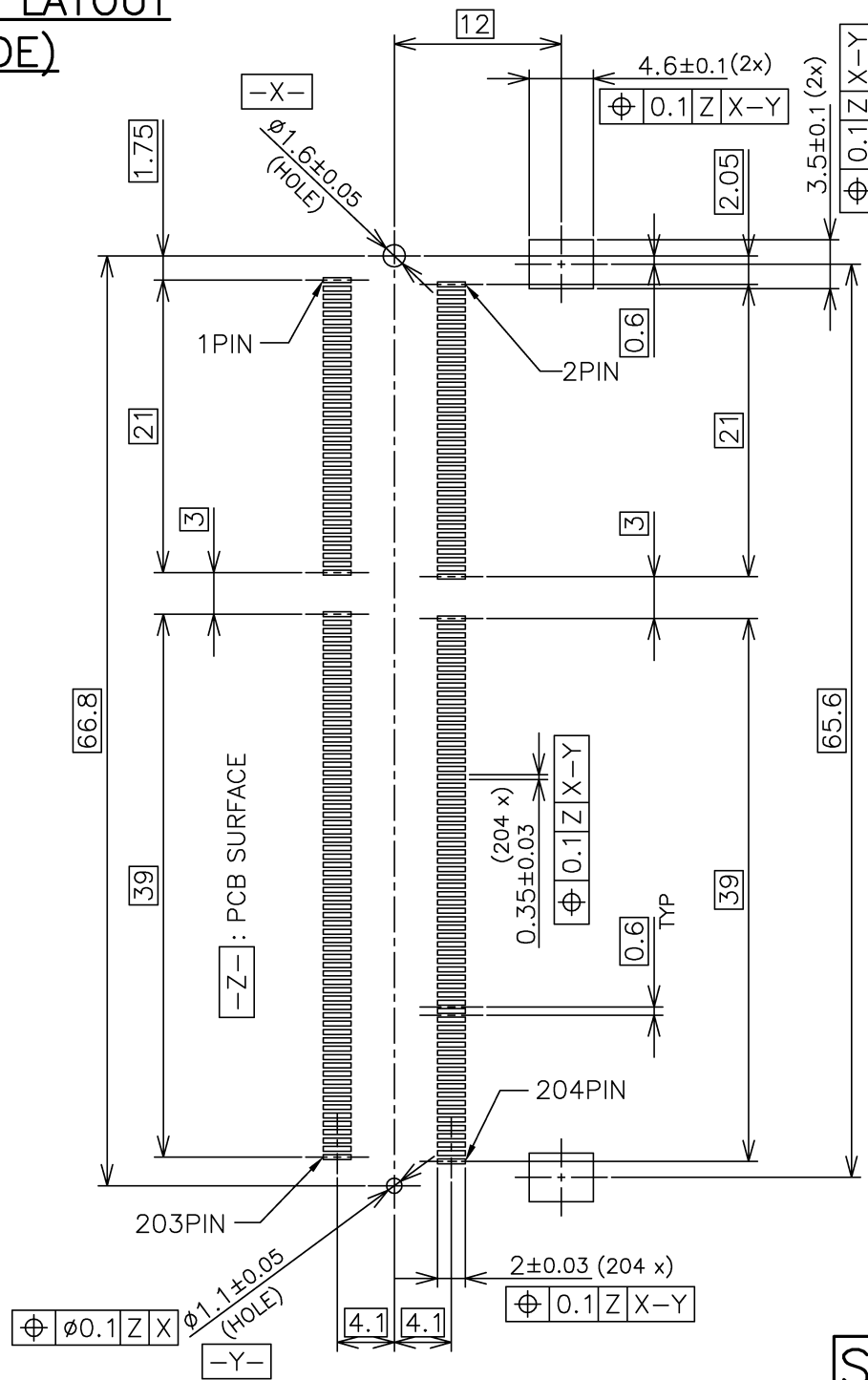
SIZE	CAGE CODE	DRAWING NO	RESTRICTED TO
A3	00779	G-2013022	-

SCALE: FREE SHEET 2 OF 6 REV B1

THIS DRAWING IS UNPUBLISHED. RELEASED FOR PUBLICATION FEB .2006.
 © COPYRIGHT 2006 BY TYCO ELECTRONICS CORPORATION. ALL RIGHTS RESERVED.

LOC	DIST	REVISIONS			
P	LTR	DESCRIPTION	DATE	DWN	APVD
J		SEE SHEET 1	-	-	-

REFERENCE P.C.BOARD PATTERN LAYOUT
(CONNECTOR MOUNTING SIDE)



STD TYPE

THIS DRAWING IS A CONTROLLED DOCUMENT.		DWN		Tyco Electronics Corporation Kawasaki, Japan																			
DIMENSIONS: MM		TOLERANCES UNLESS OTHERWISE SPECIFIED:		NAME DDR3 SODIMM SOCKET 0.6mm PITCH 204POS 4mm HEIGHT STANDARD TYPE																			
<table border="1"> <tr><td>0</td><td>PLC</td><td>±</td></tr> <tr><td>1</td><td>PLC</td><td>±</td></tr> <tr><td>2</td><td>PLC</td><td>±</td></tr> <tr><td>3</td><td>PLC</td><td>±</td></tr> <tr><td>4</td><td>PLC</td><td>±</td></tr> <tr><td colspan="2">ANGLES</td><td>±</td></tr> </table>		0	PLC	±	1	PLC	±	2	PLC	±	3	PLC	±	4	PLC	±	ANGLES		±	APVD		SIZE A3	
0	PLC	±																					
1	PLC	±																					
2	PLC	±																					
3	PLC	±																					
4	PLC	±																					
ANGLES		±																					
MATERIAL		FINISH		CAGE CODE 00779																			
				DRAWING NO 2013022																			
				RESTRICTED TO																			
		CUSTOMER DRAWING		SCALE 2:1																			
				SHEET 3 OF 6																			
				REV B1																			

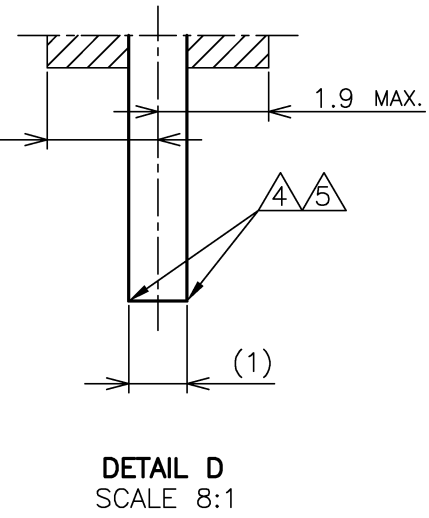
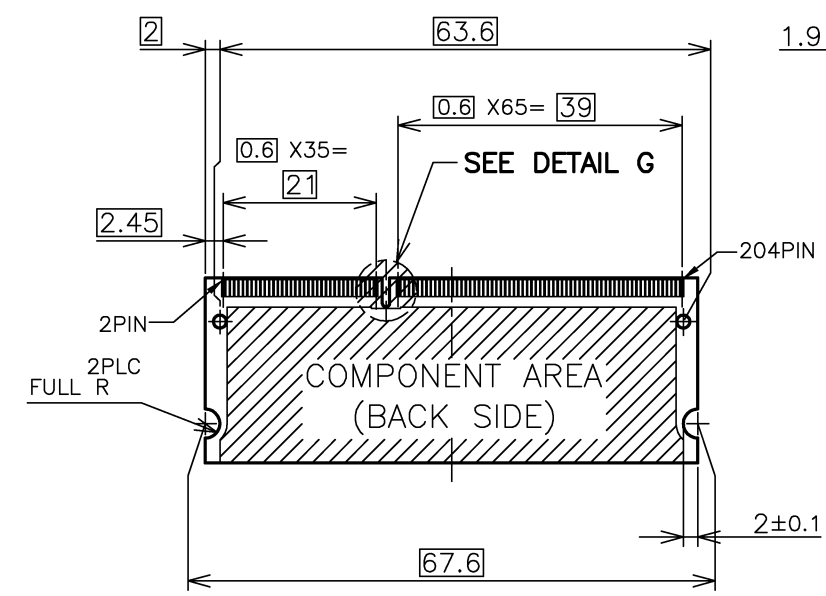
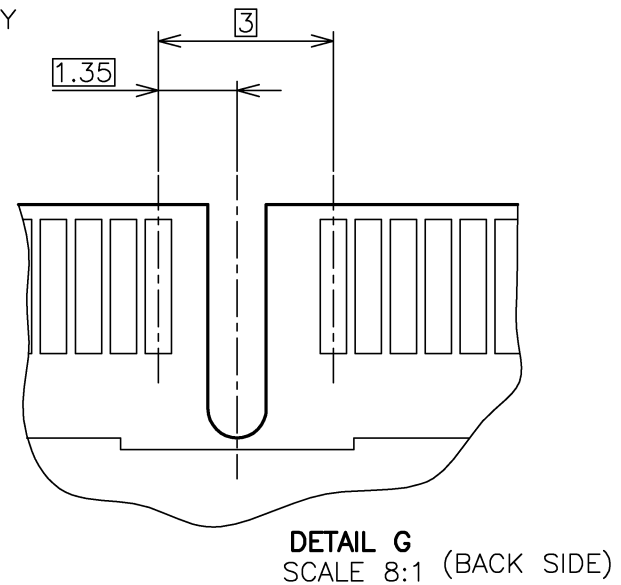
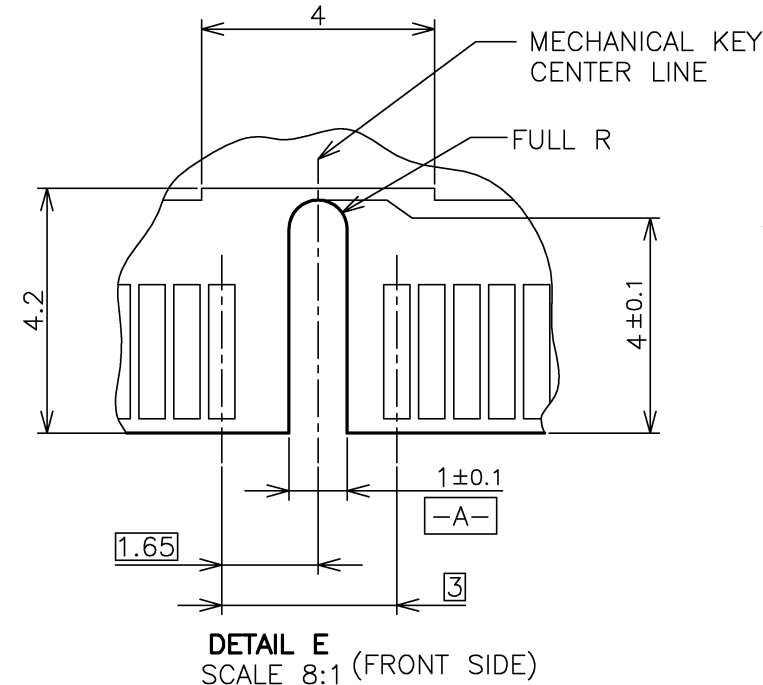
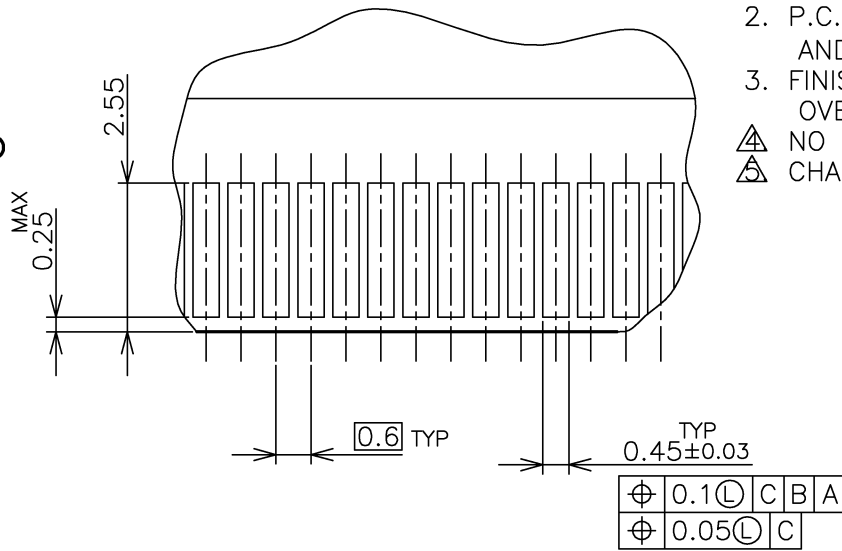
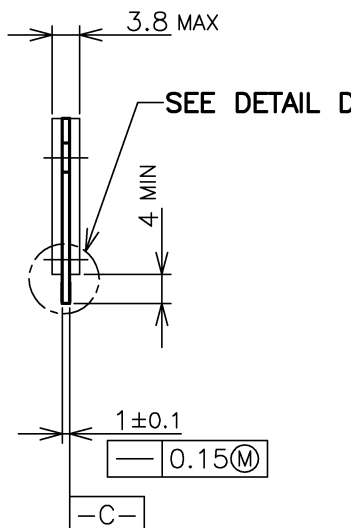
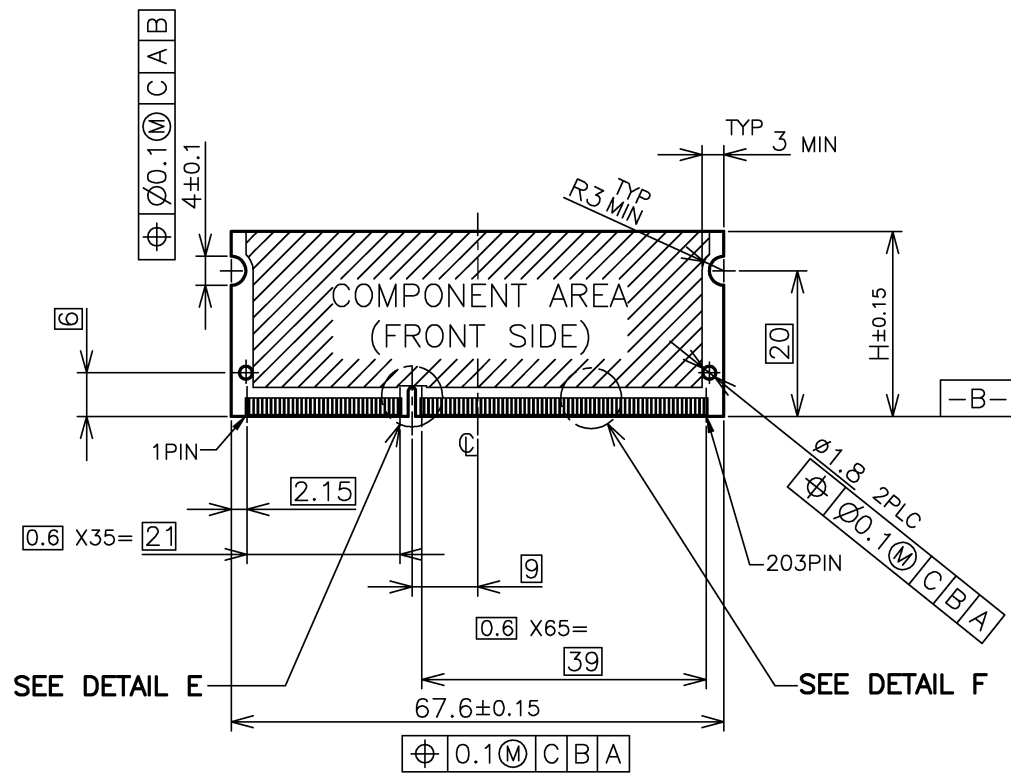
LOC	DIST	REVISIONS			
P	LTR	DESCRIPTION	DATE	DWN	APVD
J		SEE SHEET 1	-	-	-

REFERENCE MATING P.C.B CONFIGURATION

DETAIL F
SCALE 8:1

(APPLIED TO SHEET 4)

- TOLERANCES ON ALL DIMENSIONS ± 0.15 UNLESS OTHERWISE SPECIFIED.
 - P.C. BOARD THICKNESS APPLIES ACROSS TABS AND INCLUDES PLATING AND/OR METALIZATION.
 - FINISH OF PAD : GOLD PLATING 0.00076 MIN. OVER Ni PLATING 0.002MIN.
- NO BURR
 CHAMFER 0.25 MAX x 45° IF EXIST.

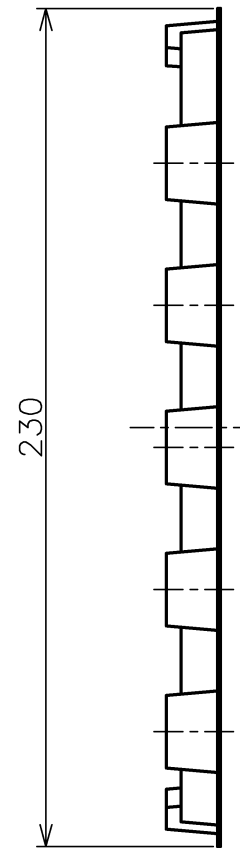
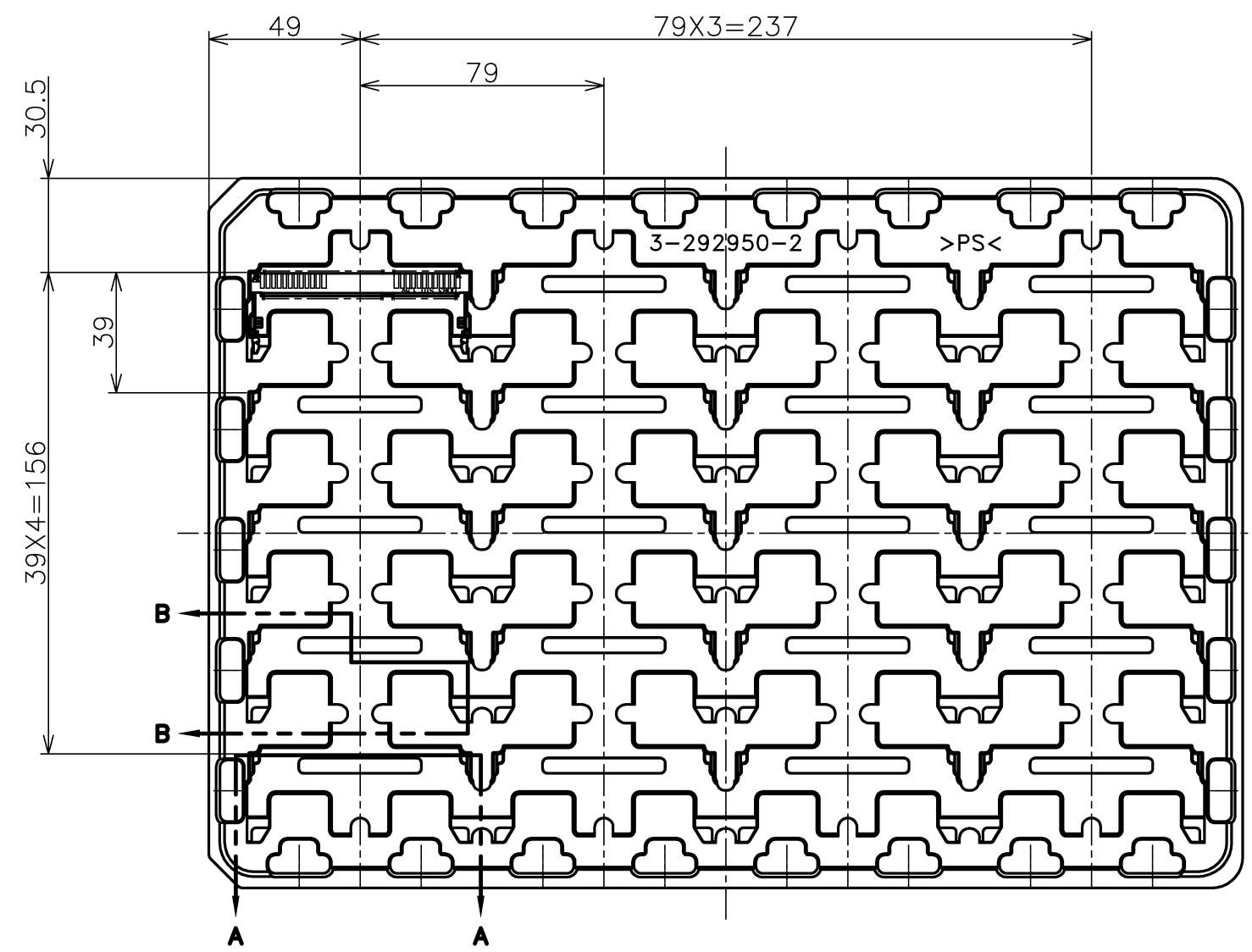


30	CA
31.75	BA
25.4	AA
H	SDRAM VARIATIONS

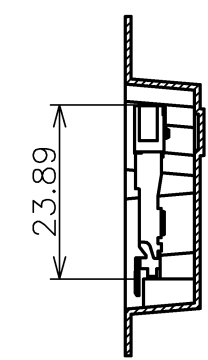
THIS DRAWING IS A CONTROLLED DOCUMENT.		DWN		Tyco Electronics Corporation Kawasaki, Japan	
DIMENSIONS: MM		CHK		NAME	
TOLERANCES UNLESS OTHERWISE SPECIFIED:		APVD		DDR3 SODIMM SOCKET 0.6mm PITCH 204POS 4mm HEIGHT STANDARD TYPE	
0 PLC ±		PRODUCT SPEC		SIZE	
1 PLC ±		APPLICATION SPEC		CAGE CODE	
2 PLC ±		WEIGHT		DRAWING NO	
3 PLC ±		CUSTOMER DRAWING		RESTRICTED TO	
4 PLC ±		SCALE		SHEET	
ANGLES ±		2:1		4 OF 6	
FINISH ±		REV		B1	

THIS DRAWING IS UNPUBLISHED. RELEASED FOR PUBLICATION FEB .2006.
 © COPYRIGHT 2006 BY TYCO ELECTRONICS CORPORATION. ALL RIGHTS RESERVED.

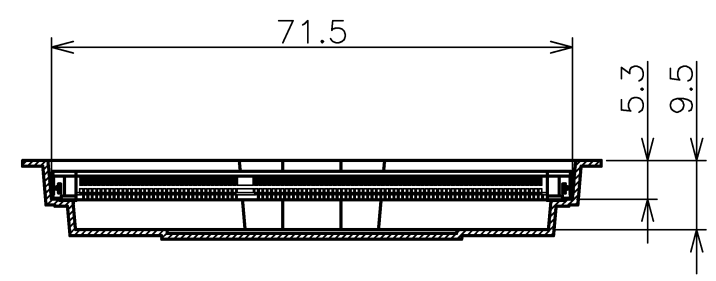
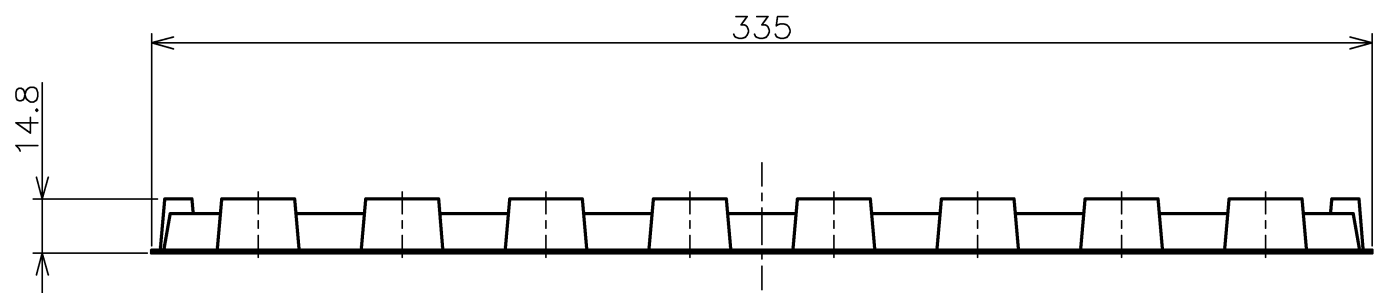
LOC	DIST	REVISIONS			
P	LTR	DESCRIPTION	DATE	DWN	APVD
J	/	SEE SHEET 1	-	-	-



(APPLIED TO SHEET 5)
 1. THE DIRECTION OF EACH CONNECTOR ON A TRAY IS REFERRED TO THIS DRAWING.
 2. GENERAL TOLERANCE: ±0.5, ±3'



B-B
SCALE 1:1

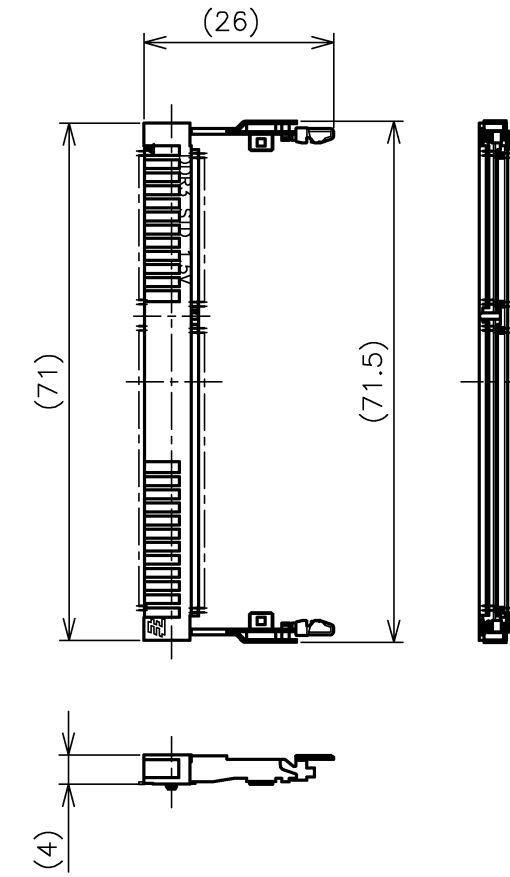
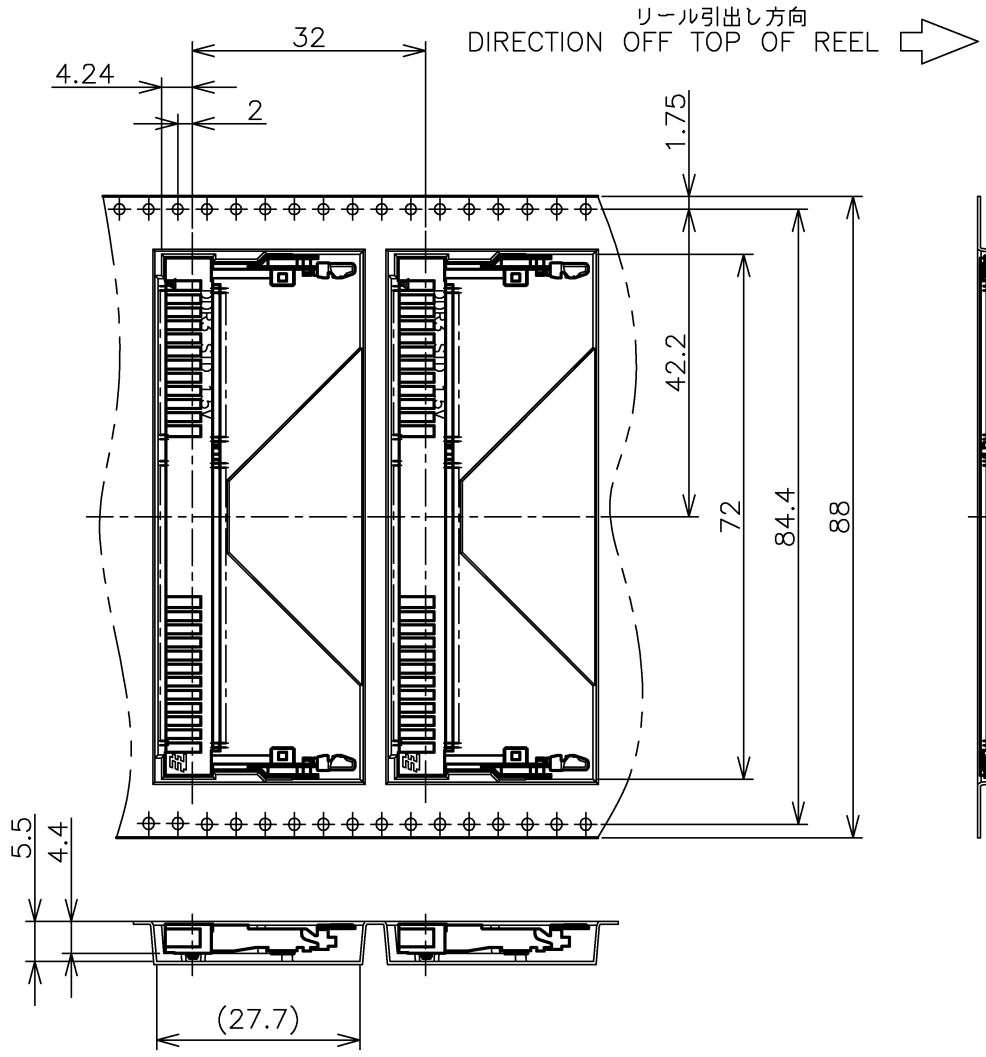


A-A
SCALE 1:1
(180DEG. ROTATE)

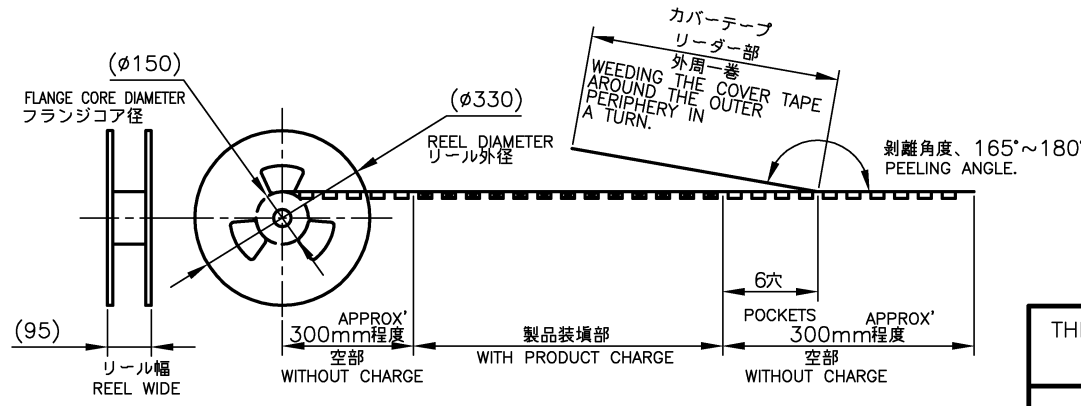
240EA	20EA	*-2013022-*
QTY/BOX	QTY/TRAY	PART NO.

THIS DRAWING IS A CONTROLLED DOCUMENT.		DWN		Tyco Electronics Corporation Kawasaki, Japan	
DIMENSIONS: MM		CHK		NAME	
TOLERANCES UNLESS OTHERWISE SPECIFIED:		APVD		DDR3 SODIMM SOCKET 0.6mm PITCH 204POS 4mm HEIGHT STANDARD TYPE	
0 PLC ± 0.5		PRODUCT SPEC		SIZE	
1 PLC ± 0.5		APPLICATION SPEC		CAGE CODE	
2 PLC ± 0.5		WEIGHT		DRAWING NO	
3 PLC ± 0.5		CUSTOMER DRAWING		RESTRICTED TO	
4 PLC ± 0.5		SCALE 1:2		SHEET 5 OF 6	
ANGLES ± 3'		REV B1		REV	
FINISH		A3 00779		G-2013022	

LOC	DIST	REVISIONS			
P	LTR	DESCRIPTION	DATE	DWN	APVD
J	/	SEE SHEET 1	-	-	-



(APPLIED TO SHEET 6)
 1. THE DIRECTION OF EACH CONNECTOR ON A EMBOSS IS REFERRED TO THIS DRAWING.
 2. GENERAL TOLERANCE: $\pm 0.5, \pm 3'$



FREE SCALE

THIS DRAWING IS A CONTROLLED DOCUMENT.		DWN		Tyco Electronics Corporation Kawasaki, Japan	
DIMENSIONS: MM		CHK		NAME	
TOLERANCES UNLESS OTHERWISE SPECIFIED:		APVD		DDR3 SODIMM SOCKET 0.6mm PITCH 204POS 4mm HEIGHT STANDARD TYPE	
0 PLC ± 0.5		PRODUCT SPEC		SIZE	
1 PLC ± 0.5		APPLICATION SPEC		CAGE CODE	
2 PLC ± 0.5		WEIGHT		DRAWING NO	
3 PLC ± 0.5		CUSTOMER DRAWING		RESTRICTED TO	
4 PLC ± 0.5		SCALE		A3 00779 C-2013022	
ANGLES $\pm 3'$		1:1		SHEET 6 OF 6	
MATERIAL		REV		B1	