

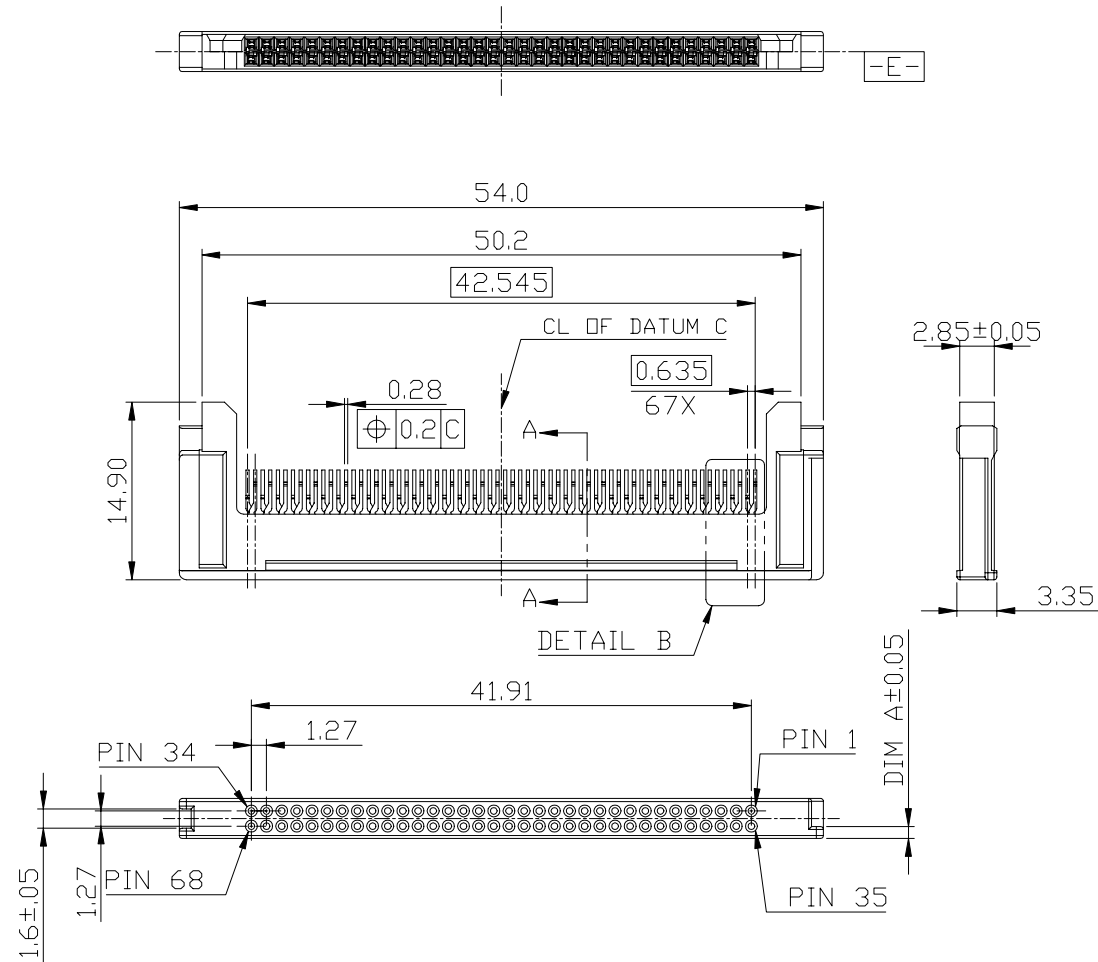
Tous droits strictement reserves. Reproduction ou communication a des tiers interdite sous quelque forme que ce soit sans autorisation ecrite du proprietaire. Propriete de c FCI. Droits de reproduction FCI.

**FCI**

All rights strictly reserved. Reproduction or issue to third parties in any form whatever is not permitted without written authority from the proprietor. Property of FCI. Copyright FCI.

PRODUCT NO.	DIM A	VOLTAGE KEY	BOARD OFFSET DIM C	PACKING
10014744				
-002	1.0	5.0V	0.3	SEE NOTE 5 FOR DETAIL DESCRIPTION
-003	1.0	5.0V	0	
-004	1.0	5.0V	-0.3	
-006	2.1	3.3V	0.3	
-007	2.1	3.3V	0	
-008	2.1	3.3V	-0.3	
-011	1.0	5.0V	0.6	
-012	2.1	3.3V	0.6	
-013	1.0	5.0V	-0.6	
-014	2.1	3.3V	-0.6	
-015	1.0	5.0V	-0.8	
-021	1.0	5.0V	0	

(NOTE: -021 IS REVERSED TYPE)

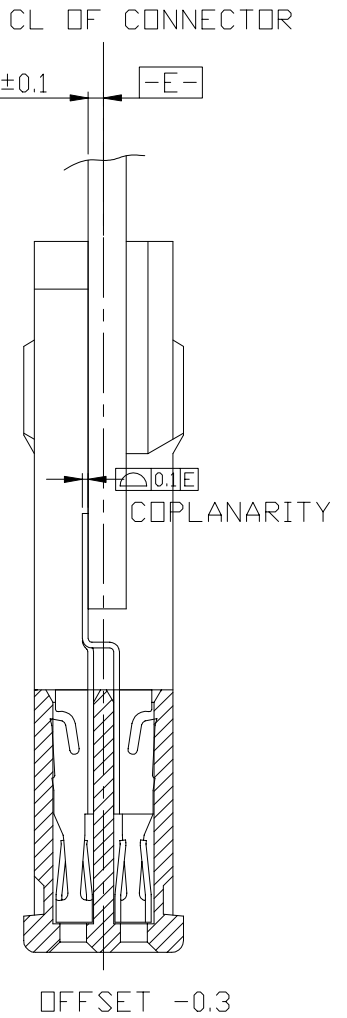
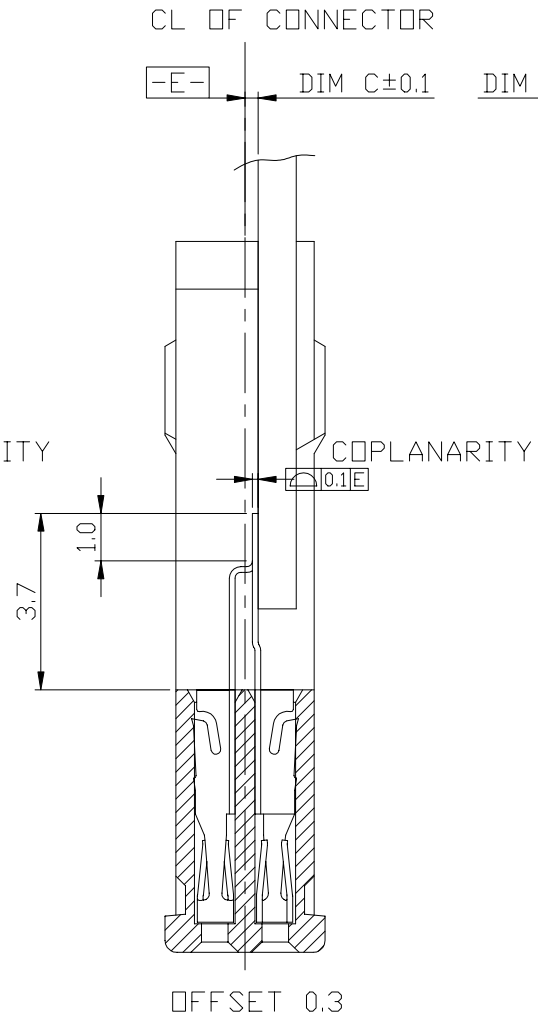
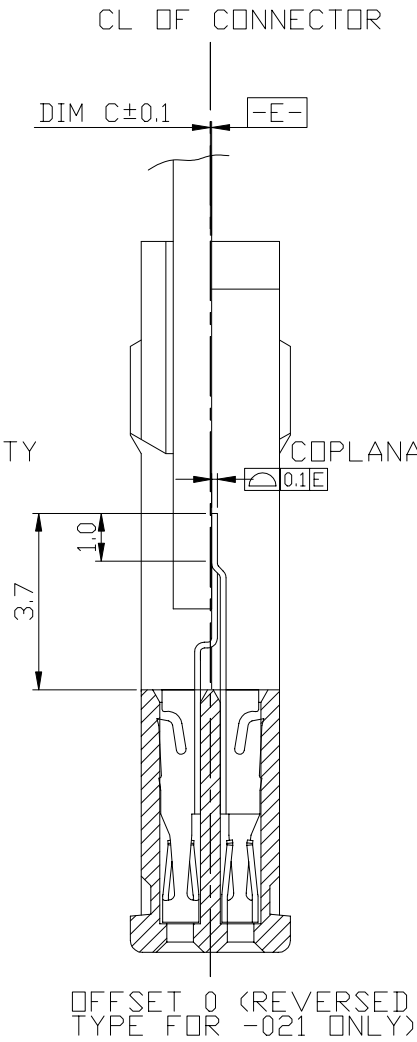
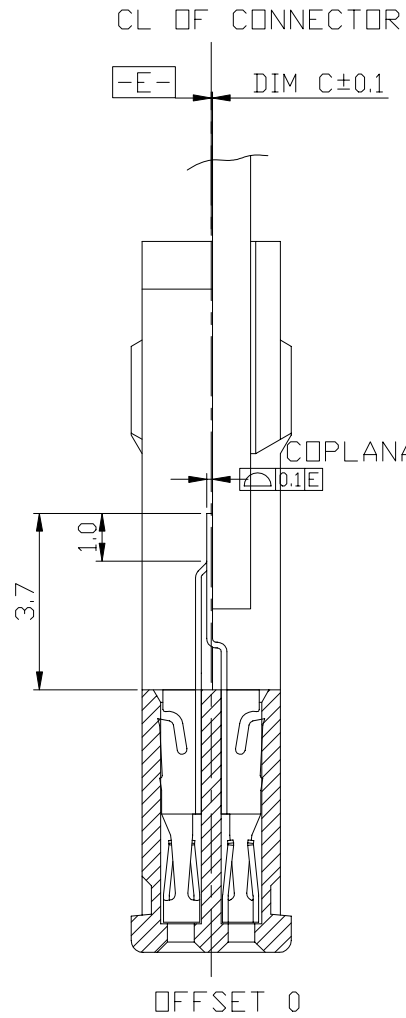


mat'l. code				tolerances unless otherwise specified				CUSTOMER COPY		 www.fciconnect.com	
ltr	ecn no	dr	date	.X ±.3		linear		projection	title		
A	T20365	TAI	12/17/02	.XX ±.13					68PIN PCMCIA RECEPTACLE ASS'Y		
B	T03-0042	TAI	01/30/03	.XXX ±.050					product family PCMCIA code -		
C	T03-0099	TAI	03/21/03	° ±2°		angles		 MM scale 1:1	size dwg no		sheet
				dr	KENNY TAI	12/17/02			A3 10014744		1 of 4
				enfr	KENNY TAI	12/17/02					
				chr	KENNY TAI	12/17/02					
				appd	PAUL WANG	12/17/02					
sheet index	revision sheet	C	B	B	B	B					
		1	2	3	4						

Tous droits strictement reserves. Reproduction ou communication a des tiers interdite sous quelque forme que ce soit sans autorisation ecrite du propriétaire. Propriete de c FCI. Droits de reproduction FCI.

All rights strictly reserved. Reproduction or issue to third parties in any form whatever is not permitted without written authority from the proprietor. Property of FCI. Copyright FCI.

**A**  
**FCI**



mat'l. code				tolerances unless otherwise specified		CUSTOMER COPY	<b>A</b> <b>FCI</b> www.fciconnect.com		
ltr	ecn no	dr	date	linear	.X ±.3	projection	title		
B					.XX ±.13		68PIN PCMCIA RECEPTACLE ASS'Y		
					.XXX ±.050		product family PCMCIA		code
				angles	0° ±2°	MM	size	dwg no	
		dr	KENNY TAI 12/17/02				A3	10014744	sheet 2 of
		enr	KENNY TAI 12/17/02			scale			
		chr	KENNY TAI 12/17/02			1:1			
		appd	PAUL WANG 12/17/02						
sheet index	revision sheet								

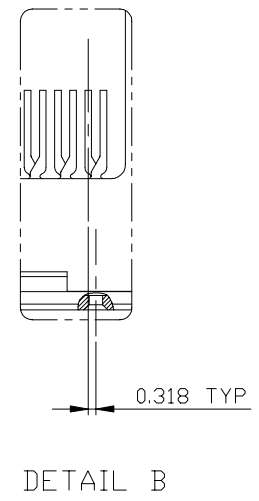
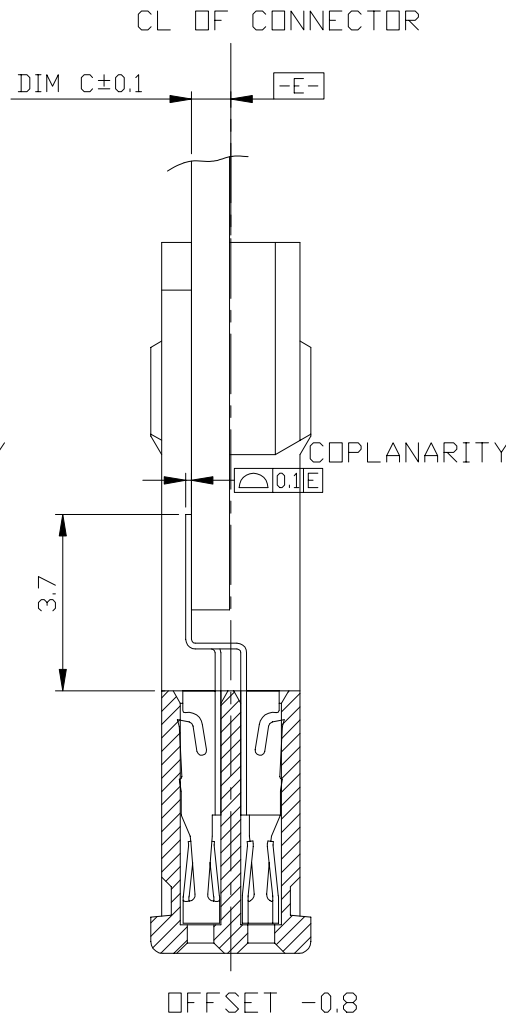
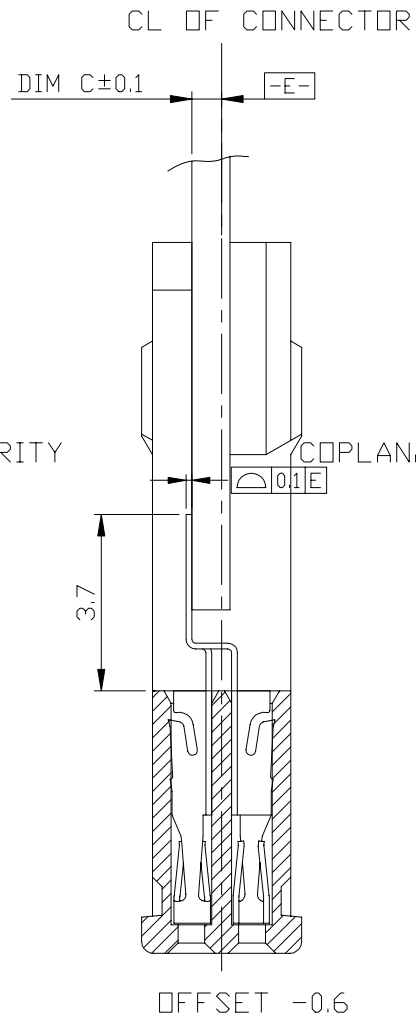
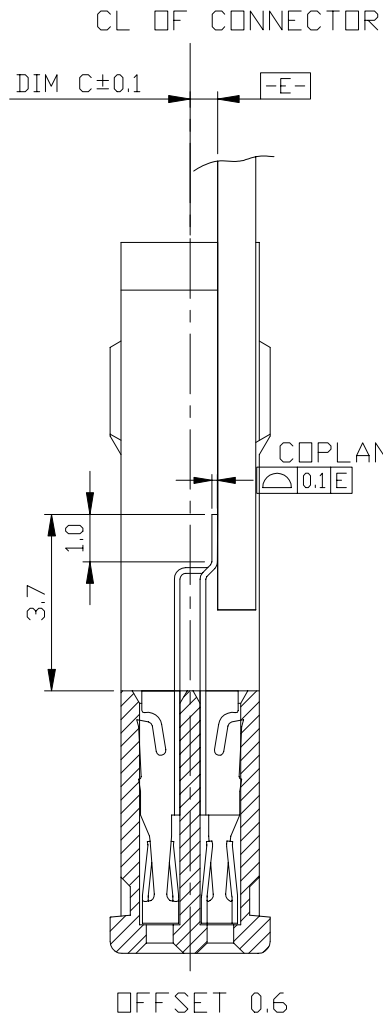
Tous droits strictement reserves. Reproduction ou communication a des tiers interdite sous quelque forme que ce soit sans autorisation ecrite du propriétaire. Propriete de c FCI. Droits de reproduction FCI.

**A**  
**FCI**

All rights strictly reserved. Reproduction or issue to third parties in any form whatever is not permitted without written authority from the proprietor. Property of FCI. Copyright FCI.

A

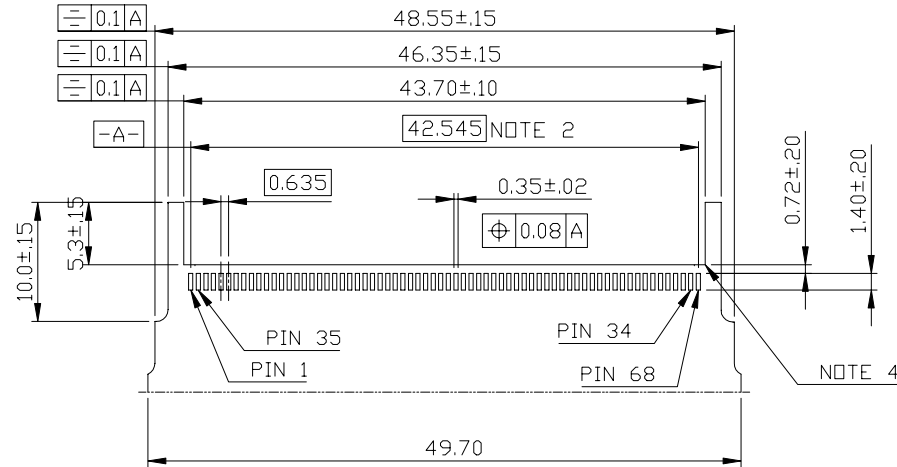
B



A

B

mat'l. code				tolerances unless otherwise specified		CUSTOMER COPY	<b>A</b> <b>FCI</b> www.fciconnect.com	
ltr	ecn no	dr	date	linear	.X ±.3	projection	title	
B					.XX ±.13		68PIN PCMCIA RECEPTACLE ASS'Y	
				angles	.XXX ±.050	MM	product family	code
				dr	0° ±2°		PCMCIA	-
				enr	KENNY TAI 12/17/02	scale	size	dwg no
				chr	KENNY TAI 12/17/02		1:1	A3
				appd	PAUL WANG 12/17/02			sheet
sheet index	revision sheet							3 of



RECOMMENDED P.C.B. LAYOUT

NOTE:

- MATERIAL:  
CONTACT: PHBR 0.12±  
HOUSING: LCP UL94V-0 (COLOR: BLACK)  
FINISH:  
CONTACT: ALL OVER--- Ni UNDER 0.5 MICRON THK.  
CONTACT AREA--- Au 0.38 MICRON THK.  
SOLDER TAIL---TIN LEAD 2.5 MICRON THK.
- MAXIMUM PCB BOW ON THIS DIMENSION IS 0.1mm.
- PACKING SPEC. REFER TO GS-14-723.
- ELIMINATE THE CORNER TO PREVENT INTERFERENCE WITH SOLDER TAIL.
- XXX USE STD. PACKAGE, 1872 PCS / CARTON;  
-XXXT USE TAPE AND REEL, 750 PCS / REEL;  
-XXXS USE STD. PACKAGE, 200 PCS / CARTON;  
-XXXXA USE TAPE AND REEL, 600 PCS / REEL.

mat'l. code				tolerances unless otherwise specified				CUSTOMER COPY		 www.fciconnect.com	
ltr	ecn no	dr	date	linear	.X ±.3		projection	title			
B					.XX ±.13			68PIN PCMCIA RECEPTACLE ASS'Y			
					.XXX ±.050					product family PCMCIA	
				angles	0° ±2°		 MM	size		sheet	
				dr	KENNY TAI	12/17/02		A3		4 of	
				enrg	KENNY TAI	12/17/02	10014744				
				chr	KENNY TAI	12/17/02	1:1				
				appd	PAUL WANG	12/17/02					
sheet index	revision sheet										