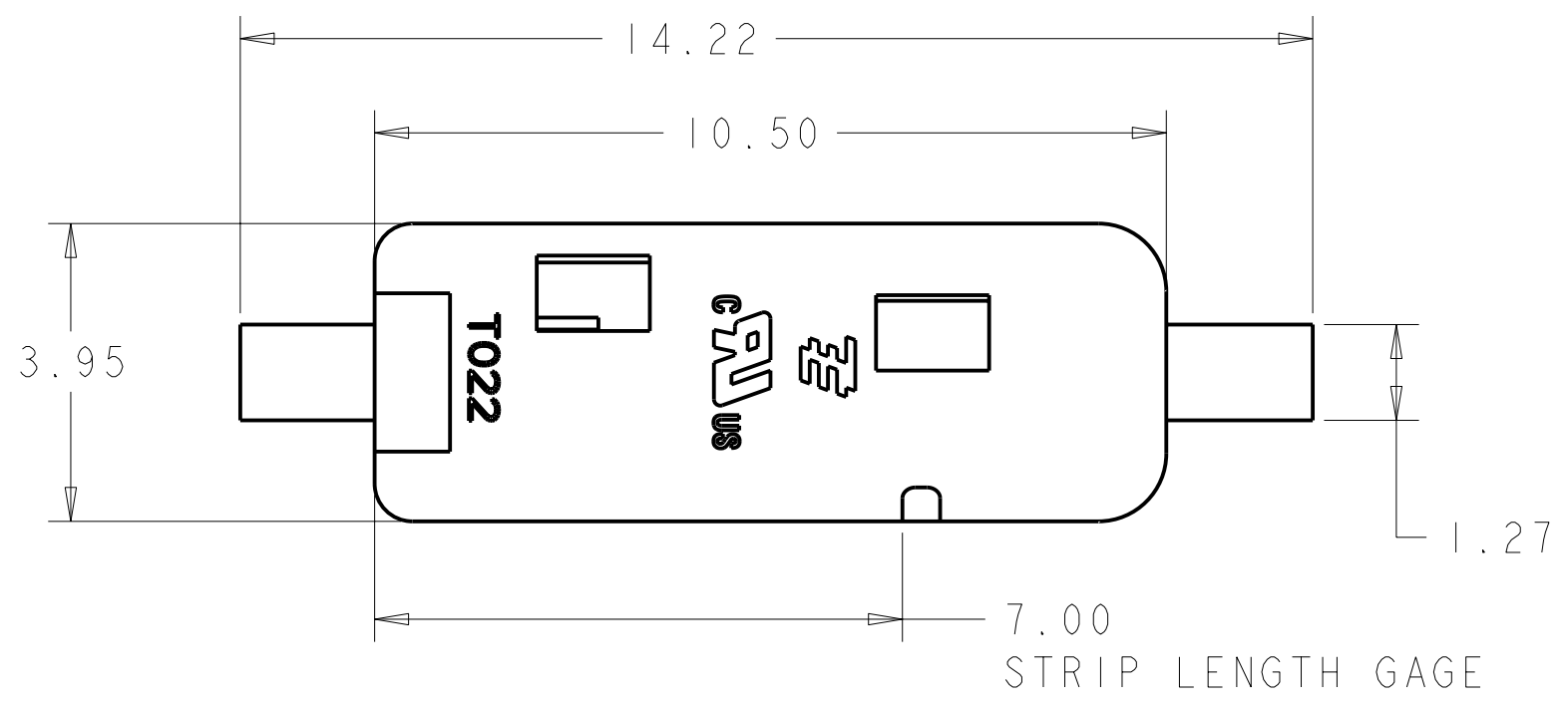
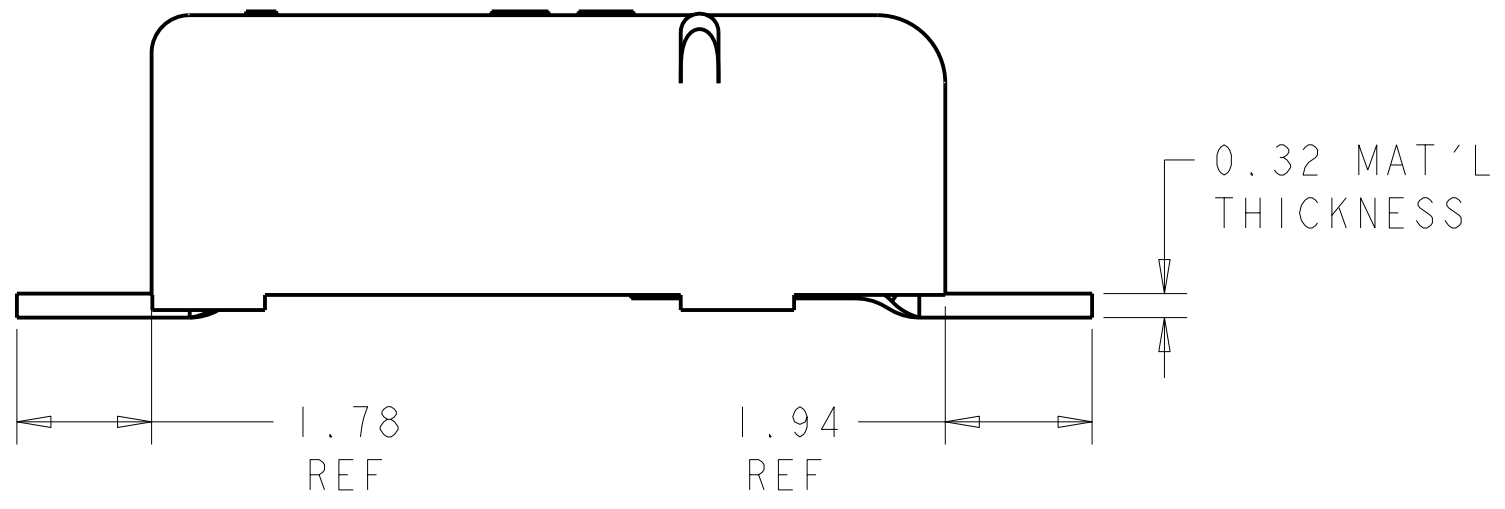
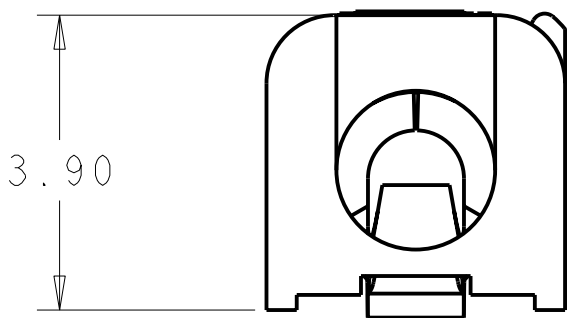


THIS DRAWING IS UNPUBLISHED. RELEASED FOR PUBLICATION 20  
 © COPYRIGHT 20 BY TYCO ELECTRONICS CORPORATION. ALL RIGHTS RESERVED.

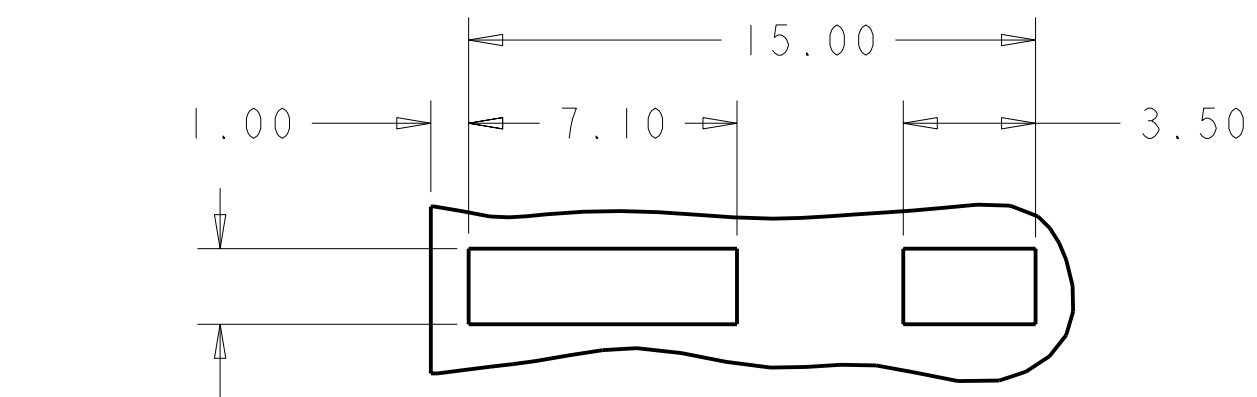
REVISIONS					
P	LTR	DESCRIPTION	DATE	DWN	APVD
A		REVISED PER ECR-09-012308	16JUN2009	HMR	DD



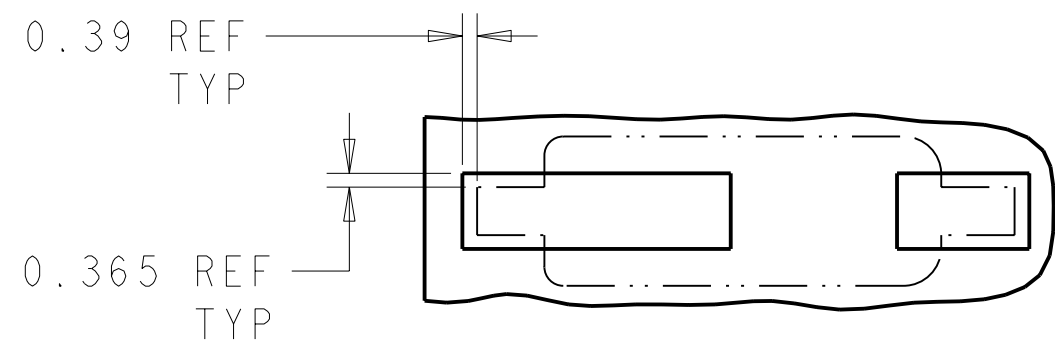
- ⚠ MATERIALS AND FINISH:  
 - HOUSING: LCP  
 - CONTACTS: COPPER ALLOY, FINISH: TIN
- MUST COMPLY WITH DIRECTIVE 2002/95/EC (ROHS)
  - THIS PRODUCT HAS NOT COMPLETED VALIDATION TESTING
  - WIRE TYPES AND SIZES ACCEPTED  
 18 AND 20 AWG SOLID WIRE  
 18 AND 20 AWG PREBOND STRANDED WIRE  
 18 AWG STRANDED WIRE (7, 9 AND 16 STRAND COUNT)  
 MAX INSULATION OD: 2.10 MM (.083")  
 STRIP LENGTH: 7.0±1.0 (.276")
  - PACKAGED IN TAPE AND REEL



2008683-1 &  
 1-2008683-1 SHOWN



RECOMMENDED PCB LAYOUT  
 SCALE 5:1



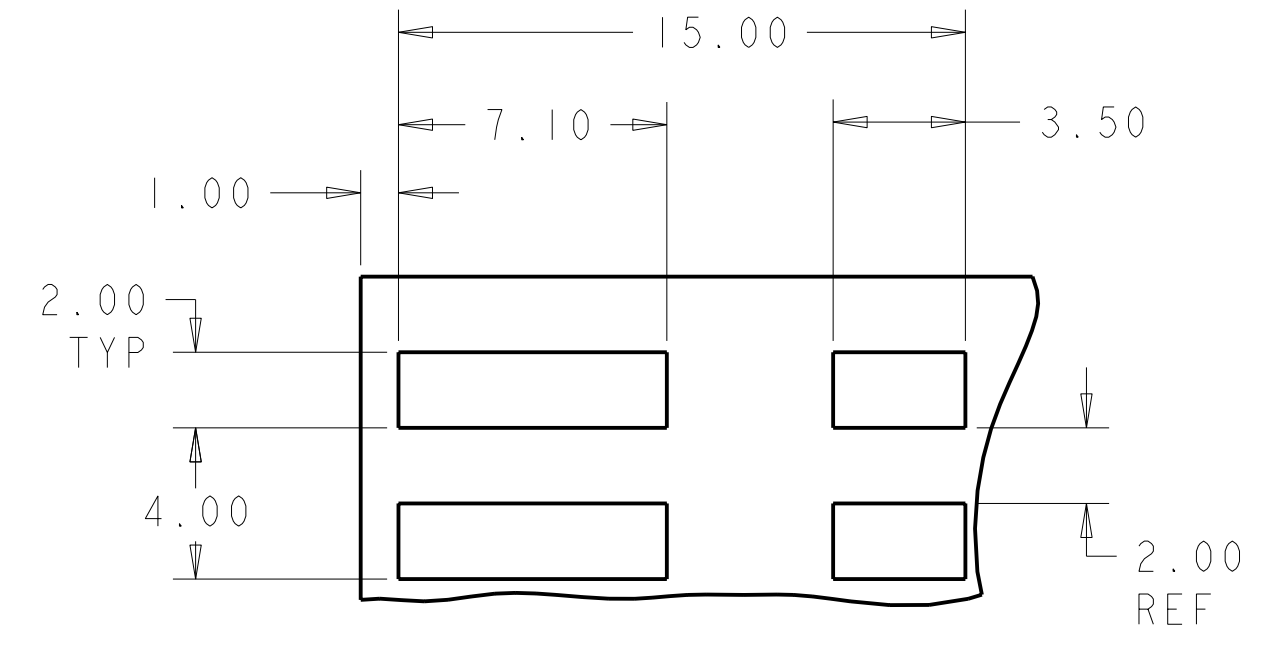
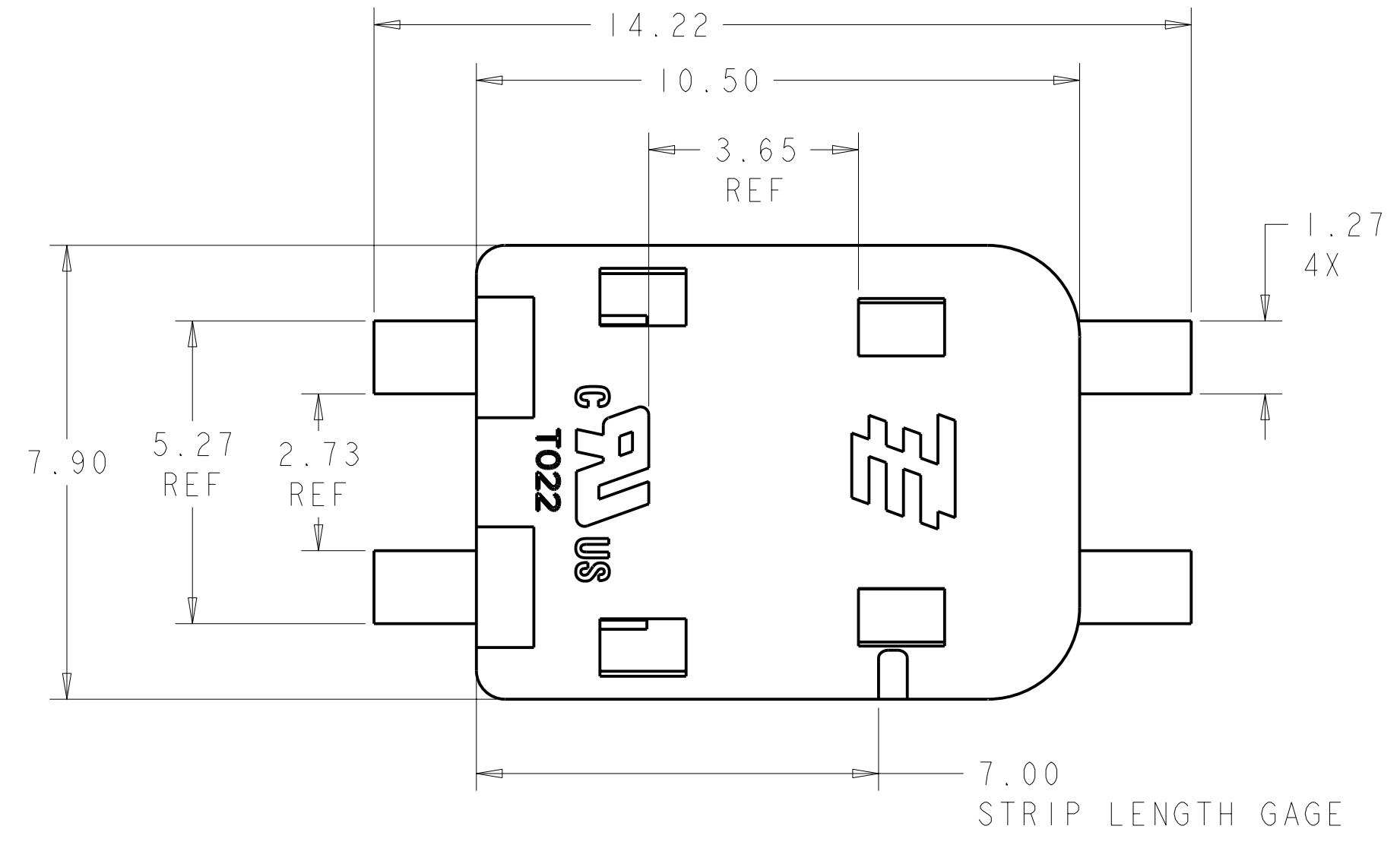
RECOMMENDED CONNECTOR PLACEMENT  
 SCALE 5:1

2 POSN, THRU HOLE, BLACK	1-2008683-4
1 POSN, THRU HOLE, BLACK	1-2008683-3
2 POSN, SMT, BLACK	1-2008683-2
1 POSN, SMT, BLACK	1-2008683-1
2 POSN, THRU HOLE, NATURAL	2008683-4
1 POSN, THRU HOLE, NATURAL	2008683-3
2 POSN, SMT, NATURAL	2008683-2
1 POSN, SMT, NATURAL	2008683-1
DESCRIPTION	PART NUMBER

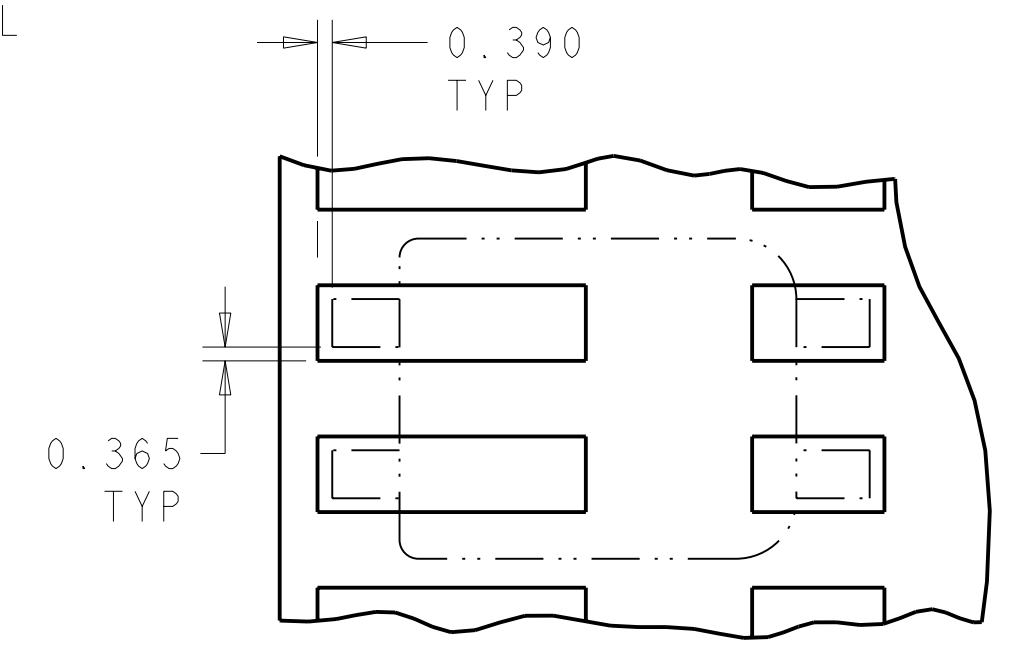
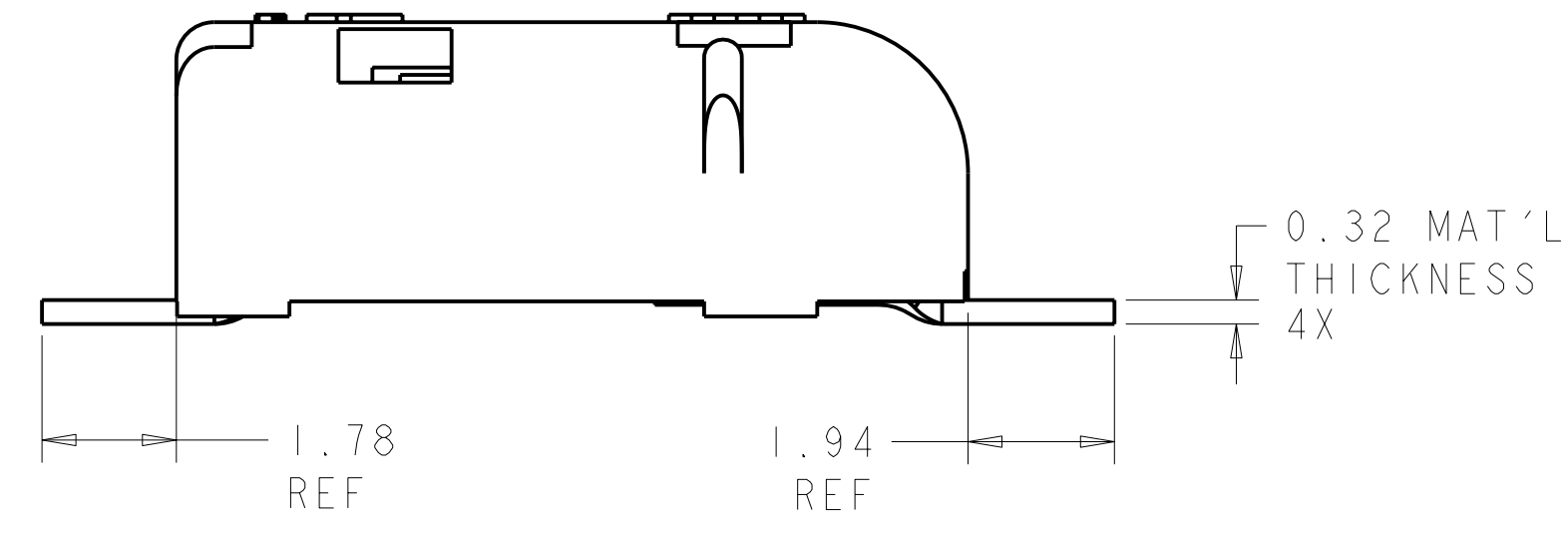
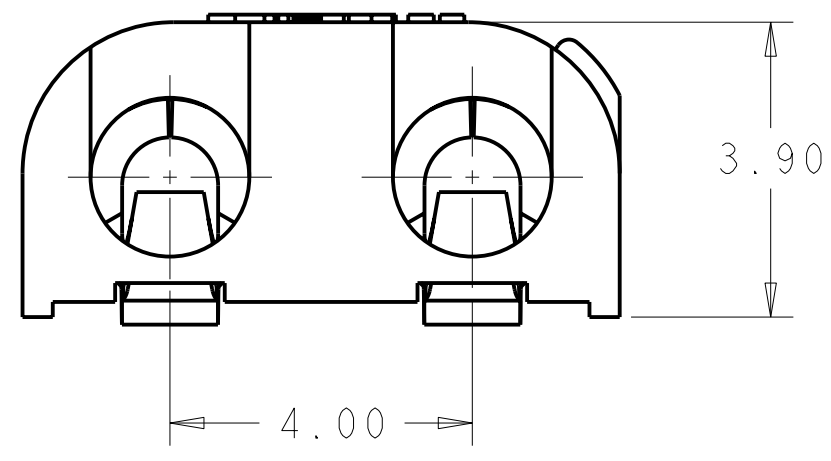
THIS DRAWING IS A CONTROLLED DOCUMENT FOR TYCO ELECTRONICS CORPORATION IT IS SUBJECT TO CHANGE AND THE CONTROLLING ENGINEERING ORGANIZATION SHOULD BE CONTACTED FOR THE LATEST REVISION.		DWN S. FISHER 07DEC2007 CHK S. HORST 07DEC2007 APVD -	Tyco Electronics Harrisburg, PA 17105-3608
DIMENSIONS: mm	TOLERANCES UNLESS OTHERWISE SPECIFIED: 0 PLC ± 1 PLC ±0.5 2 PLC ±0.10 3 PLC ± 4 PLC ± ANGLES ±3° FINISH	PRODUCT SPEC - APPLICATION SPEC - WEIGHT -	NAME CONNECTOR ASSEMBLY, POKE-IN, LOW INSERTION FORCE SIZE CAGE CODE DRAWING NO RESTRICTED TO A200779 C-2008683 -
MATERIAL ⚠ - ⚠ -		CUSTOMER DRAWING	SCALE 1:1 SHEET 1 OF 6 REV A

THIS DRAWING IS UNPUBLISHED. RELEASED FOR PUBLICATION 20  
 © COPYRIGHT 20 BY TYCO ELECTRONICS CORPORATION. ALL RIGHTS RESERVED.

LOC		DIST		REVISIONS			
P	LTR	DESCRIPTION	DATE	DWN	APVD		
-	-	SEE SHEET 1	-	-	-		



RECOMMENDED PCB LAYOUT  
SCALE 5:1



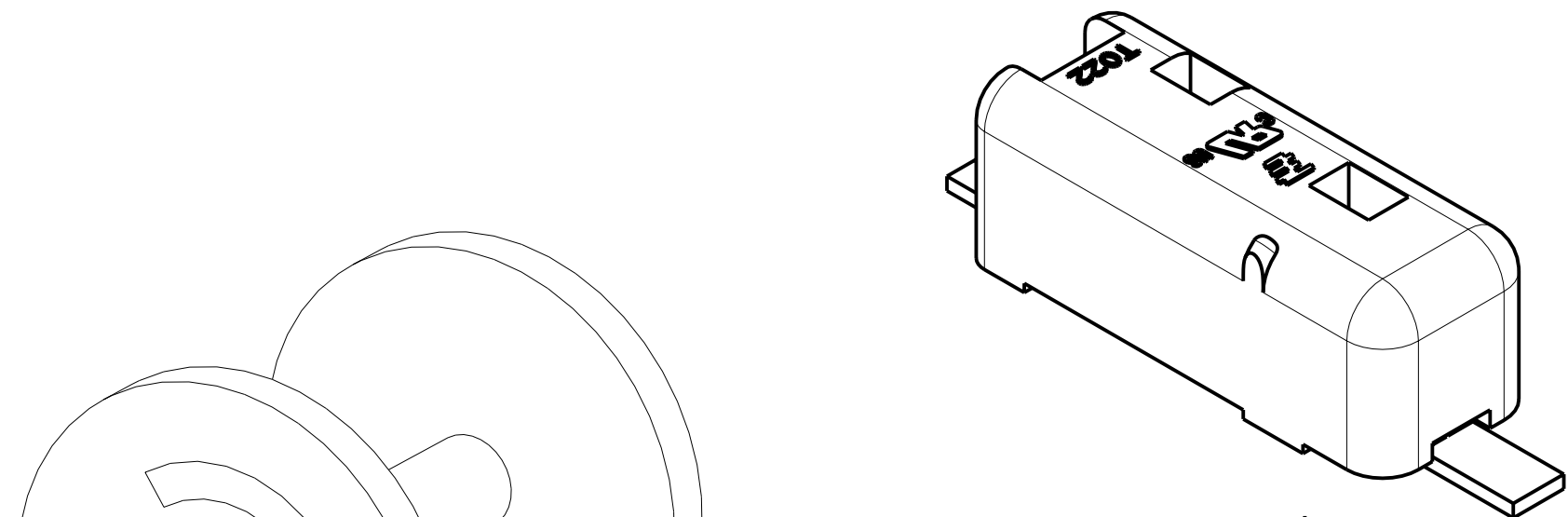
RECOMMENDED CONNECTOR PLACEMENT  
SCALE 5:1

2008683-2 &  
1-2008683-2 SHOWN

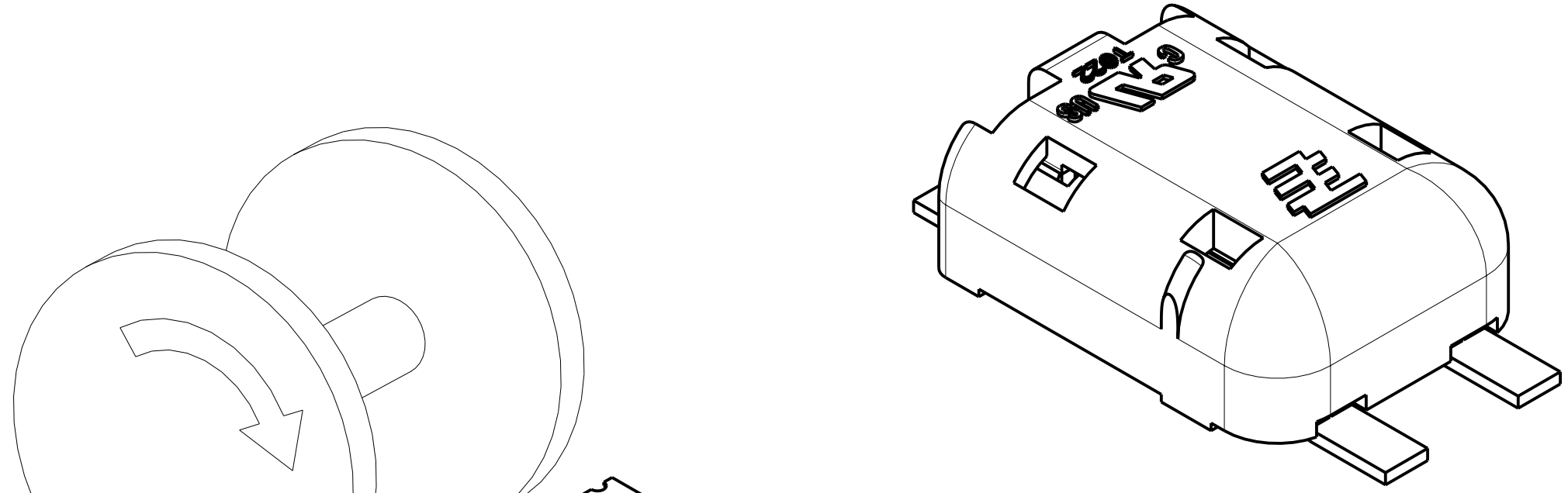
THIS DRAWING IS A CONTROLLED DOCUMENT FOR TYCO ELECTRONICS CORPORATION IT IS SUBJECT TO CHANGE AND THE CONTROLLING ENGINEERING ORGANIZATION SHOULD BE CONTACTED FOR THE LATEST REVISION.		DWN S. FISHER 07DEC2007	Tyco Electronics Harrisburg, PA 17105-3608	
DIMENSIONS: mm		CHK S. HORST 07DEC2007	NAME	
TOLERANCES UNLESS OTHERWISE SPECIFIED: 0 PLC ± 1 PLC ±0.5 2 PLC ±0.10 3 PLC ± 4 PLC ± ANGLES ±3° FINISH		APVD -	PRODUCT SPEC -	
MATERIAL -		APVD -	APPLICATION SPEC -	
		WEIGHT -	RESTRICTED TO	
CUSTOMER DRAWING		SCALE 1:1	SHEET 2 OF 6	REV A

THIS DRAWING IS UNPUBLISHED. RELEASED FOR PUBLICATION 20  
 © COPYRIGHT 20 BY TYCO ELECTRONICS CORPORATION. ALL RIGHTS RESERVED.

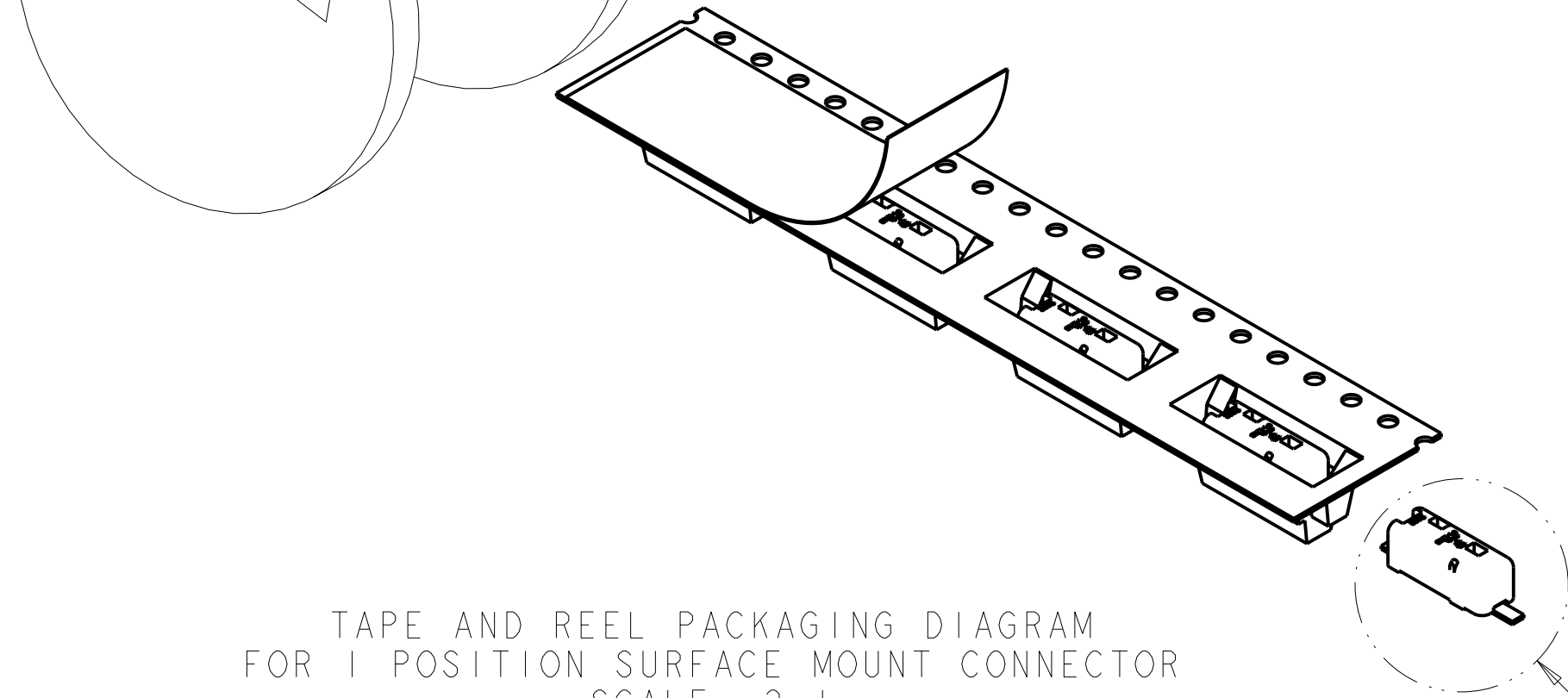
LOC		DIST		REVISIONS			
P	LTR	DESCRIPTION	DATE	DWN	APVD		
-	-	SEE SHEET 1	-	-	-		



DETAIL A  
SCALE 8:1

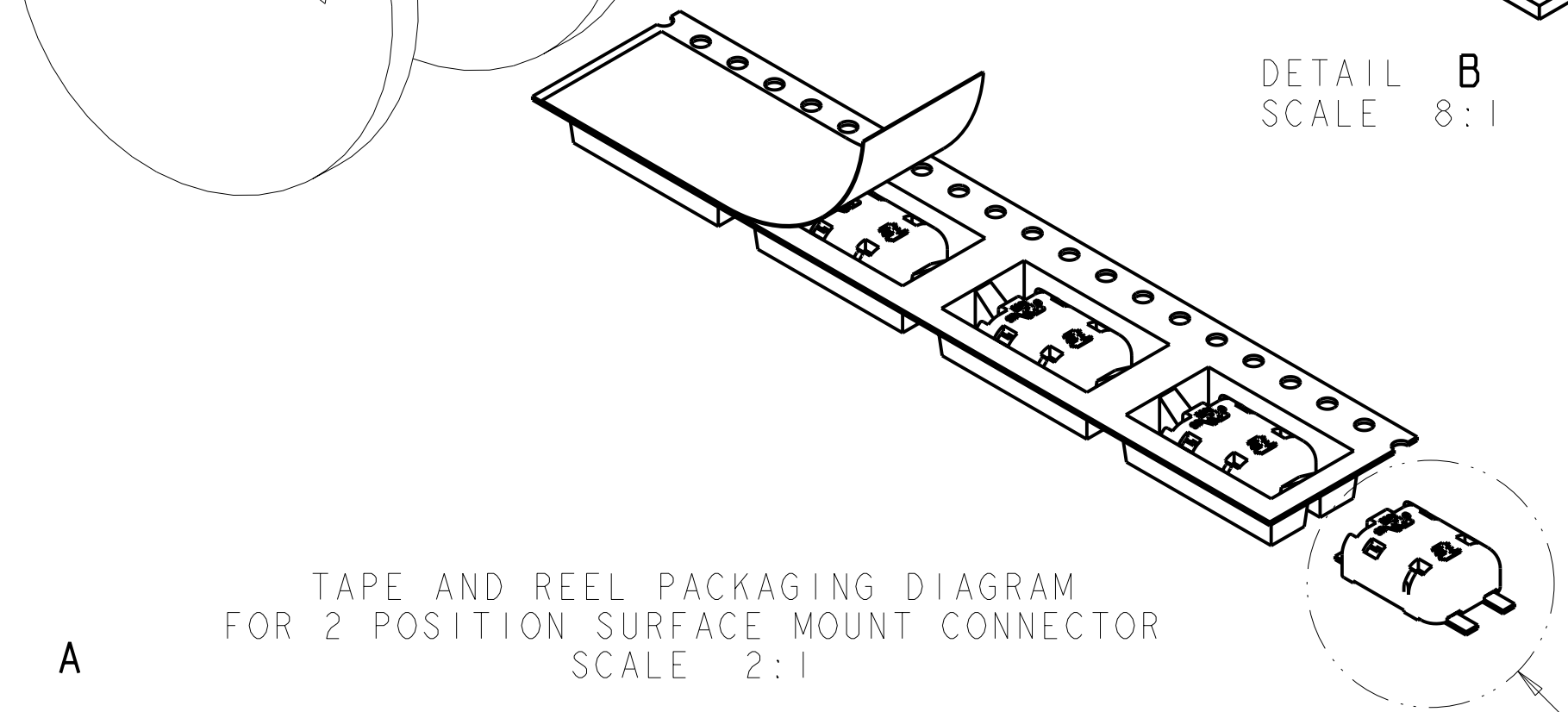


DETAIL B  
SCALE 8:1



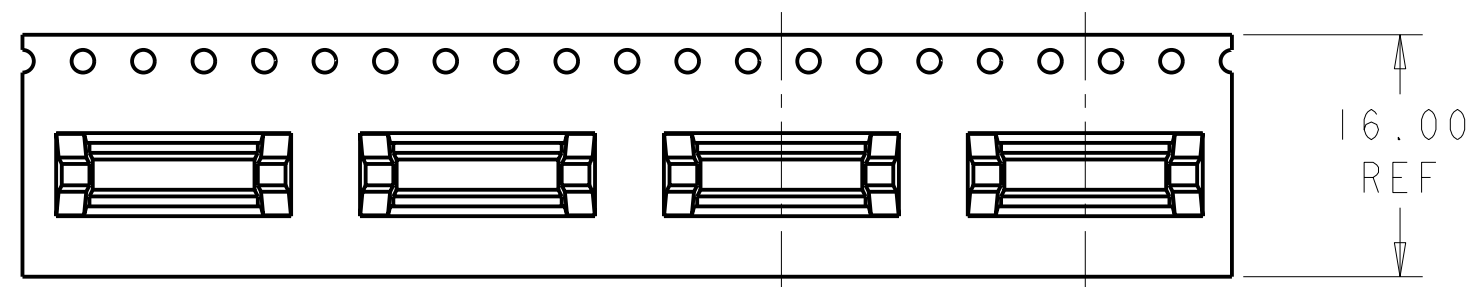
TAPE AND REEL PACKAGING DIAGRAM  
FOR 1 POSITION SURFACE MOUNT CONNECTOR  
SCALE 2:1

SEE DETAIL A

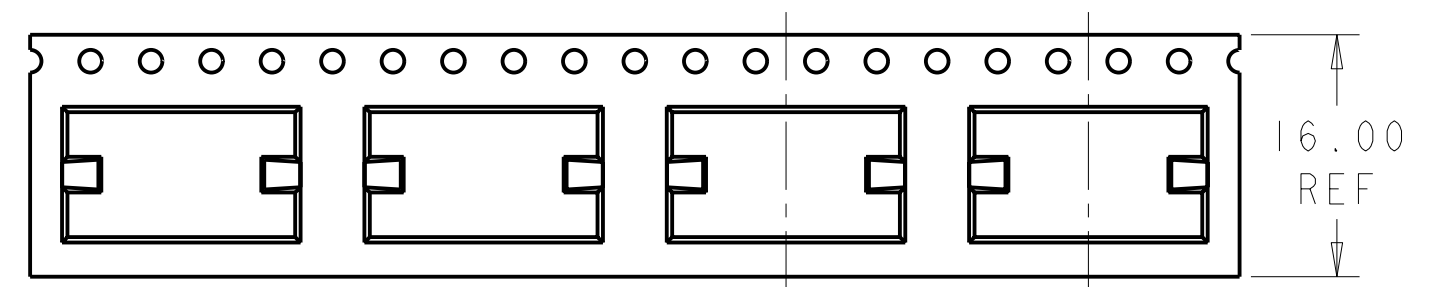


TAPE AND REEL PACKAGING DIAGRAM  
FOR 2 POSITION SURFACE MOUNT CONNECTOR  
SCALE 2:1

SEE DETAIL B



20.10 REF  
TYP

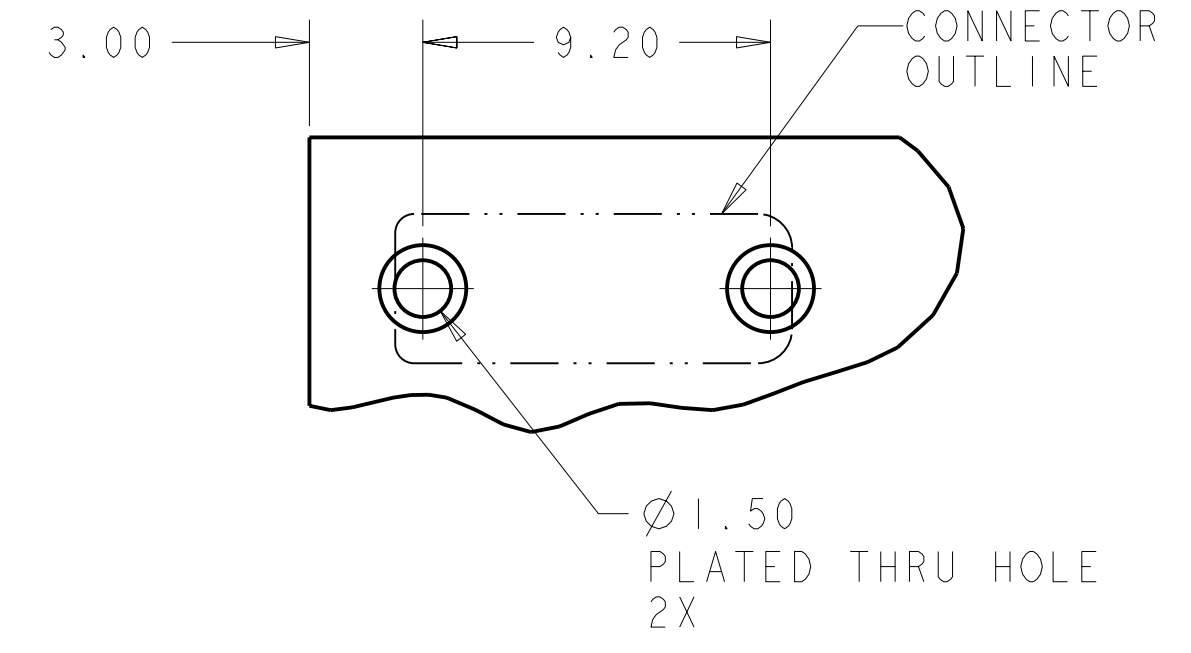
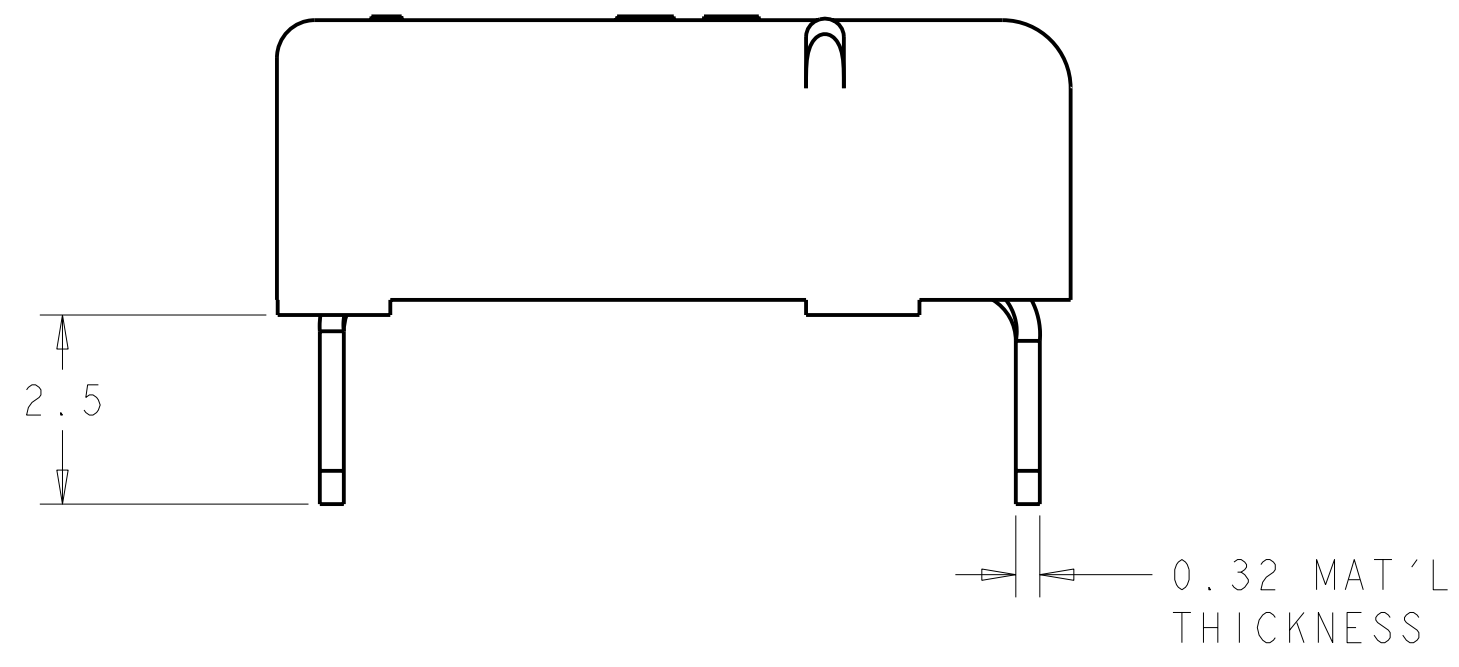
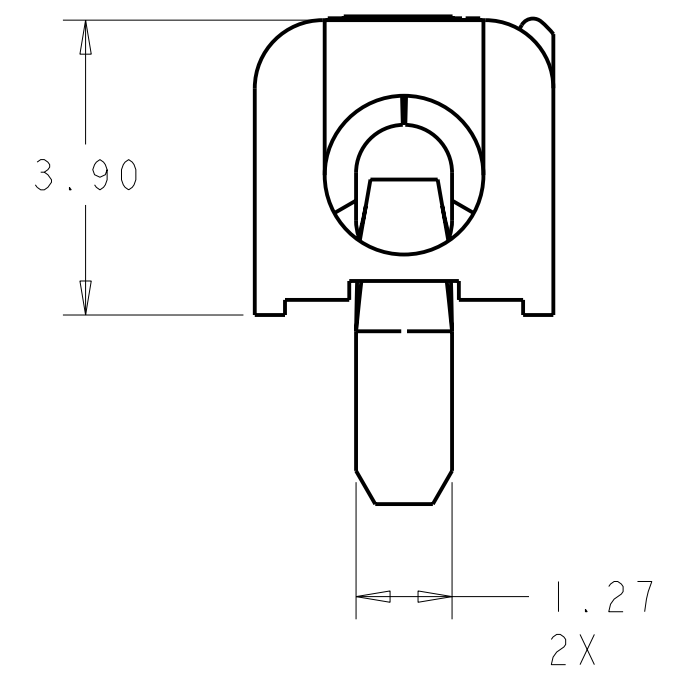
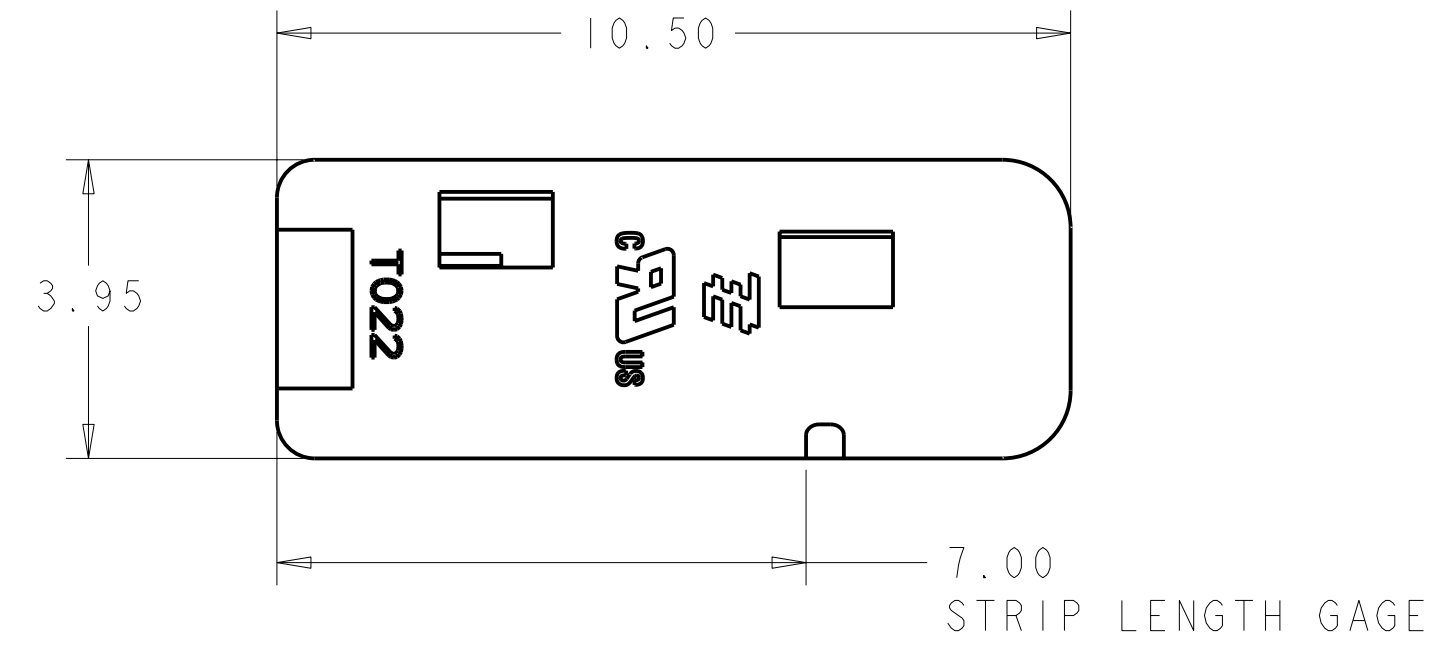


20.00 REF  
TYP

<small>THIS DRAWING IS A CONTROLLED DOCUMENT FOR TYCO ELECTRONICS CORPORATION IT IS SUBJECT TO CHANGE AND THE CONTROLLING ENGINEERING ORGANIZATION SHOULD BE CONTACTED FOR THE LATEST REVISION.</small>		DWN S. FISHER 07DEC2007 CHK S. HORST 07DEC2007 APVD -	Tyco Electronics Harrisburg, PA 17105-3608
DIMENSIONS: mm 	TOLERANCES UNLESS OTHERWISE SPECIFIED: 0 PLC ±- 1 PLC ±0.5 2 PLC ±0.10 3 PLC ±- 4 PLC ±- ANGLES ±3° FINISH -	PRODUCT SPEC - APPLICATION SPEC - WEIGHT - CUSTOMER DRAWING	NAME <b>CONNECTOR ASSEMBLY, POKE-IN, LOW INSERTION FORCE</b> SIZE CAGE CODE DRAWING NO RESTRICTED TO A200779 C-2008683 -
AMP 1471-9 REV 31MAR2000		SCALE 1:1	SHEET 3 OF 6 REV A

THIS DRAWING IS UNPUBLISHED. RELEASED FOR PUBLICATION 20  
 © COPYRIGHT 20 BY TYCO ELECTRONICS CORPORATION. ALL RIGHTS RESERVED.

LOC	DIST	REVISIONS			
P	LTR	DESCRIPTION	DATE	DWN	APVD
-	-	SEE SHEET 1	-	-	-



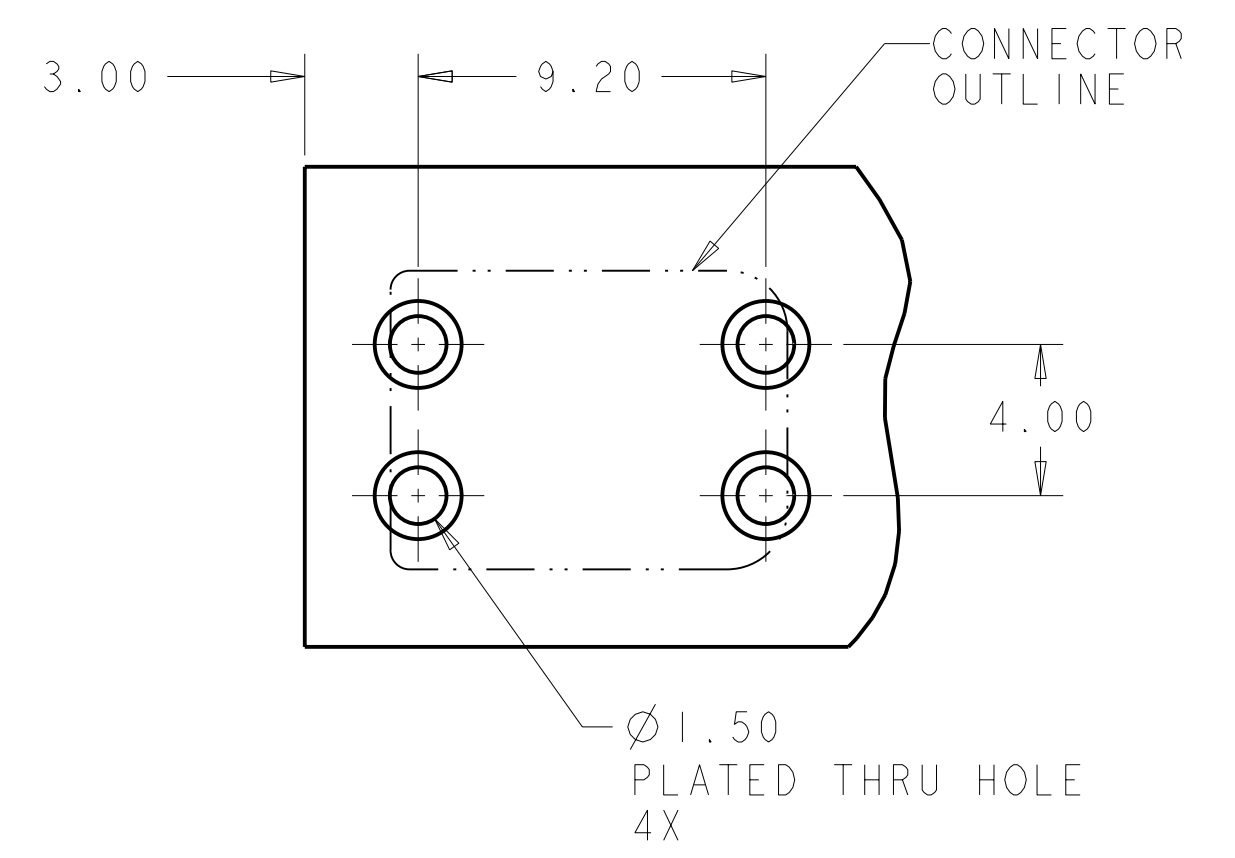
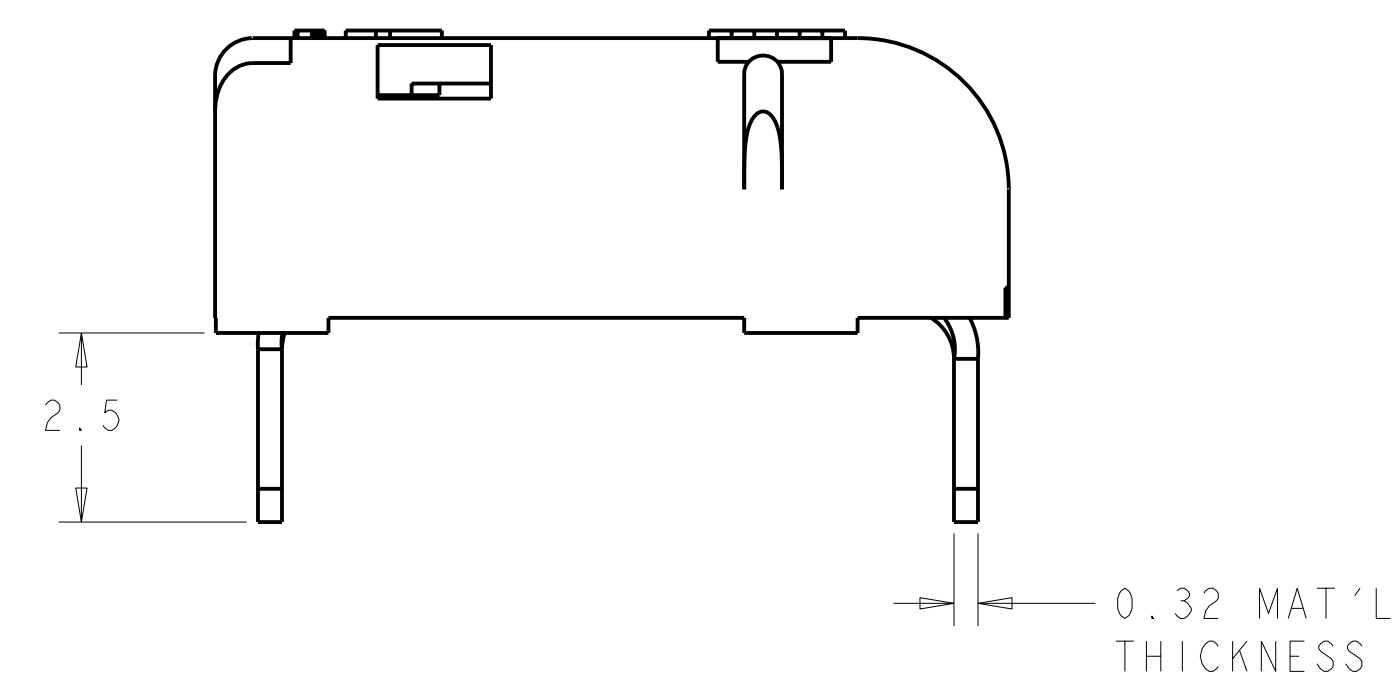
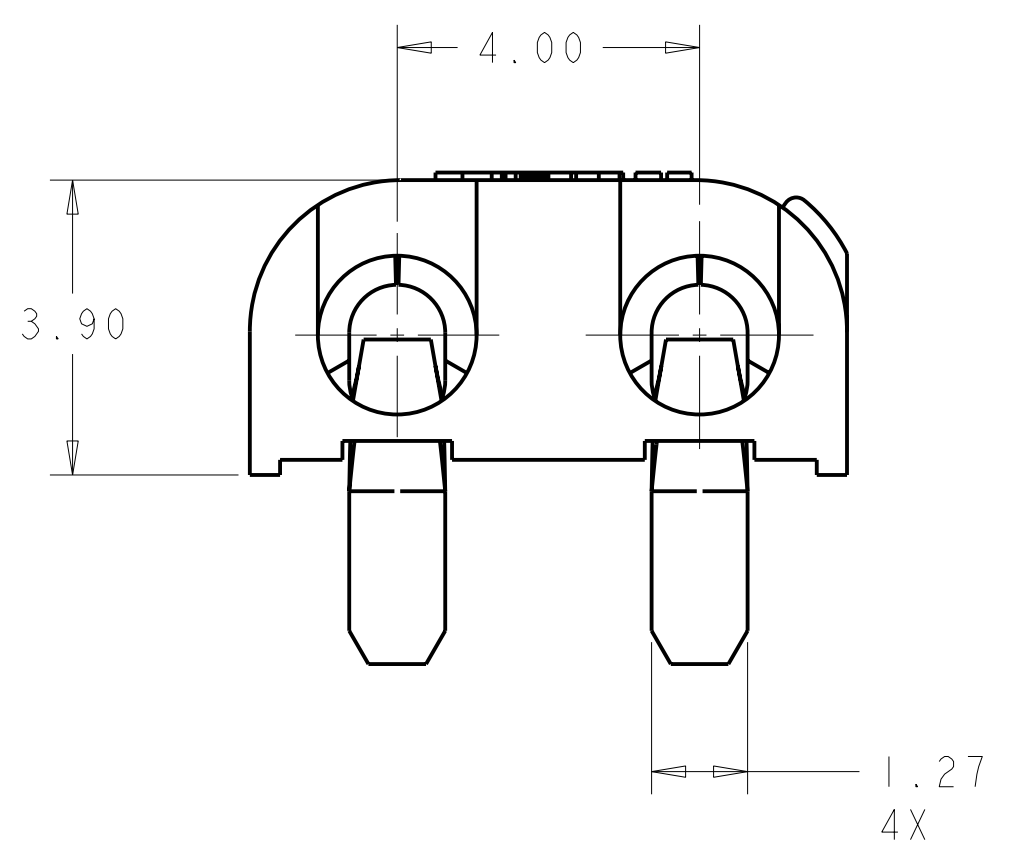
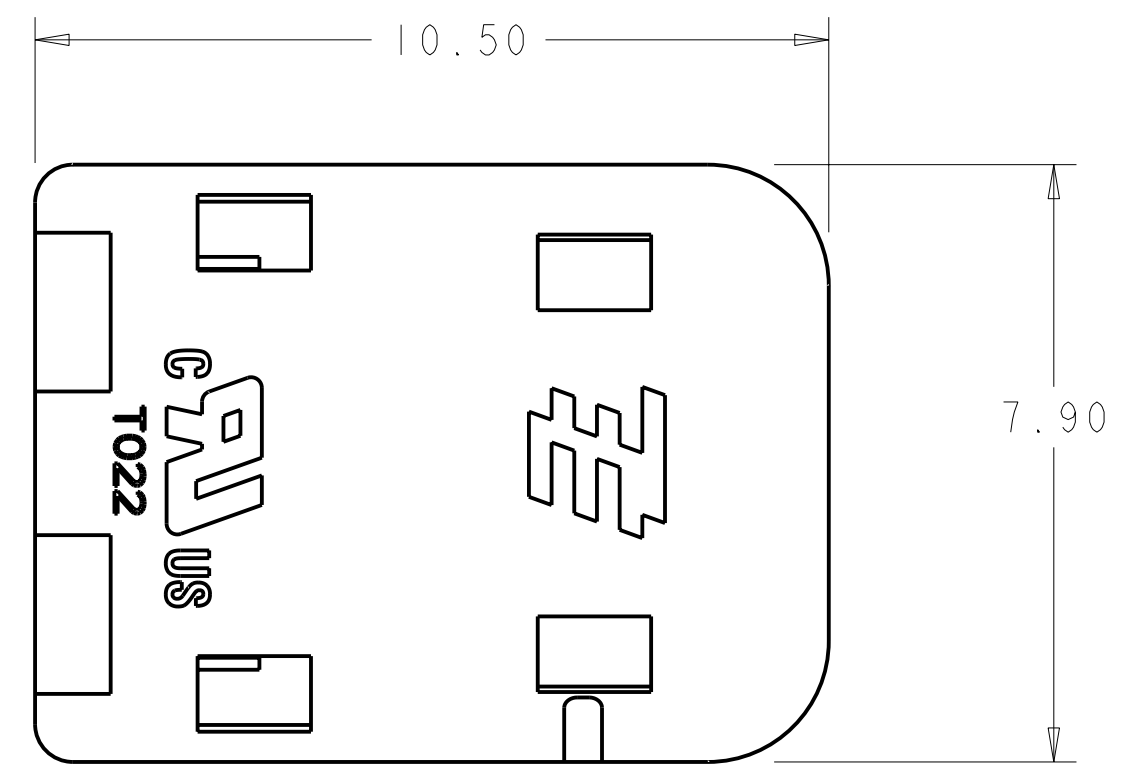
2008683-3 &  
1-2008683-3 SHOWN

RECOMMENDED PCB LAYOUT  
SCALE 5:1

<small>THIS DRAWING IS A CONTROLLED DOCUMENT FOR TYCO ELECTRONICS CORPORATION IT IS SUBJECT TO CHANGE AND THE CONTROLLING ENGINEERING ORGANIZATION SHOULD BE CONTACTED FOR THE LATEST REVISION.</small>		DWN S. FISHER 07DEC2007 CHK S. HORST 07DEC2007 APVD -	Tyco Electronics Harrisburg, PA 17105-3608
DIMENSIONS: mm 	TOLERANCES UNLESS OTHERWISE SPECIFIED: 0 PLC ± 1 PLC ±0.2 2 PLC ±0.10 3 PLC ± 4 PLC ± ANGLES ±3° FINISH	PRODUCT SPEC - APPLICATION SPEC - WEIGHT -	NAME CONNECTOR ASSEMBLY, POKE-IN, LOW INSERTION FORCE SIZE CAGE CODE DRAWING NO RESTRICTED TO A200779 C-2008683 -
MATERIAL		CUSTOMER DRAWING	SCALE 1:1 SHEET 4 OF 6 REV A

THIS DRAWING IS UNPUBLISHED. RELEASED FOR PUBLICATION 20  
 © COPYRIGHT 20 BY TYCO ELECTRONICS CORPORATION. ALL RIGHTS RESERVED.

LOC		DIST		REVISIONS			
P	LTR	DESCRIPTION	DATE	DWN	APVD		
-	-	SEE SHEET 1	-	-	-		



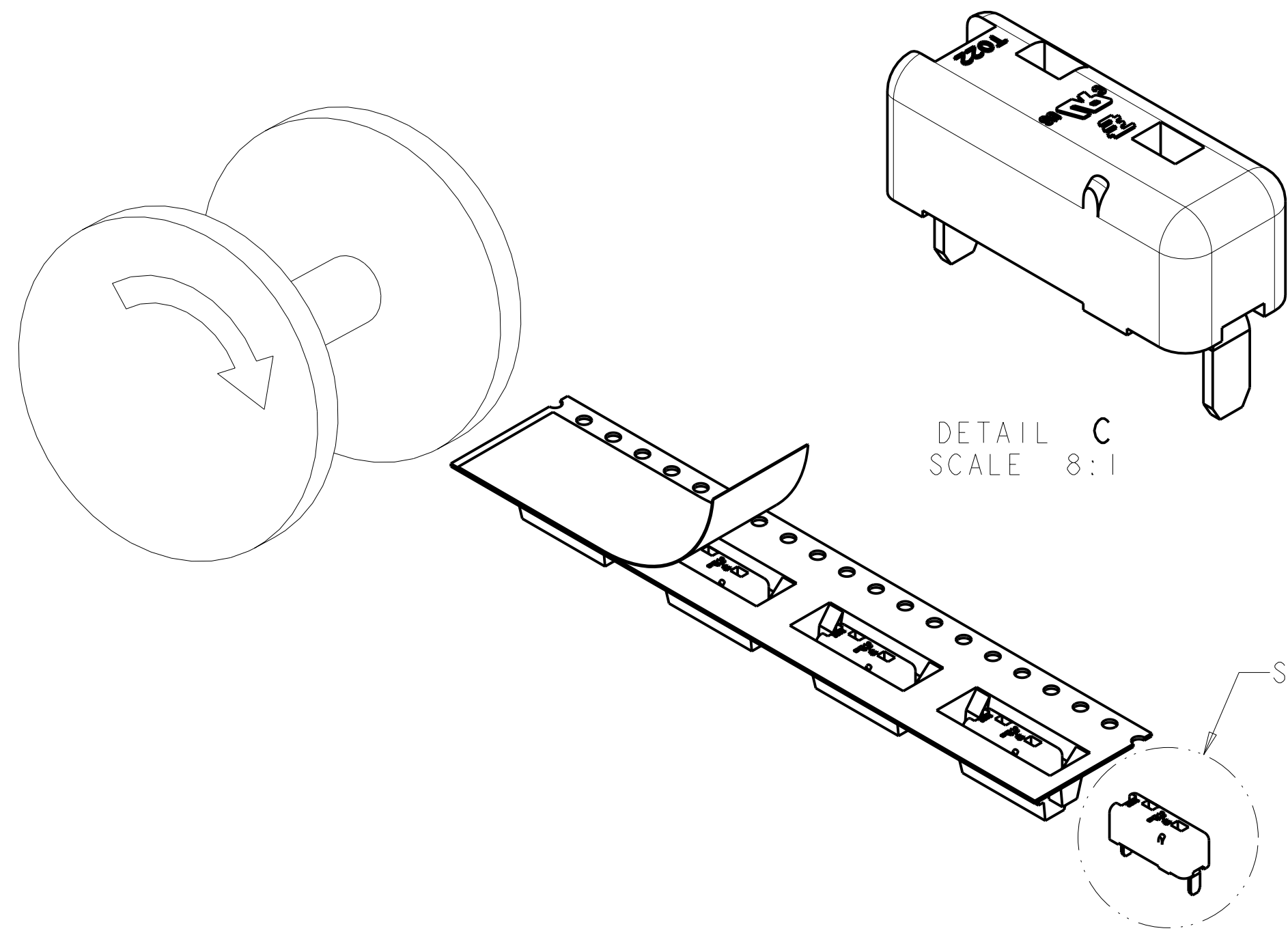
RECOMMENDED PCB LAYOUT  
SCALE 5:1

2008683-4 &  
1-2008683-4 SHOWN

<small>THIS DRAWING IS A CONTROLLED DOCUMENT FOR TYCO ELECTRONICS CORPORATION IT IS SUBJECT TO CHANGE AND THE CONTROLLING ENGINEERING ORGANIZATION SHOULD BE CONTACTED FOR THE LATEST REVISION.</small>		DWN S. FISHER 07DEC2007 CHK S. HORST 07DEC2007 APVD -	<b>Tyco Electronics</b> Tyco Electronics Harrisburg, PA 17105-3608
DIMENSIONS: mm	TOLERANCES UNLESS OTHERWISE SPECIFIED: 0 PLC ± 1 PLC ±0.2 2 PLC ±0.10 3 PLC ± 4 PLC ± ANGLES ±3° FINISH	PRODUCT SPEC - APPLICATION SPEC - WEIGHT -	NAME CONNECTOR ASSEMBLY, POKE-IN, LOW INSERTION FORCE
MATERIAL		CUSTOMER DRAWING	SIZE A2 CAGE CODE 00779 DRAWING NO. C-2008683 RESTRICTED TO -
AMP 1471-9 REV 31MAR2000		SCALE 1:1	SHEET 5 OF 6 REV A

THIS DRAWING IS UNPUBLISHED. RELEASED FOR PUBLICATION 20  
 © COPYRIGHT 20 BY TYCO ELECTRONICS CORPORATION. ALL RIGHTS RESERVED.

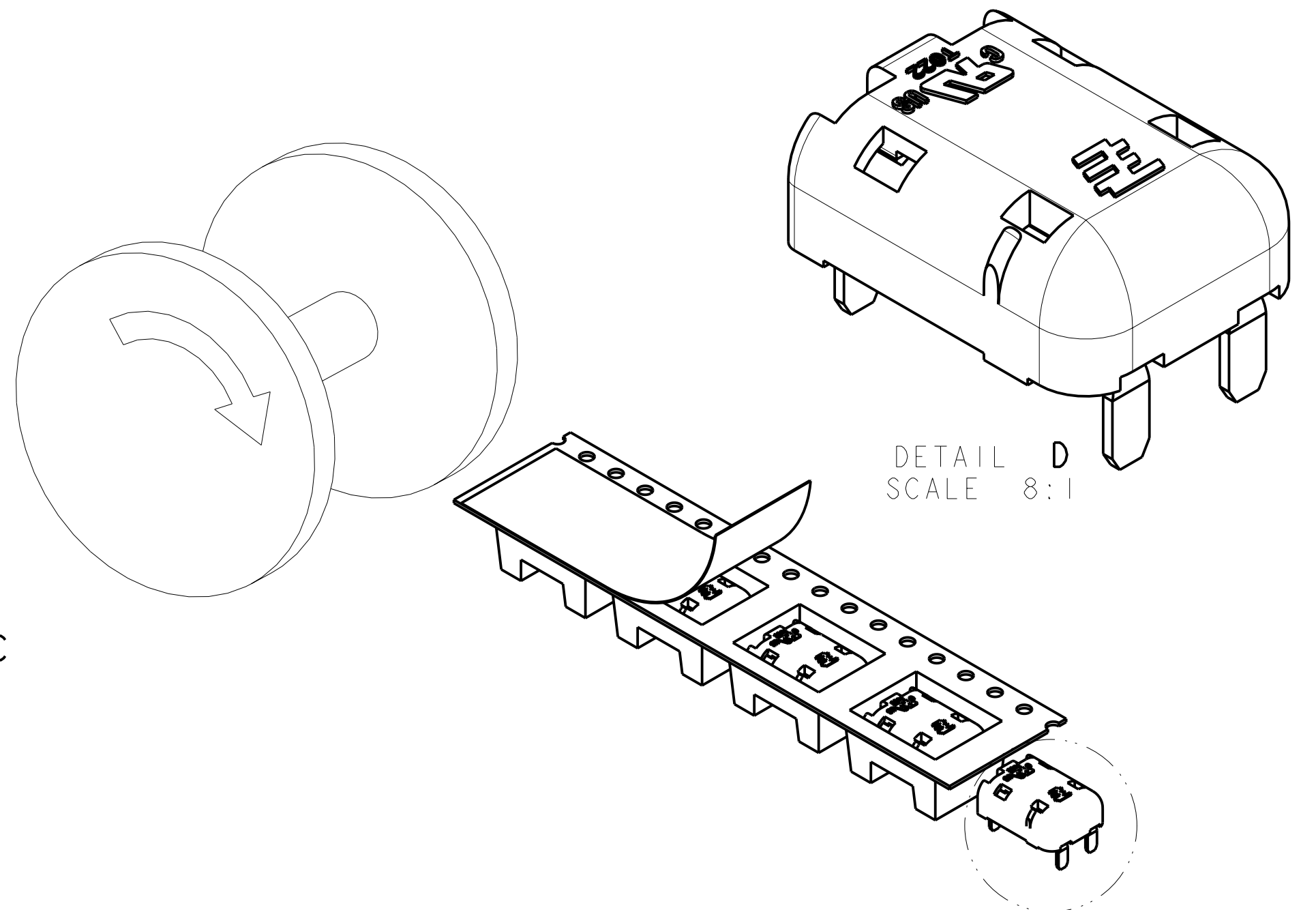
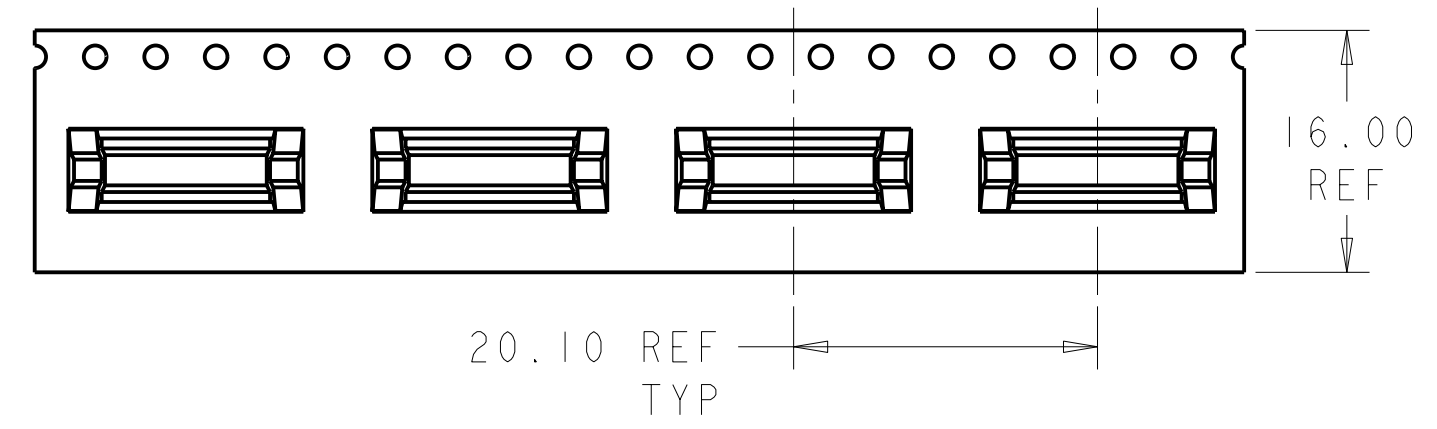
LOC	DIST	REVISIONS			
P	LTR	DESCRIPTION	DATE	DWN	APVD
-	-	SEE SHEET 1	-	-	-



DETAIL C  
SCALE 8:1

SEE DETAIL C

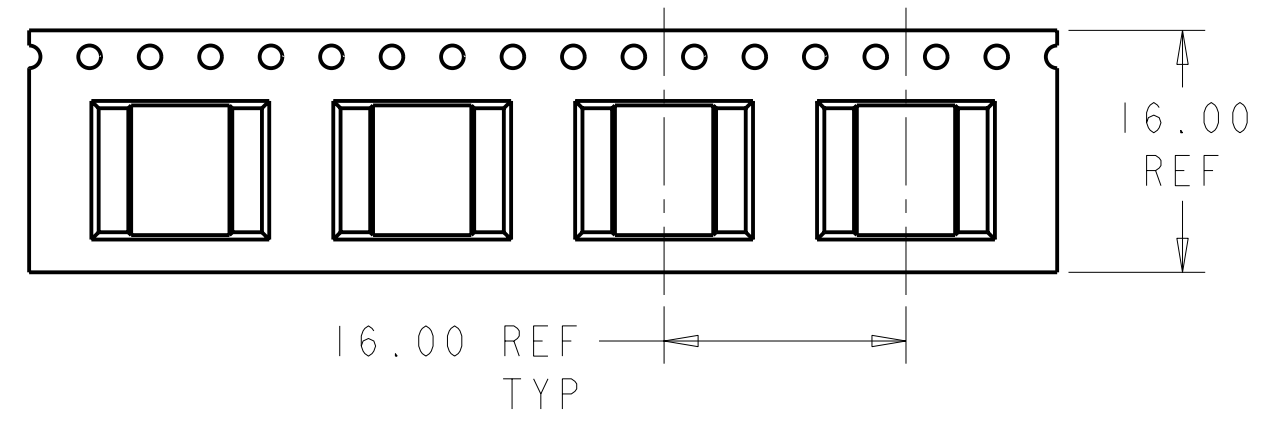
TAPE AND REEL PACKAGING DIAGRAM  
FOR 1 POSITION THROUGH HOLE CONNECTOR  
SCALE 2:1



DETAIL D  
SCALE 8:1

SEE DETAIL D

TAPE AND REEL PACKAGING DIAGRAM  
FOR 2 POSITION THROUGH HOLE CONNECTOR  
SCALE 2:1



<small>THIS DRAWING IS A CONTROLLED DOCUMENT FOR TYCO ELECTRONICS CORPORATION IT IS SUBJECT TO CHANGE AND THE CONTROLLING ENGINEERING ORGANIZATION SHOULD BE CONTACTED FOR THE LATEST REVISION.</small>		DWN S. FISHER 07DEC2007 CHK S. HORST 07DEC2007 APVD - PRODUCT SPEC - APPLICATION SPEC - WEIGHT - CUSTOMER DRAWING	<b>Tyco Electronics</b> Tyco Electronics Harrisburg, PA 17105-3608 NAME CONNECTOR ASSEMBLY, POKE-IN, LOW INSERTION FORCE SIZE CAGE CODE DRAWING NO RESTRICTED TO A200779 C-2008683 - SCALE SHEET 6 OF 6 REV A
DIMENSIONS: mm 	TOLERANCES UNLESS OTHERWISE SPECIFIED: 0 PLC ±- 1 PLC ±0.2 2 PLC ±0.10 3 PLC ±- 4 PLC ±- ANGLES ±3° FINISH	MATERIAL - FINISH -	