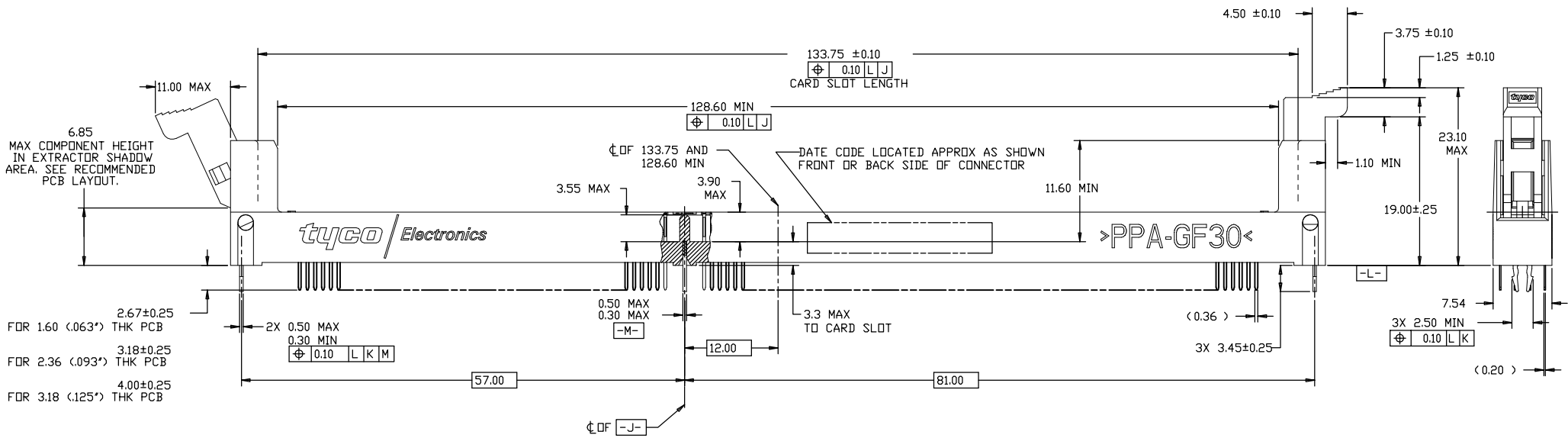
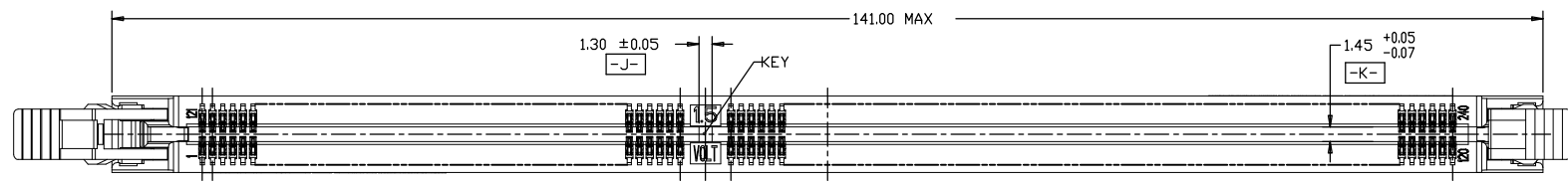


THIS DRAWING IS UNPUBLISHED. RELEASED FOR PUBLICATION BY TYCO ELECTRONICS CORPORATION. ALL RIGHTS RESERVED.

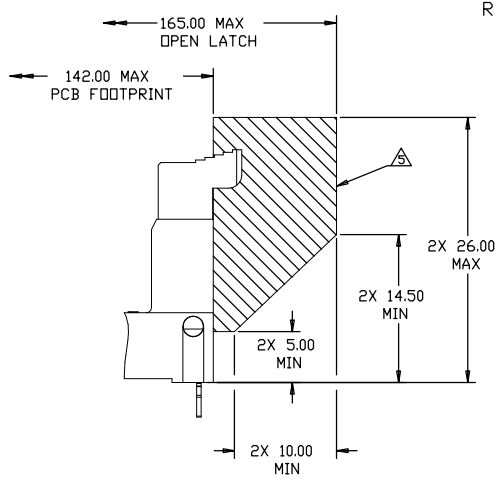
REV	DATE	DESCRIPTION	DATE	BY	APP'D
ES 00					
C		REVISED PER ECR-09-017633	04DEC2008	F.C.	S.Y.



2.67±0.25
FOR 1.60 (.063") THK PCB

3.18±0.25
FOR 2.36 (.093") THK PCB

4.00±0.25
FOR 3.18 (.125") THK PCB

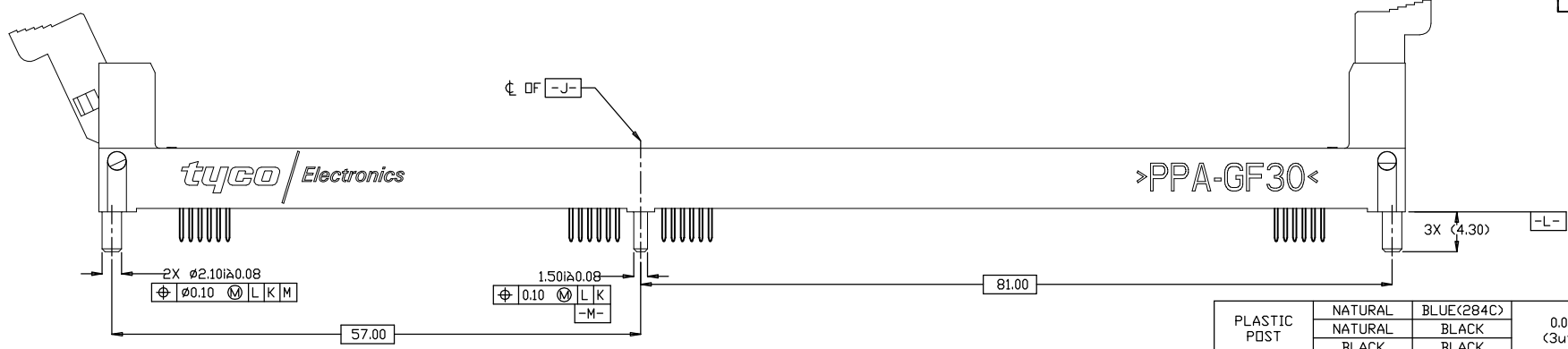


RETENTION BARB TYPE SHOWN ON ALL SHEET UNLESS OTHERWISE NOTED

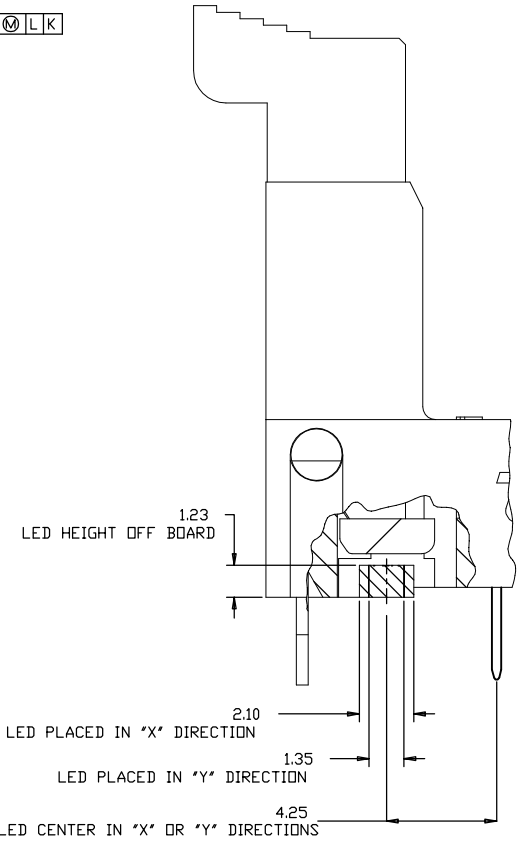
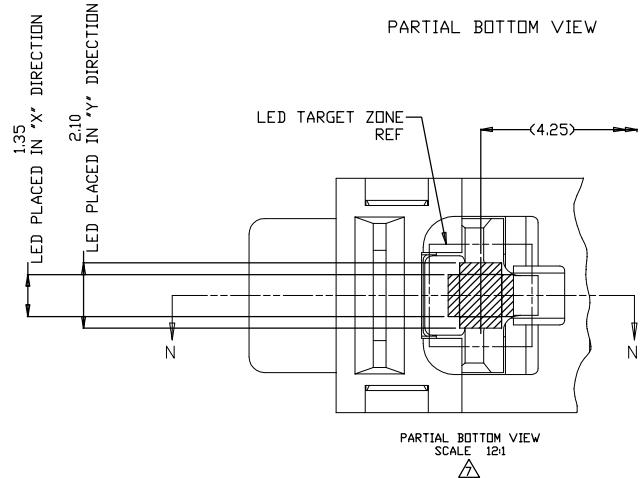
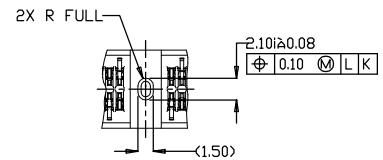
PLEASE CHECK SHEET 2 FOR PART LIST

- MATERIALS:**
- HOUSING: HIGH TEMPERATURE NYLON, UL94 V-0
 - EXTRACTOR: HIGH TEMPERATURE THERMOPLASTIC
 - CONTACTS: COPPER ALLOY
 - RETENTION BARB: BRASS, TIN PLATED
- INTERFACE FINISH:**
- 0.00038 MIN THK GOLD OVER 0.00127 MIN THK NICKEL.
 - 0.00008 MIN THK GOLD OVER 0.00127 MIN THK NICKEL.
 - 0.00076 MIN THK GOLD OVER 0.00127 MIN THK NICKEL.
- FINISHED HOLE SIZE:** 0.15 MAXIMUM ANNULAR RING.
- KEEP OUT ZONE.**
- KEEP OUT AREA RESERVED FOR SOCKET EXTRACTORS, BOTH ENDS.**
- SOLDERTAIL FINISH:** 0.00300 MIN THK MATTE TIN OVER 0.00127 MIN THK NICKEL.
- LED LOCATION AS APPLICABLE PER CUSTOMER.**
- DATUM -G- IS CONNECTOR SIDE SURFACE OF PCB.**

THIS DRAWING IS A CONTROLLED DOCUMENT.		DESIGNER: SANDERS, YAN 21AUG2007	DATE: 21AUG2007	Tyco Electronics Corporation	
DRAWN BY: CHEN, LEO 21AUG2007		DATE: 21AUG2007	Shanghai, P.R.China, 200233		
CHECKED BY: STEVEN YAO 21AUG2007		DATE: 21AUG2007	Tyco Electronics		
PRODUCT SPEC: 108-60071		SOCKET ASSEMBLY			
APPLICATION SPEC: 114-13154		VERTICAL DDR3 DIMM SOLDER TAIL, 240 POSITION, LOWER RESISTANCE TYPE			
MATERIAL: -		WEIGHT: -	SIZE: A1	DATE CODE: 00779	DRAWING NO: 1932031
FINISH: -		SCALE: 4:1		SHEET: 1 of 4	REV: C



4--3,4--4,4--5,5--6, AND 5--7 (PLASTIC POST) SHOWN



RETENTION BARB	NATURAL	NATURAL	0.00076 MIN (30u")	3.18	5-1932031-9
RETENTION BARB	NATURAL	BLUE(2935U)	0.00038 MIN (15u")	3.18	5-1932031-8
PLASTIC POST	NATURAL	BLUE(284C)		2.67	5-1932031-7
	NATURAL	BLACK		2.67	5-1932031-6
RETENTION BARB	BLACK	BLUE	0.00076 MIN (30u")	4.00	5-1932031-5
				3.18	5-1932031-4
	2.67	5-1932031-3			
	4.00	5-1932031-2			
	3.18	5-1932031-1			
	2.67	5-1932031-0			
	3.18	4-1932031-9			
	4.00	4-1932031-8			
	3.18	4-1932031-7			
	2.67	4-1932031-6			
HOUSING STYLE	EXTRACTOR COLOR	HOUSING COLOR	CONTACT GOLD INTERFACE	TAIL LENGTH	PART NUMBER

PLASTIC POST	NATURAL	BLUE(284C)	0.00008 MIN (3u", FLASH)	2.67	4-1932031-5
RETENTION BARB	NATURAL	BLACK		2.67	4-1932031-4
	BLACK	BLACK		2.67	4-1932031-3
RETENTION BARB	NATURAL	PINK (190C)	0.00038 MIN (15u")	3.18	4-1932031-2
			0.00008 MIN (3u", FLASH)	3.18	4-1932031-1
RETENTION BARB	NATURAL	PINK (701C)	0.00038 MIN (15u")	3.18	4-1932031-0
			0.00008 MIN (3u", FLASH)	2.67	3-1932031-9
RETENTION BARB	NATURAL	GREEN (368C)	0.00038 MIN (15u")	3.18	3-1932031-8
			0.00008 MIN (3u", FLASH)	2.67	3-1932031-7
RETENTION BARB	NATURAL	PURPLE	0.00038 MIN (15u")	3.18	3-1932031-6
			0.00008 MIN (3u", FLASH)	2.67	3-1932031-5
RETENTION BARB	NATURAL	GREEN (368C)	0.00038 MIN (15u")	3.18	3-1932031-4
			0.00008 MIN (3u", FLASH)	2.67	3-1932031-3
RETENTION BARB	NATURAL	PURPLE	0.00038 MIN (15u")	3.18	3-1932031-2
			0.00008 MIN (3u", FLASH)	2.67	3-1932031-1
RETENTION BARB	NATURAL	PURPLE	0.00038 MIN (15u")	3.18	3-1932031-0
			0.00008 MIN (3u", FLASH)	2.67	2-1932031-9
RETENTION BARB	NATURAL	BLUE (284C)	0.00038 MIN (15u")	3.18	2-1932031-8
			0.00008 MIN (3u", FLASH)	2.67	2-1932031-7
RETENTION BARB	NATURAL	BLUE (284C)	0.00038 MIN (15u")	3.18	2-1932031-6
			0.00008 MIN (3u", FLASH)	2.67	2-1932031-5
RETENTION BARB	NATURAL	ORANGE (021C)	0.00038 MIN (15u")	3.18	2-1932031-4
			0.00008 MIN (3u", FLASH)	2.67	2-1932031-3
RETENTION BARB	NATURAL	ORANGE (021C)	0.00038 MIN (15u")	3.18	2-1932031-2
			0.00008 MIN (3u", FLASH)	2.67	2-1932031-1
RETENTION BARB	BLACK	BLACK	0.00038 MIN (15u")	4.00	2-1932031-0
			0.00008 MIN (3u", FLASH)	3.18	1-1932031-9
RETENTION BARB	BLACK	BLACK	0.00038 MIN (15u")	3.18	1-1932031-8
			0.00008 MIN (3u", FLASH)	2.67	1-1932031-7
RETENTION BARB	BLACK	BLACK	0.00038 MIN (15u")	4.00	1-1932031-6
			0.00008 MIN (3u", FLASH)	3.18	1-1932031-5
RETENTION BARB	BLACK	BLACK	0.00038 MIN (15u")	3.18	1-1932031-4
			0.00008 MIN (3u", FLASH)	2.67	1-1932031-3
RETENTION BARB	BLACK	BLACK	0.00038 MIN (15u")	4.00	1-1932031-2
			0.00008 MIN (3u", FLASH)	3.18	1-1932031-1
RETENTION BARB	BLACK	BLACK	0.00038 MIN (15u")	4.00	1-1932031-0
			0.00008 MIN (3u", FLASH)	3.18	1-1932031-9
RETENTION BARB	BLACK	BLACK	0.00038 MIN (15u")	4.00	1-1932031-8
			0.00008 MIN (3u", FLASH)	3.18	1-1932031-7
RETENTION BARB	BLACK	BLACK	0.00038 MIN (15u")	4.00	1-1932031-6
			0.00008 MIN (3u", FLASH)	3.18	1-1932031-5
RETENTION BARB	BLACK	BLACK	0.00038 MIN (15u")	2.67	1-1932031-4
			0.00008 MIN (3u", FLASH)	4.00	1-1932031-3
RETENTION BARB	BLACK	BLACK	0.00038 MIN (15u")	3.18	1-1932031-2
			0.00008 MIN (3u", FLASH)	2.67	1-1932031-1
HOUSING STYLE	EXTRACTOR COLOR	HOUSING COLOR	CONTACT GOLD INTERFACE	TAIL LENGTH	PART NUMBER

THIS DRAWING IS A CONTROLLED DOCUMENT.

DESIGNER: SANDERS, YAN 21AUG2007
 CHECKED: LEO, ZHOU 21AUG2007
 DRAWN: STEVEN, YAO 21AUG2007

DATE CODE: 114-13154
 WEIGHT: 1.14g

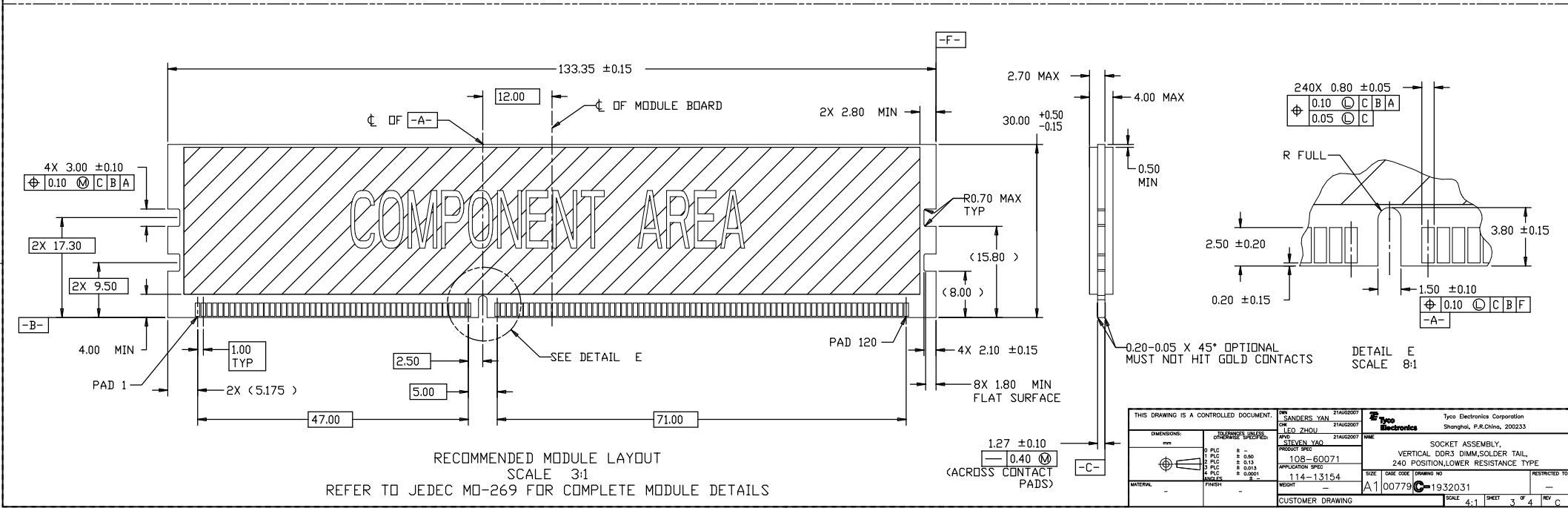
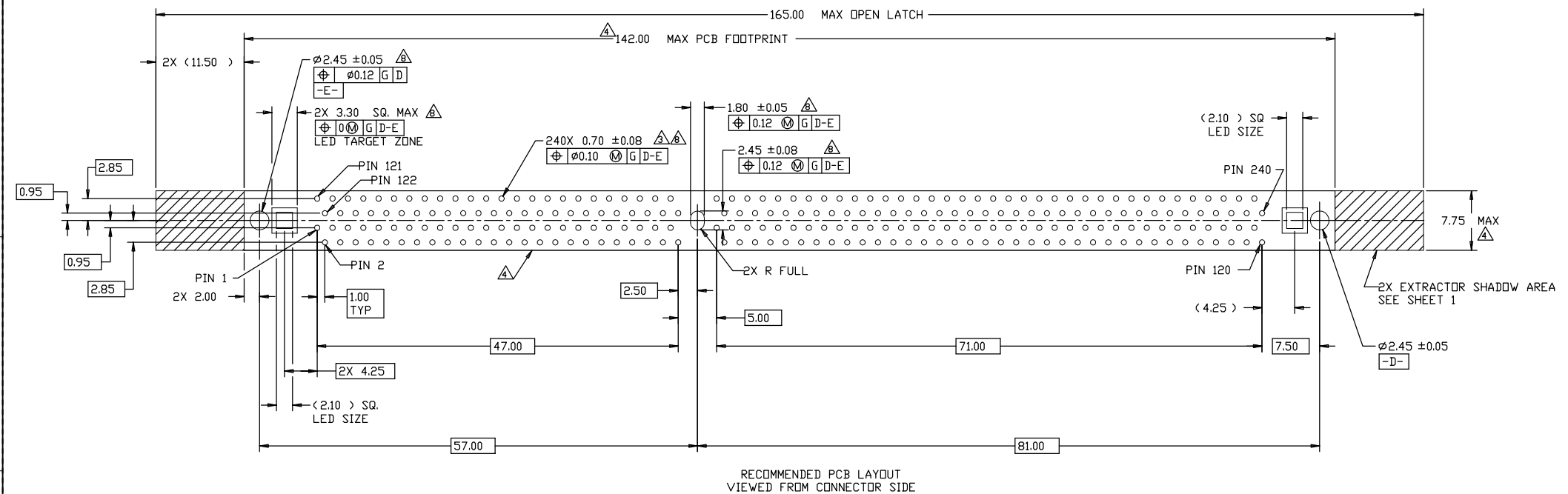
APPROVED: [Signature]

SIZE: A1
 DATE CODE: 114-13154
 DRAWING NO: 108-60071
 APPLICATION SPEC: VERTICAL DDR3 DIMM SOLDER TAIL, 240 POSITION, LOWER RESISTANCE TYPE

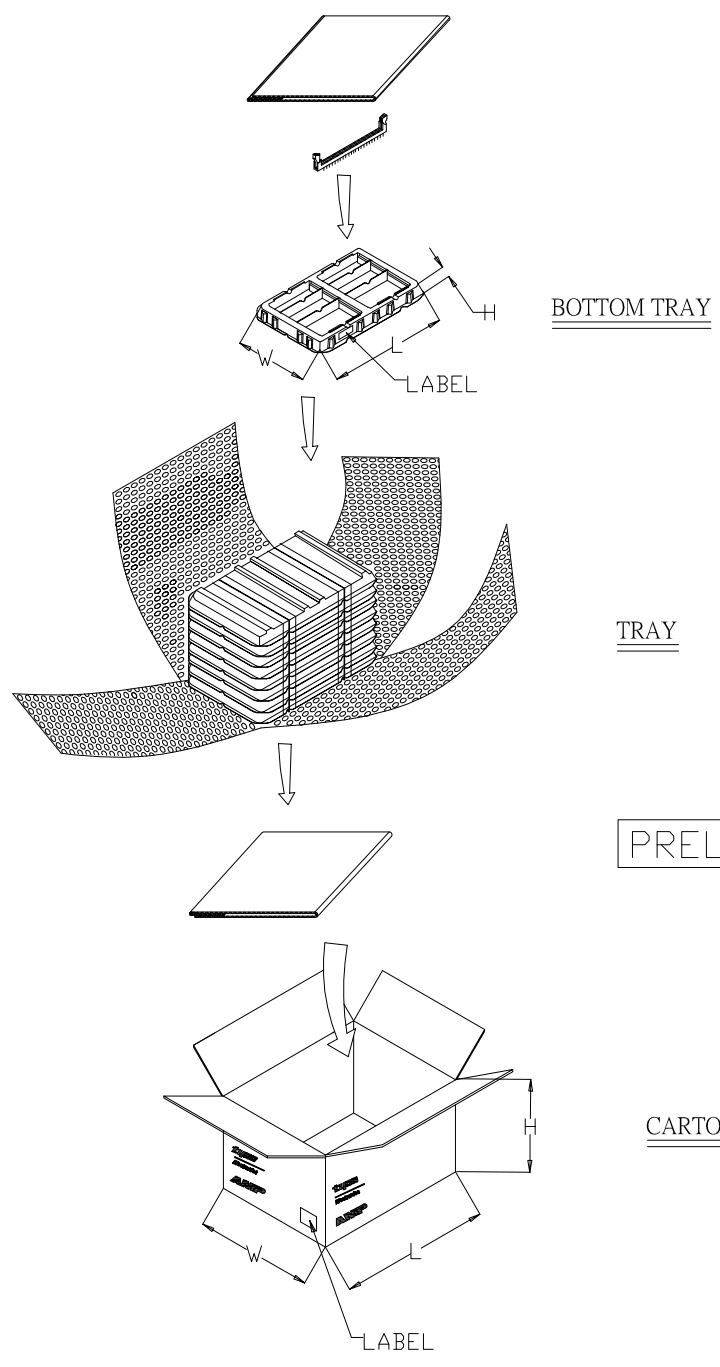
SCALE: 4:1
 SHEET: 2 of 4
 REV: C

THIS DRAWING IS UNPUBLISHED. RELEASED FOR PUBLICATION BY TFCO ELECTRONICS CORPORATION. ALL RIGHTS RESERVED.

REVISONS		DATE	BY	APPD
ES	00			
TY	CHK			



THIS DRAWING IS A CONTROLLED DOCUMENT.		DATE: 21AUG2007	BY: SANDERS, YAN	21AUG2007	NAME: SANDERS, YAN	21AUG2007	DESIGNED BY: SANDERS, YAN	21AUG2007	NAME: SANDERS, YAN	21AUG2007	APPROVED BY: SANDERS, YAN	21AUG2007	NAME: SANDERS, YAN	21AUG2007	DATE: 21AUG2007	BY: SANDERS, YAN	APPD: SANDERS, YAN
DIMENSIONS: mm		TOLERANCES UNLESS OTHERWISE SPECIFIED:		FRAMES: 1.00 ± 0.05		HOLE DIA: 0.10 ± 0.03		HOLE DIA: 0.12 ± 0.03		HOLE DIA: 0.25 ± 0.03		HOLE DIA: 0.30 ± 0.03		HOLE DIA: 0.50 ± 0.03		HOLE DIA: 1.00 ± 0.03	
MATERIAL: -		FINISH: -		WEIGHT: -		SCALE: 4:1		SHEET: 3 of 4		REV: C		CUSTOMER DRAWING		SCALE: 4:1		SHEET: 3 of 4	



- NOTES:
- MATERIAL:
 - TRAY: PVC
 - SHIPPING CARTON : CORRUGATED FIBERBOARD
 - DIMENSION :
 - TRAY : L=363, W=255, H=33
 - SHIPPING CARTON : L=375, W=265, H=280
 - QUANTITY :
 - PRIMARY PACKING : 50 PCS/TRAY
 - SECONDARY PACKING : 8 TRAY/CARTON(400PCS)
 - WEIGHT :
 - NET WEIGHT : 3.76 KG
 - GROSS WEIGHT: 6.00 KG

THIS DRAWING IS A CONTROLLED DOCUMENT.		DESIGNED BY: SANDERS, YAN 21AUG2007	TYCO ELECTRONICS	Tyco Electronics Corporation
DRAWN BY: CHEN, LEO_ZHOU 21AUG2007		CHECKED BY: STEVEN YAO 21AUG2007	Shanghai, P.R.China, 200233	
DIMENSIONS: mm		PRODUCT SPEC: 108-60071	SOCKET ASSEMBLY	
0.PLC ± -		APPLICATION SPEC: 114-13154	VERTICAL DDR3 DIMM,SOLDER TAIL, 240 POSITION,LOWER RESISTANCE TYPE	
1.PLC ± 0.40		WEIGHT: -	SIZE: A1	DATE CODE: 00779
2.PLC ± 0.13		FINISH: -	DRAWING NO: C-1932031	RESTRICTED TO: -
3.PLC ± 0.13		MATERIAL: -	SCALE: -	SHEET: 4 of 4
4.PLC ± 0.015		CUSTOMER DRAWING	REV: -	C
5.PLC ± 0.001				
MATERIAL: -				