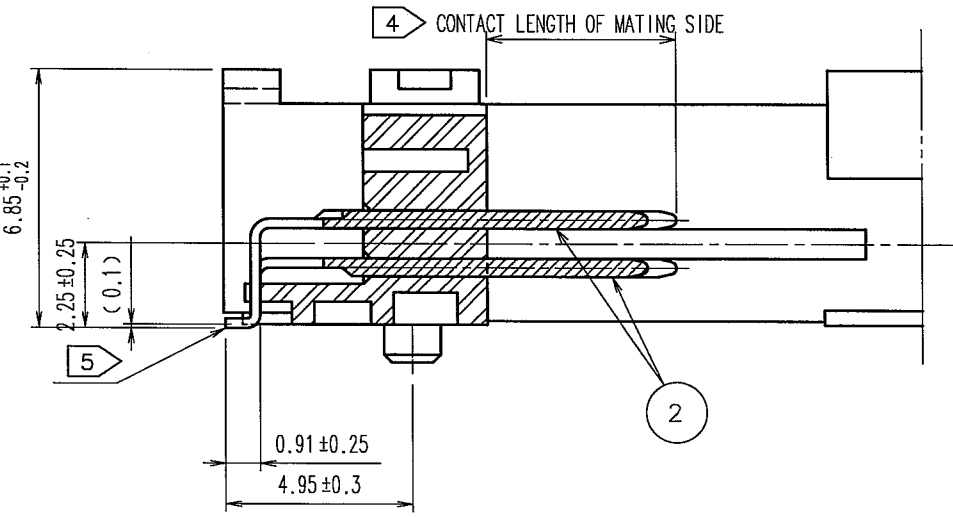
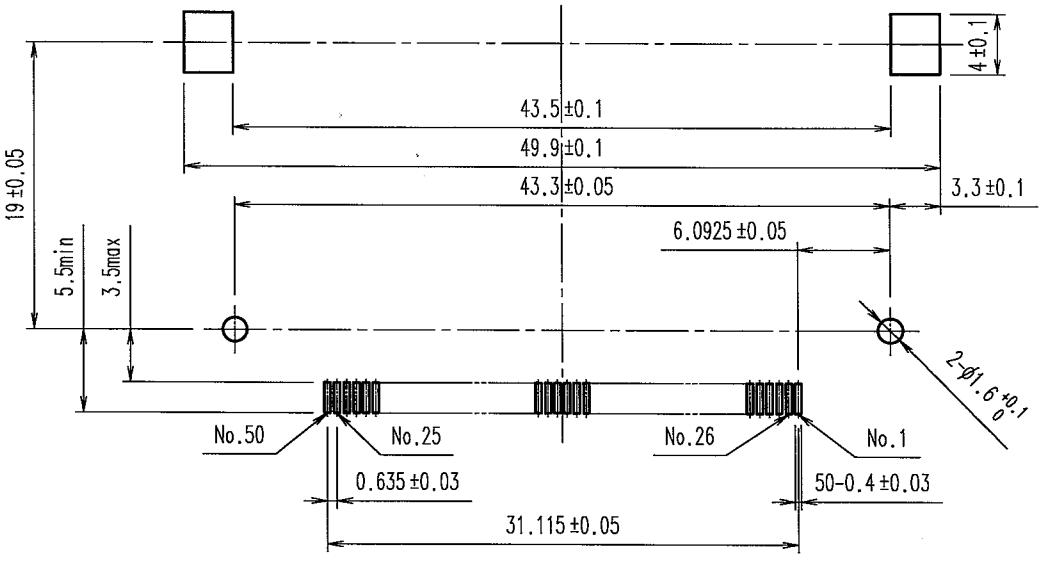


COUNT	DESCRIPTION OF REVISIONS	BY	CHKD	DATE	COUNT	DESCRIPTION OF REVISIONS	BY	CHKD	DATE

AA(5:1) (OMITTED EJECTOR)



RECOMMENDED LAND PATTERN DIMENSION OF PCB



NOTE 1 THIS HEADER IS FOR COMPACT FLASH CARD, DISTANCE OF CARD AND BUTTON FROM CONNECTOR TO BE 3.4mm AFTER MATING.
 2 DIMENSION AT MATING PORTION (OF THIS HEADER) CORRESPONDS TO CFA (Compact Flash Association).
 3 THIS HEADER CAN BE APPLIED TO PICK & PLACE THE POSITION PICKED TO BE AT REF. NO. 7 WHERE FIXED AS INITIAL BUT TO BE LOOSE BY EJECTOR OPERATION OF ONE TIME.
 4 CONTACT LENGTH AT MATING SIDE TO BE AS TABLE 1.
 5 LEAD CO-PLANARITY AND CO-PLANARITY AT END FACE OF REINFORCED METAL FITTINGS TO BE 0.1 OR LESS.
 6 THE VALUES IN PARENTHESES ARE FOR REFERENCE.
 7 HOLE OR CUTOUT SHOULD BE SET IN A POSITION WHERE COMPONENTS OR TRACE ARE NOT REQUIRED.

2	BRASS	CONTACT AREA: Ni1.5μm+Au0.1μm	8	PPS RESIN	UL94V-0, BLACK
		MOUNTING AREA: Ni1.5μm+Sn2μm	4~7	STAINLESS STEEL	
1	PPS RESIN	UL94V-0, BLACK	3	BRASS	SCu+Sn1μm
NO.	MATERIAL	FINISH, REMARKS	NO.	MATERIAL	FINISH, REMARKS

CODE NO. (OLD)	CL	DRAWN	DESIGNED	CHECKED	APPROVED	RELEASED
		H.Saitou	H.Saitou	S. Tomioka	K. Akijama	
		05.07.26	05.07.26	05.07.26	05.07.26	

SCALE	2:1	DRAWING NO.	EDC3-152153-02	PART NO.	MI21-50PD-SF-EJR(71)
UNITS	mm	HRS	HIROSE ELECTRIC CO., LTD.	CODE NO.	CL640-7107-0-71

TABLE 1

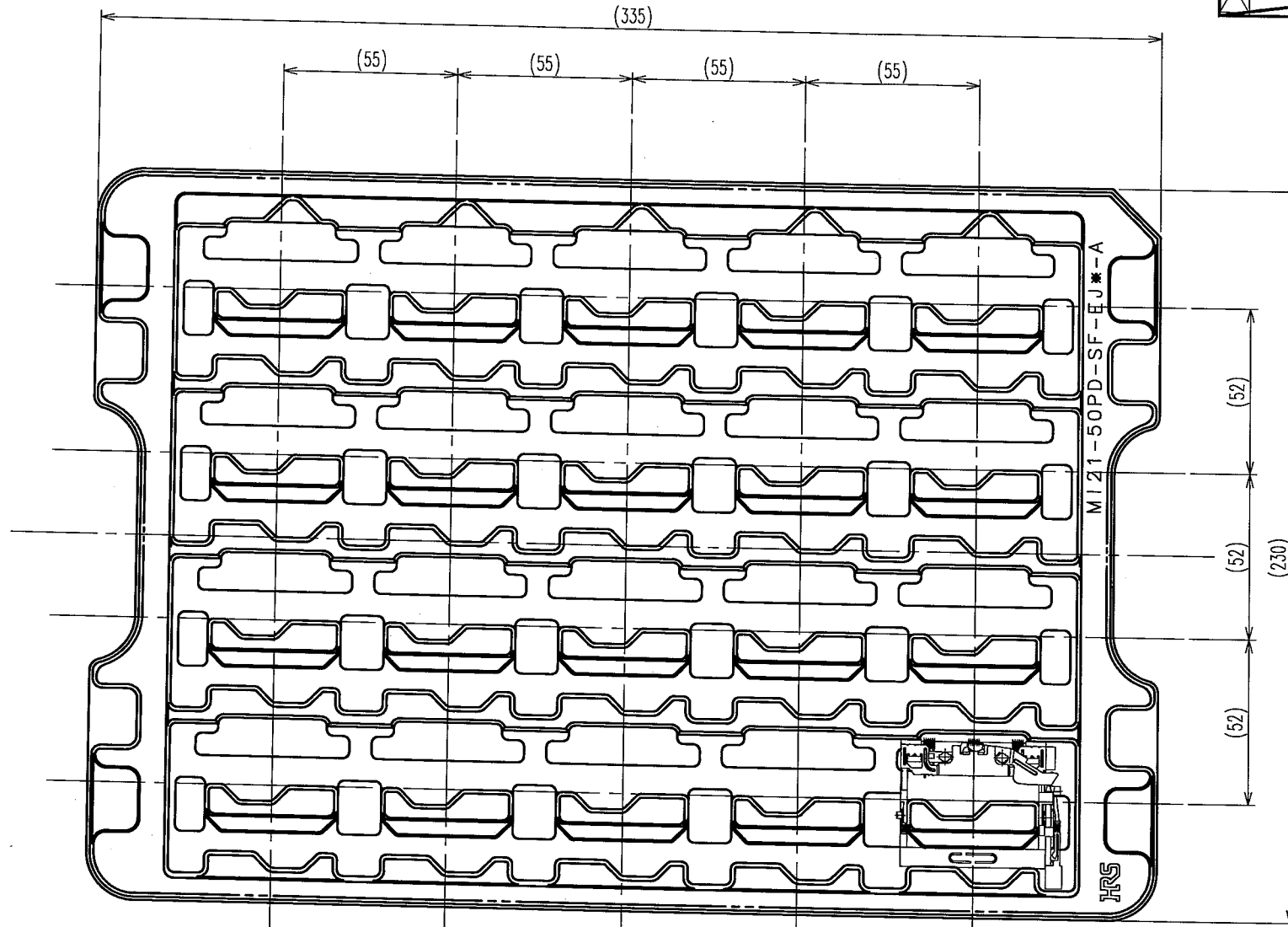
CONTACT No.	CONTACT LENGTH
1, 13, 38, 50	5.0±0.1
25, 26	3.5±0.1
OTHERS	4.25±0.1

2009/10/01 16:44:58 SRoper

参考図：ご確認用。正式には別途納入仕様書をご請求願います。

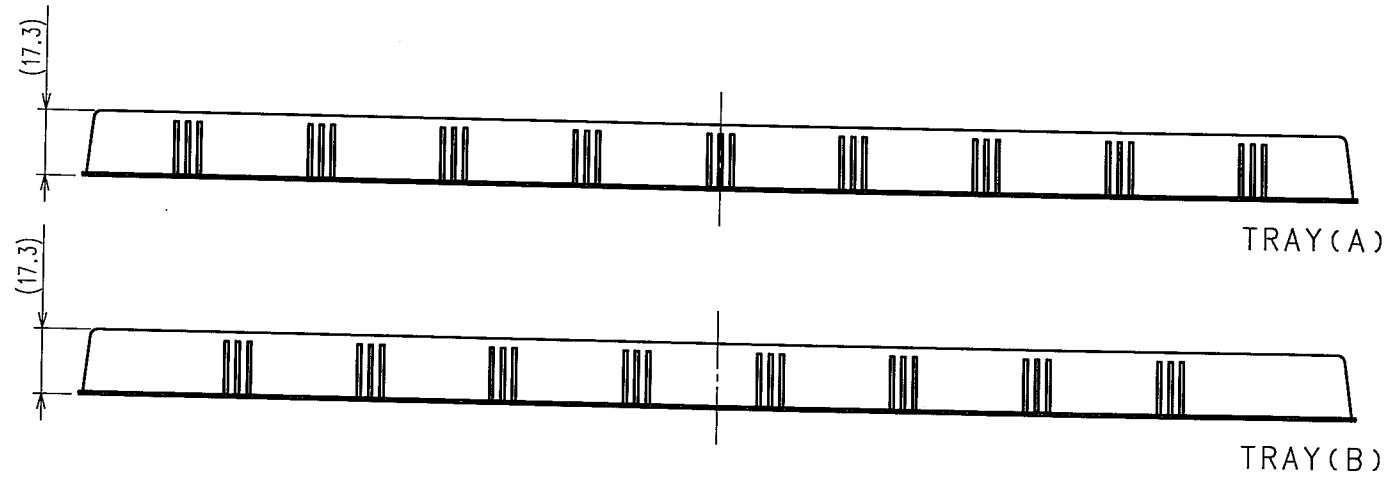
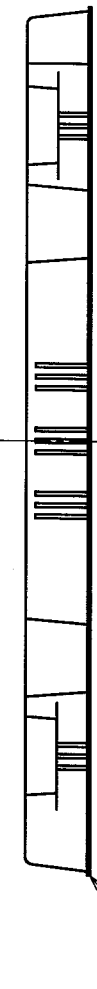
TO
PCK

5				6				7				8			
COUNT	DESCRIPTION OF REVISIONS	BY	CHKD	DATE	COUNT	DESCRIPTION OF REVISIONS	BY	CHKD	DATE	COUNT	DESCRIPTION OF REVISIONS	BY	CHKD	DATE	
△					△					△					
△					△					△					
△					△					△					



TRAY(A)

TRAY(B)



NOTE 8 TRAY:20 CONNECTORS CONTAINED.
9 TRAY A AND TRAY B ARE PLACED ALTERNATELY.

9	PS RESIN	(TRAY (A))	10	PS RESIN	(TRAY (B))
NO.	MATERIAL	FINISH, REMARKS	NO.	MATERIAL	FINISH, REMARKS
CODE NO.(OLD) CL			DRAWN H.Saitou 05.07.26		
			DESIGNED H.Saitou 05.07.26		
			CHECKED <i>S. Tomieka</i> 05.07.26		
			APPROVED <i>K. Hayama</i> 05.07.26		
			RELEASED .		
DRAWING NO. EDC3-152153-02			PART NO. MI21-50PD-SF-EJR(71)		
SCALE 1 : 2			CODE NO. CL640-7107-0-71		
UNITS mm			HRS HIROSE ELECTRIC CO., LTD		

