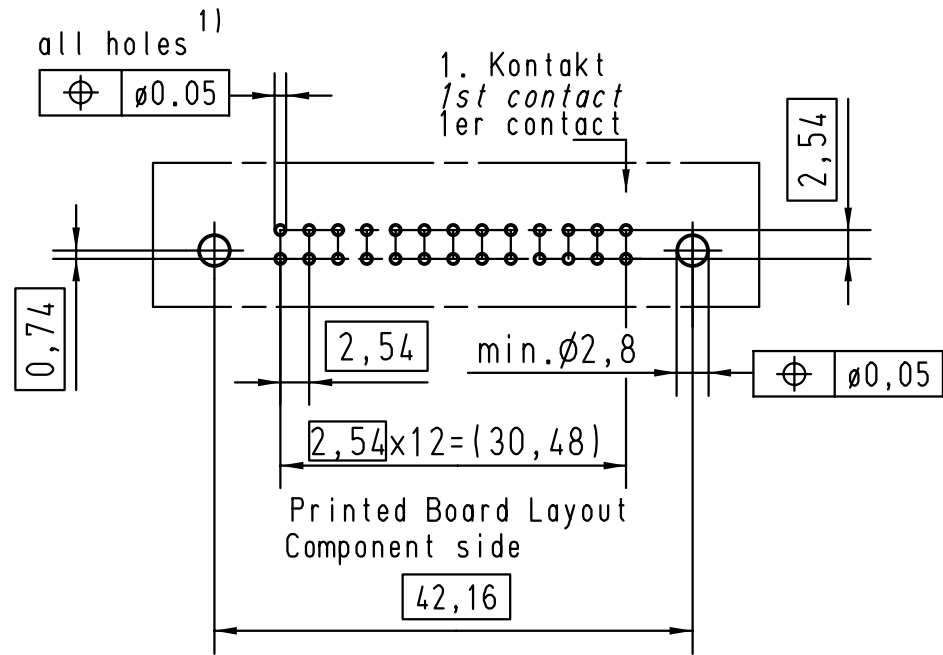
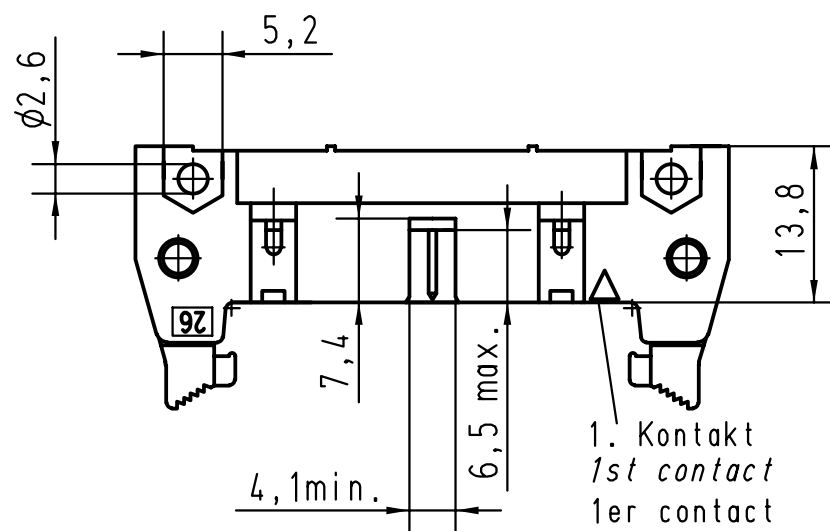
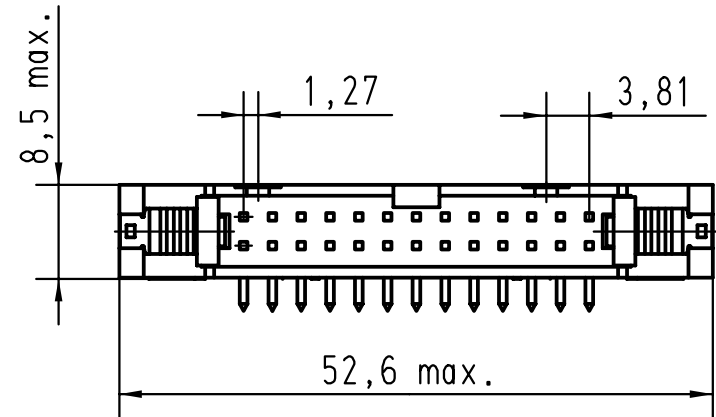
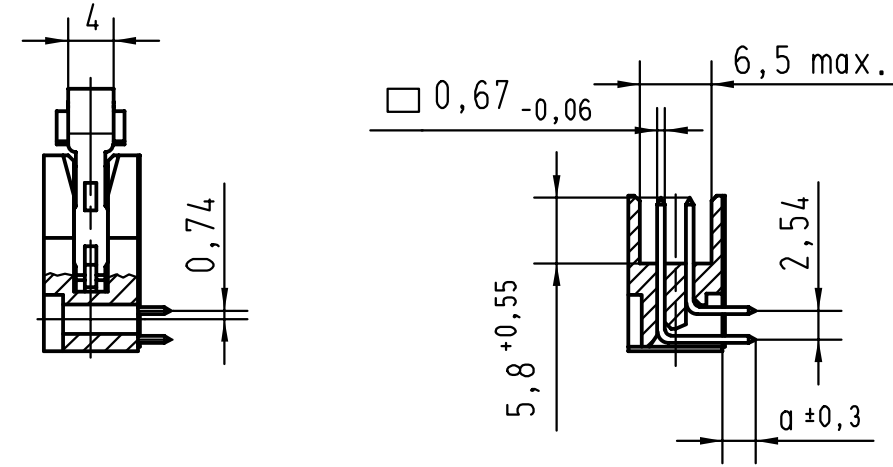
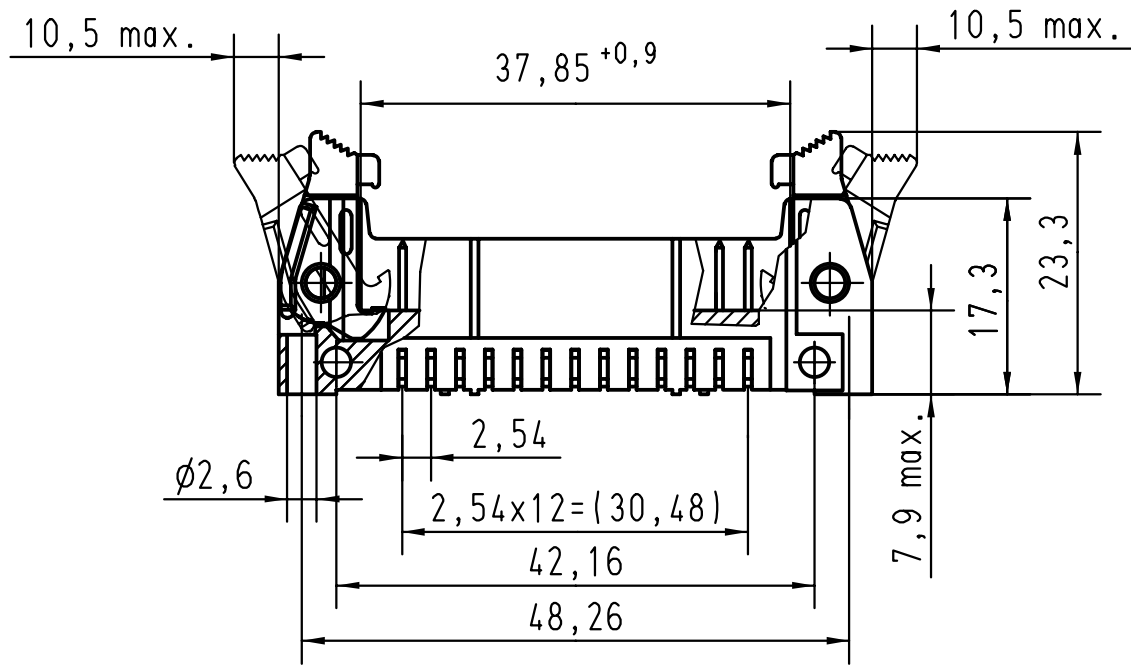


Alle Rechte vorbehalten/ All rights reserved



1) Einlötlötstifte passend für Lochungen
 $\phi 1 \pm 0.1$ nach IEC 60326-3
 Solder pins for PCB connections
 $\phi 1 \pm 0.1$ as per IEC 60326-3
 A souder pour des trous de $\phi 1 \pm 0.1$
 selon IEC 60326-3

| | | | | | | | | | | | |
|--------------------------------------|---|-----|--|---|-------------------|-----------|-------------------------------|--|------------------------|--------------------------------|-----------|
| 09185267911 | 3 | 4,5 | | All Dimensions in mm Original Size DIN A 3 | Techn. Character. | | | Nicht tolerierte Maße! Free size tolerances | | | |
| 09185266911 | 2 | 4,5 | | | | | | SEK 18 Male Connector Standard 26 poles with angled pins without locking levers | | | |
| 09185265911 | 0,76 $\mu\text{m Au}$ | 4,5 | | | | | | | | Maßstab/ Scale 1,5:1 | |
| 09185267913 | 3 | 2,9 | | | | | | | | | |
| 09185266913 | 2 | 2,9 | | | | | | | | | |
| 09185265913 | 0,76 $\mu\text{m Au}$ | 2,9 | | | 29753 | 11-MAR-02 | JB | | | Detail. | 01-DEC-99 |
| | | | | 29739 | 03-DEC-01 | JB | Insp. | | | 03-DEC-01 | JMV |
| | | | | 27931 | 15-JUNE-00 | JB | Stand. | | | | |
| Bestell-Nr. Part-No. Reference | Anforderungsstufe performance level Niveau de qualite | a | | 26554 | 01-DEC-99 | JB | HARTING EURL F-95972 Paris | | TB 0918526x91x Sub. | | |
| | | | | Mod. | Dat. | Name | | | | Blatt/ page 2/2 | |