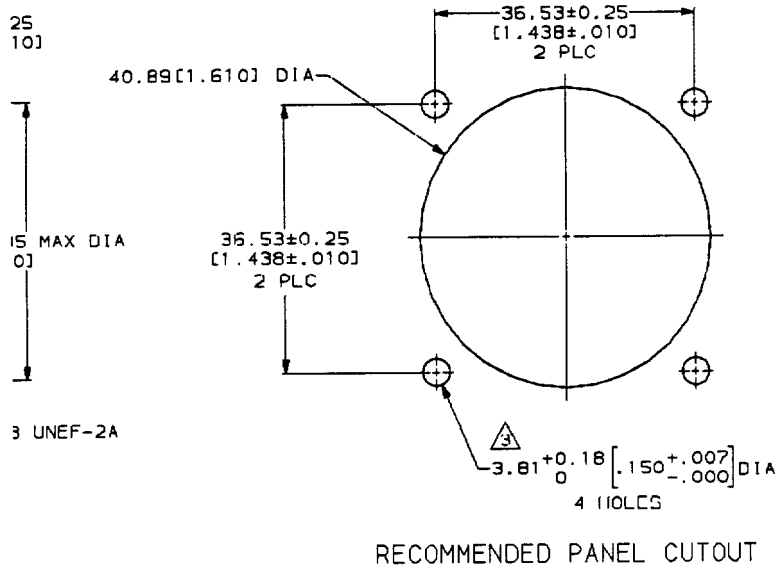


MOD	LOC	DATE	REVISIONS				
4	RD	35	ZONE	LTR	DESCRIPTION	DATE	APPD
			H		REDRAWN ON CAD & ADDED -G NPR 4832	07/08/95	-
			J		REACTIVATE -4 PER EC 0020-1075-94	12/08/94	AF



25
10J

15 MAX DIA
0J

3 UNEF-2A

SMALL PACK	NO	A	206838-5
STANDARD	YES	B	206838-1
STANDARD	YES	A	206838-3
STANDARD	NO	B	206838-2
STANDARD	NO	A	206838 1

DO NOT SCALE PRINT. UNLESS SPECIFIED DIMENSIONS IN MM (INCHES) TOLERANCES ON: 2 PLC DEC ± 0.13 (1.005) 3 PLC DEC ± - ANGLES ± -	DR 10/28/92 D.GELTZ	AMP AMP Incorporated Harrisburg, PA 17105-3608
MATERIAL HOUSING: NYLON, BLACK SEAL: ELASTOMER, GREY	CHK 08/11/93 H.SIONE	
FINISH -	APPD 08/13/93 A.FRANTUM	NAME RECEPTACLE HOUSING, STANDARD SEX, SHELL SIZE 23, CPC
	APPD 08/13/93 A.FRANTUM	SIZE CAGE CODE DRAWING NO D 00779 C=206838
	PRODUCT SPEC 108-10021	SCALE 2:1 SHEET 1 OF 1
	APPLICATION SPEC -	
	WEIGHT -	

THIS DRAWING IS A CONTROLLED DOCUMENT FOR AMP INCORPORATED. IT IS SUBJECT TO CHANGE AND THE CONTROLLING ENGINEERING ORGANIZATION SHOULD BE CONTACTED FOR THE LATEST REVISION.

CUSTOMER DRAWING

589 664 - 592-833

8

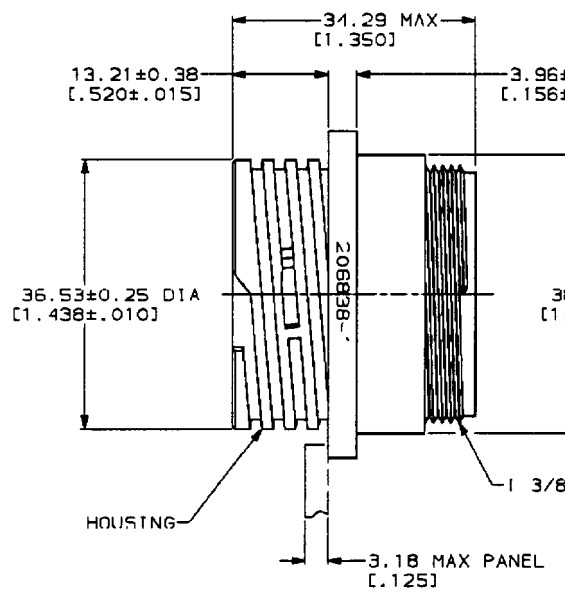
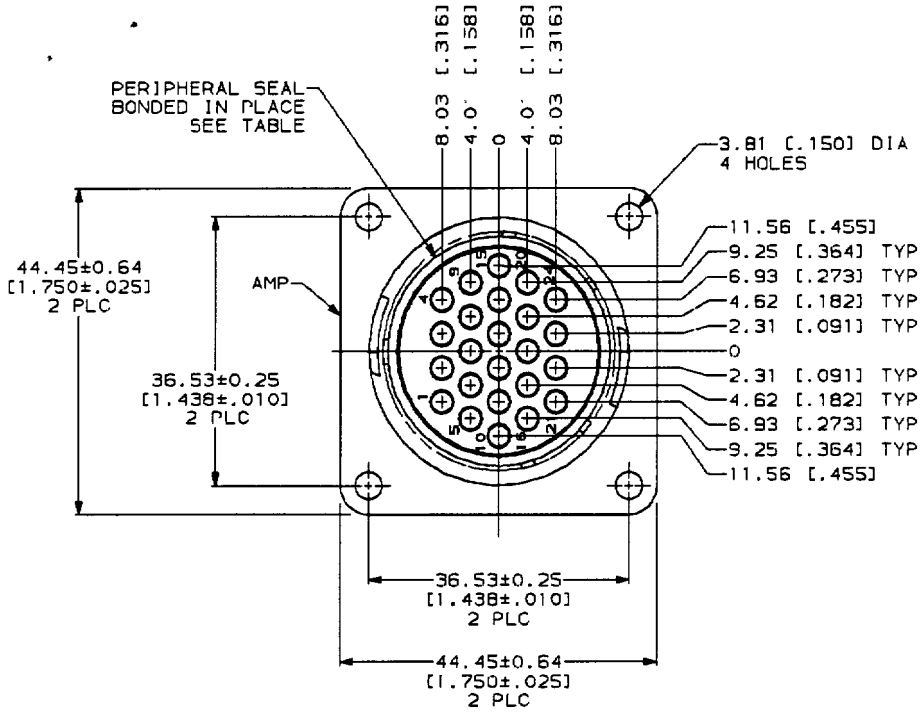
7

6

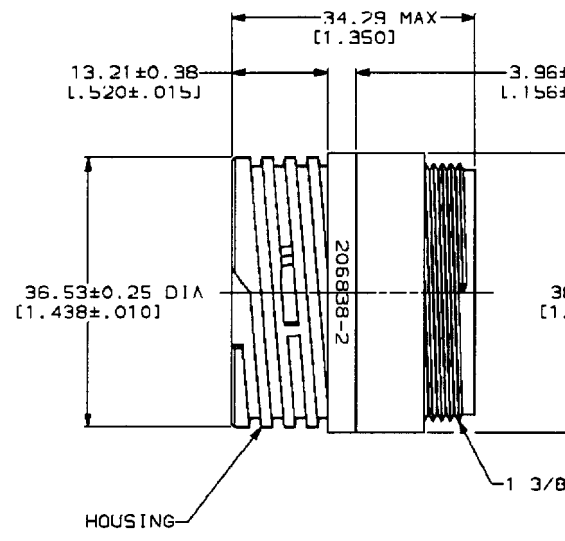
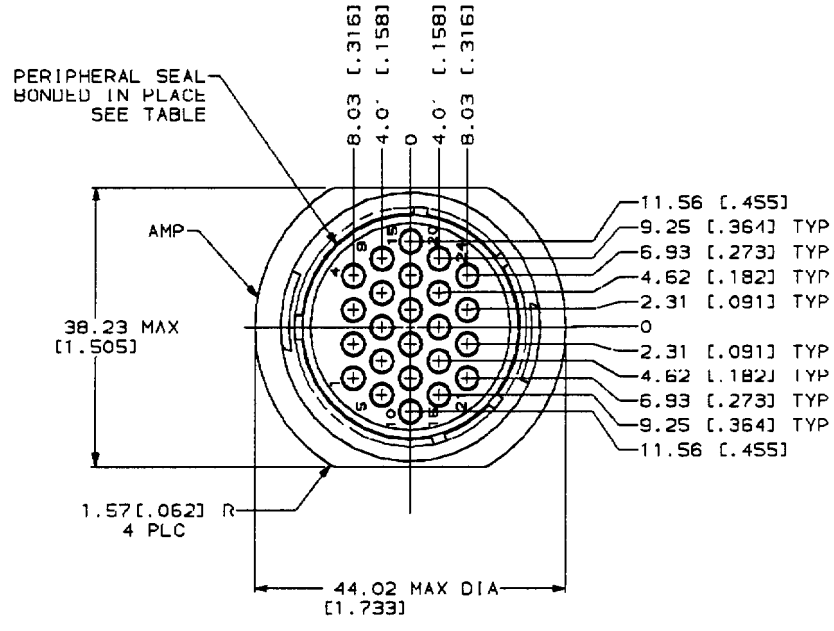
5

0

DRAWING MADE IN THIRD ANGLE PROJECTION
 THIS DRAWING IS UNPUBLISHED. RELEASED FOR PUBLICATION
 © COPYRIGHT 19 BY AMP INCORPORATED. ALL INTERNATIONAL RIGHTS RESERVED.



DETAIL A



DETAIL B

1. CAVITY IDENTIFICATION ON FRONT AND REAR FACE.
2. WILL ACCEPT (24) MULTIMATE PIN CONTACTS.
3. NO 4 FASTENER RECOMMENDED FOR MOUNTING.
4. MAXIMUM INSULATION NOT TO EXCEED .150 DIA.