



**RoHS
COMPLIANT**

**UNRELEASED DOCUMENT
REQUIRING AUTHORISATION
NOT TO BE USED FOR MANUFACTURING**

00-9158-016-020-061

PREFIX

SERIES

NO. OF WAYS

CODE	NO. OF WAYS
016	16
020	20
024	24
028	28

STACK HEIGHT

CODE	HEIGHT
020	1.9mm TO 2.1mm
025	2.1mm TO 2.7mm
030	2.8mm TO 3.3mm

PLATING VARIATION

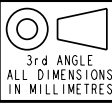
CODE	PLATING
06	SELECTIVE GOLD 0.25µm GOLD PLATED CONTACT NOSE PURE TIN TAIL

PCB LOCATION BOSSES

CODE	DESCRIPTION
1	WITH PCB LOCATION BOSSES
2	WITHOUT PCB LOCATION BOSSES

FORM-106-01-056-6 ISS 7

Release No. I00290 I01245 I01277 I01561 I02064 I02070 I02211 I02258



ELCO
© COPYRIGHT ELCO EUROPE
NOT TO BE DISCLOSED OR COPIED
WITHOUT WRITTEN PERMISSION

Drawn
GKJ
Size
CV

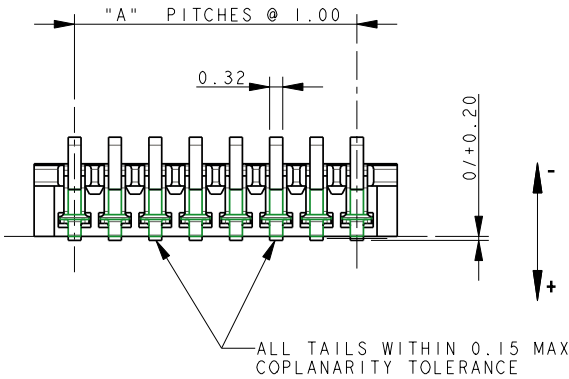
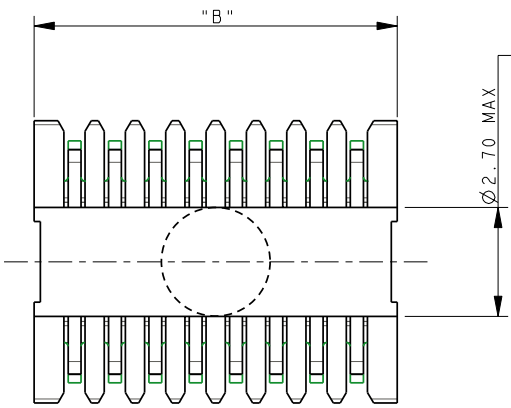
Description
9158 ORDERING CODE
Part Number
00-9158-01S SHEET 1 OF 7

DATE
29-Jul-00
Issue
7

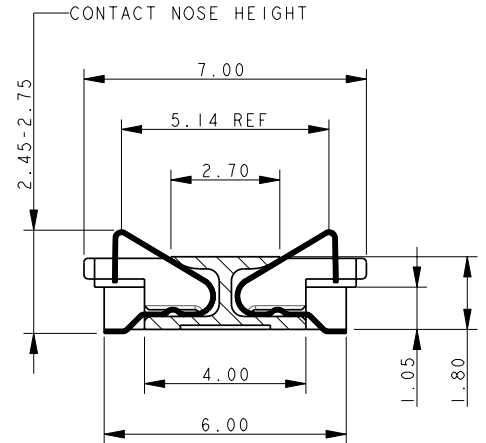
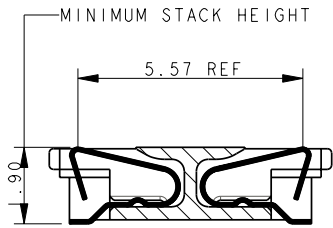
A

I

B

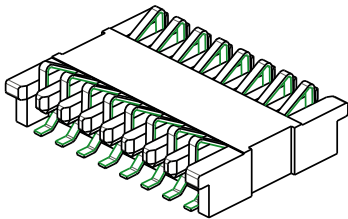


MATING CONDITION

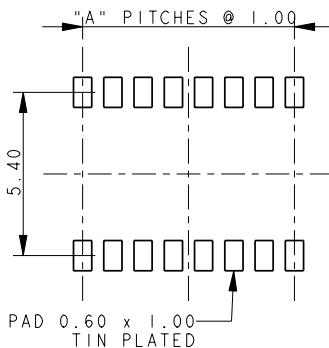


No OF POSITIONS	PART NUMBER	A	B	TAPE WIDTH	REEL QTY	PACK QTY
16	00-9158-016-020-062	7	9.00	16	1500	10500
20	00-9158-020-020-062	9	11.00	24	1500	7500
24	00-9158-024-020-062	11	13.00	24	1500	7500
28	00-9158-028-020-062	13	15.00	24	1500	7500

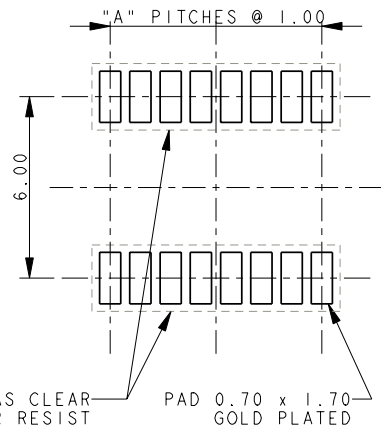
**UNRELEASED DOCUMENT
REQUIRING AUTHORISATION
NOT TO BE USED FOR MANUFACTURING**



SMT PCB FOOTPRINT



MATING PCB FOOTPRINT



NOTES

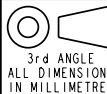
- LAYOUT FOR MULTI-WAY DUAL ROW STACKING CONNECTOR (ELCO SERIES 9158).
- FOR FULL PRODUCT SPECIFICATION REFER TO ELCO SPEC 201-01-073.
- PART TO BE PACKED IN TAPE AND REEL. REFER TO TABLE FOR QUANTITIES.
- STACKER DESIGN TO ACCOMMODATE A PCB STACKING HEIGHT OF 1.90mm TO 2.10mm.
- NO ALLOWANCE HAS BEEN MADE FOR SOLDER PASTE THICKNESS IN PCB STACKING HEIGHT.
- GENERAL TOLERANCE ± 0.20 UNLESS OTHERWISE STATED.

**SOLO
STACKER**

ELCO EUROPE (A DIVISION OF AVX LTD.) CONFIDENTIAL PROPRIETARY
THE DRAWING ON THIS PRINT AND INFORMATION THEREWITH ARE
PROPRIETARY TO ELCO EUROPE (A DIVISION OF AVX LTD.) AND
SHALL NOT BE USED OR DISCLOSED IN WHOLE OR IN PART
WITHOUT ELCO EUROPE'S WRITTEN CONSENT.

SHEET 2 OF 7

Release No.
History
100290
101245
101277
101561
102046
102070
102211
102238



ELCO

© COPYRIGHT ELCO EUROPE
NOT TO BE DISCLOSED OR COPIED
WITHOUT WRITTEN PERMISSION

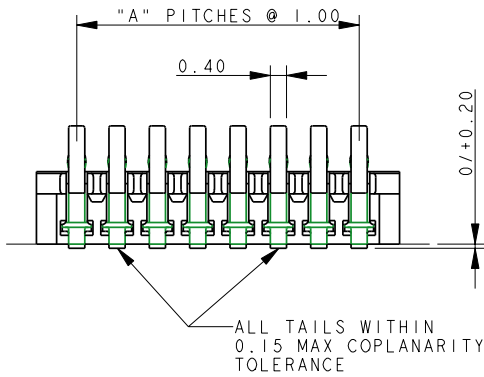
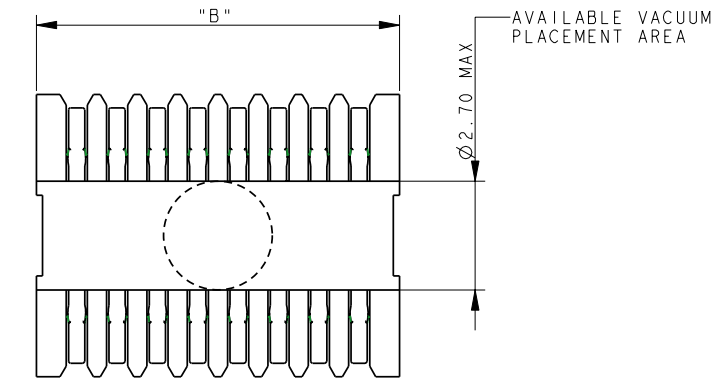
Drawn
GKJ
Size
CV

Description
STD 2.0mm SOLO STACKER W/O BOSSES
Part Number
00-9158-01S

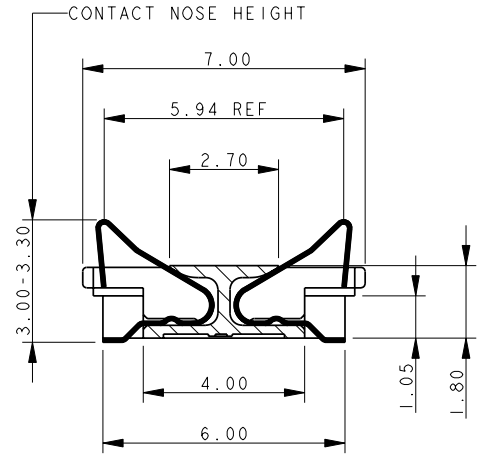
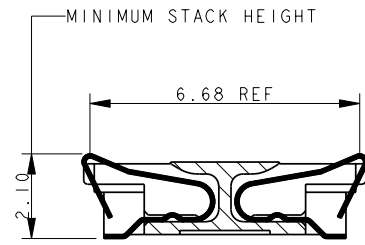
DATE
28-Sep-04
Issue
7

A

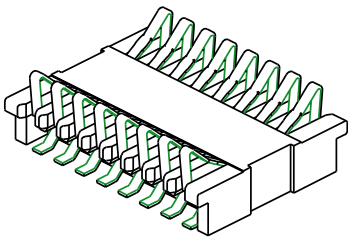
B



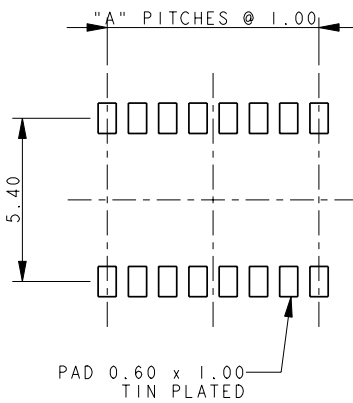
MATING CONDITION



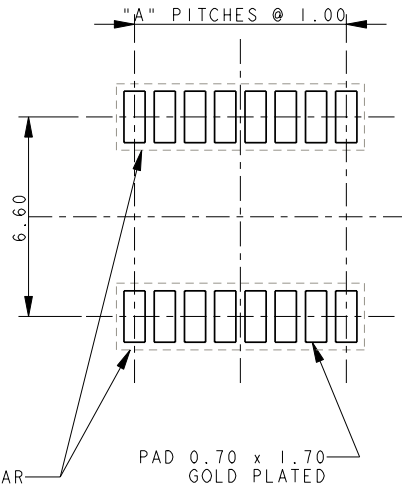
No OF POSITIONS	PART NUMBER	A	B	TAPE WIDTH	REEL QTY	PACK QTY
16	00-9158-016-025-062	7	9.00	16	1250	8750
20	00-9158-020-025-062	9	11.00	24	1250	6250
24	00-9158-024-025-062	11	13.00	24	1250	6250
28	00-9158-028-025-062	13	15.00	24	1250	6250



SMT PCB FOOTPRINT



MATING PCB FOOTPRINT



KEEP THESE AREAS CLEAR FROM SOLDER RESIST

UNRELEASED DOCUMENT
REQUIRING AUTHORIZATION
NOT TO BE USED FOR MANUFACTURING



**SOLO
STACKER**

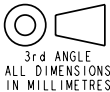
NOTES

- LAYOUT FOR MULTI-WAY DUAL ROW STACKER CONNECTOR (ELCO SERIES 9158).
- FOR FULL PRODUCT SPECIFICATION REFER TO ELCO SPEC 201-01-073.
- PART TO BE PACKED IN TAPE AND REEL. REFER TO TABLE FOR QUANTITIES.
- STACKER DESIGN TO ACCOMMODATE A PCB STACKING HEIGHT OF 2.10mm TO 2.70mm.
- NO ALLOWANCE HAS BEEN MADE FOR SOLDER PASTE THICKNESS IN PCB STACKING HEIGHT.
- GENERAL TOLERANCE ± 0.20 UNLESS OTHERWISE STATED.

ELCO EUROPE (A DIVISION OF AVX LTD.) CONFIDENTIAL PROPRIETARY
THE DRAWING ON THIS PRINT AND INFORMATION THEREWITH ARE
PROPRIETARY TO ELCO EUROPE (A DIVISION OF AVX LTD.) AND
SHALL NOT BE USED OR DISCLOSED IN WHOLE OR IN PART
WITHOUT ELCO EUROPE'S WRITTEN CONSENT.

SHEET 3 OF 7

Release No.
History
100290
101245
101277
101561
102046
102070
102211
102238



ELCO

© COPYRIGHT ELCO EUROPE
NOT TO BE DISCLOSED OR COPIED
WITHOUT WRITTEN PERMISSION

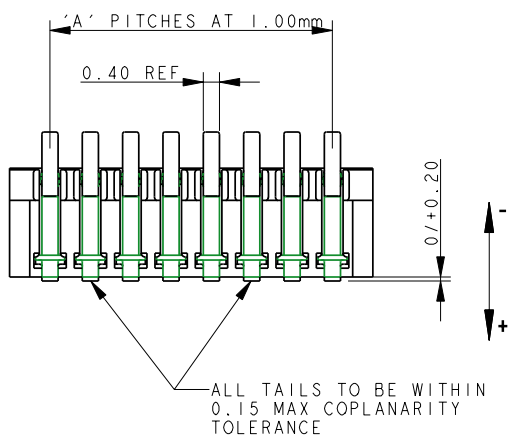
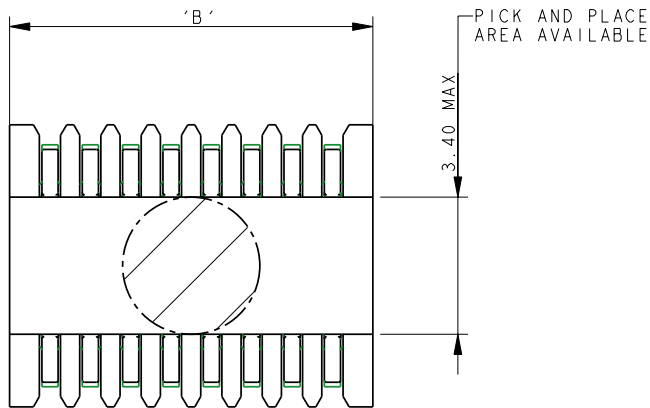
Drawn
GKJ
Size
CV

Description
STD 2.50mm SOLO STACKER W/O BOSSES

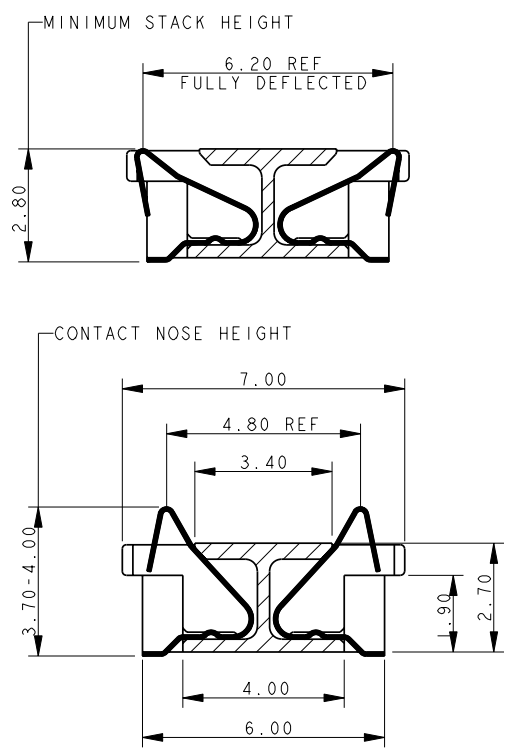
Part Number
00-9158-01S

DATE
29-Sep-04
Issue
7

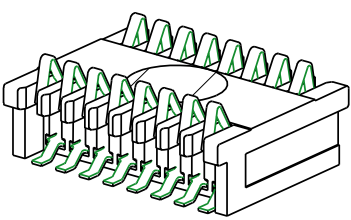
UNRELEASED DOCUMENT
REQUIRING AUTHORISATION
NOT TO BE USED FOR MANUFACTURING



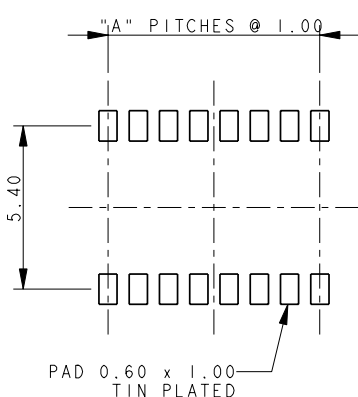
MATING CONDITION



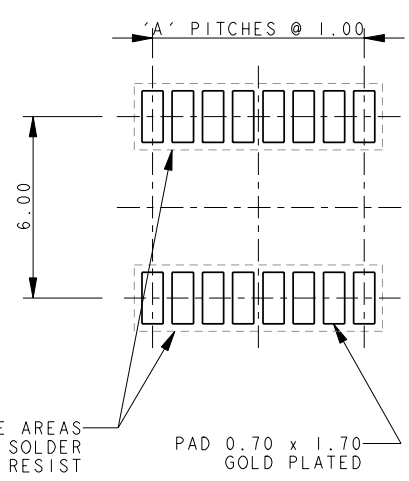
No. OF POSITIONS	PART NUMBER	A	B	TAPE WIDTH	REEL QTY	PACK QTY
16	00-9158-016-030-062	7	9.00	16	1100	7700
20	00-9158-020-030-062	9	11.00	24	1100	5500
24	00-9158-024-030-062	11	13.00	24	1100	5500
28	00-9158-028-030-062	13	15.00	24	1100	5500



SMT PCB FOOTPRINT



MATING PCB FOOTPRINT



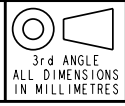
**SOLO
STACKER**

NOTES

- LAYOUT FOR MULTI-WAY DUAL ROW STACKER CONNECTOR (ELCO SERIES 9158).
- FOR FULL PRODUCT SPECIFICATION REFER TO ELCO SPEC 201-01-073.
- PART TO BE PACKED IN TAPE AND REEL. REFER TO TABLE FOR QUANTITIES.
- STACKER DESIGN TO ACCOMMODATE A PCB STACKING HEIGHT OF 2.8mm TO 3.30mm.
- NO ALLOWANCE HAS BEEN MADE FOR SOLDER PASTE THICKNESS IN PCB STACKING HEIGHT.
- GENERAL TOLERANCE ± 0.20 UNLESS OTHERWISE STATED.

ELCO EUROPE (A DIVISION OF AVX LTD.) CONFIDENTIAL PROPRIETARY
THE DRAWING ON THIS PRINT AND INFORMATION THEREWITH ARE
PROPRIETARY TO ELCO EUROPE (A DIVISION OF AVX LTD.) AND
SHALL NOT BE USED OR DISCLOSED IN WHOLE OR IN PART
WITHOUT ELCO EUROPE'S WRITTEN CONSENT.

Release No.
History
100290
101245
101277
101561
102046
102070
102211
102238

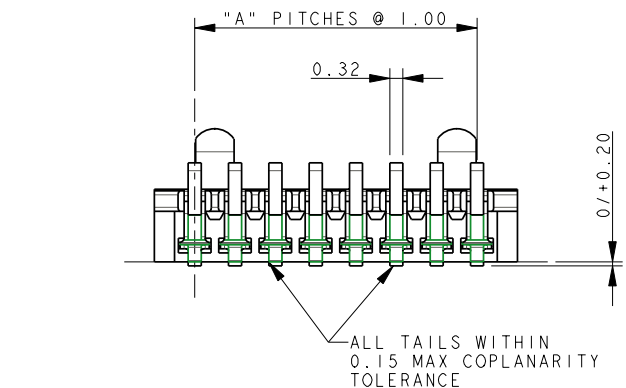
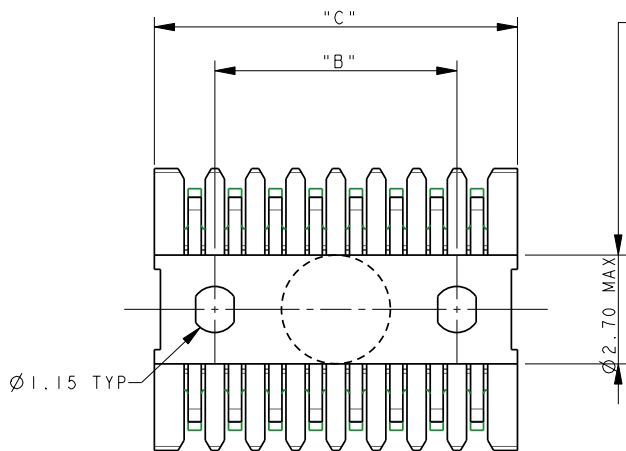


ELCO
© COPYRIGHT ELCO EUROPE
NOT TO BE DISCLOSED OR COPIED
WITHOUT WRITTEN PERMISSION

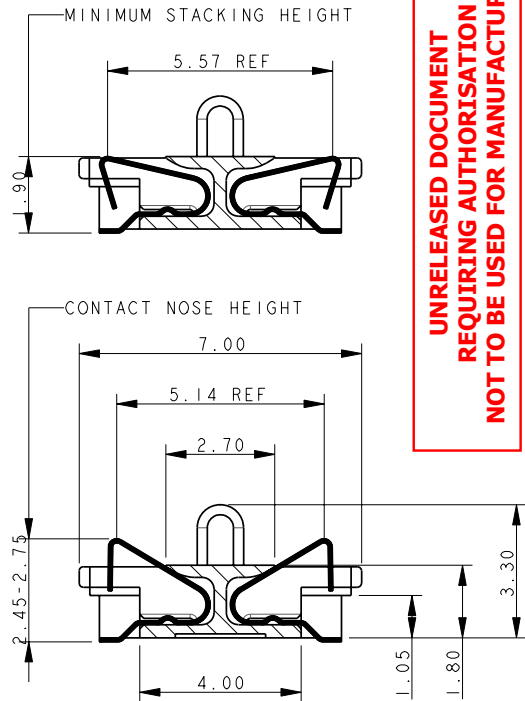
Drawn
GKJ
Size
CV

Description
STD 3.00mm SOLO STACKER W/O BOSSES
Part Number
00-9158-01S

DATE
29-Sep-04
Issue
7

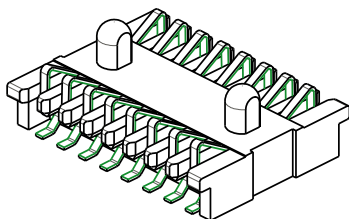


MATING CONDITION

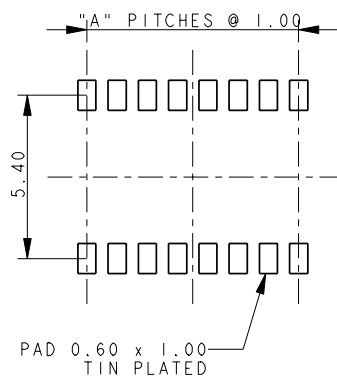


UNRELEASED DOCUMENT
REQUIRING AUTHORISATION
NOT TO BE USED FOR MANUFACTURING

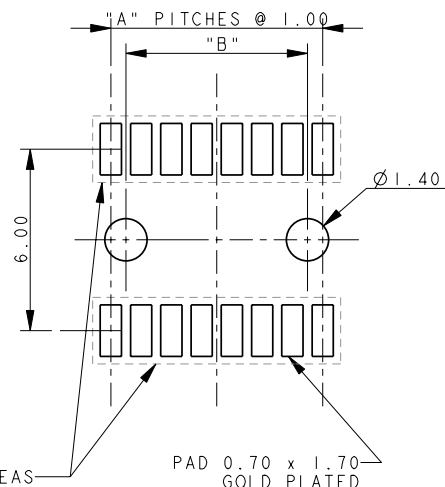
No OF POSITIONS	PART NUMBER	A	B	C	TAPE WIDTH	REEL QTY	PACK QTY
16	00-9158-016-020-061	7	6.00	9.00	16	1250	8750
20	00-9158-020-020-061	9	8.00	11.00	24	1250	6250
24	00-9158-024-020-061	11	10.00	13.00	24	1250	6250
28	00-9158-028-020-061	13	12.00	15.00	24	1250	6250



SMT PCB FOOTPRINT



MATING PCB FOOTPRINT

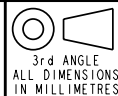


**SOLO
STACKER**

- NOTES**
- LAYOUT FOR MULTI-WAY DUAL ROW STACKING CONNECTOR (ELCO SERIES 9158).
 - FOR FULL PRODUCT SPECIFICATION REFER TO ELCO SPEC 201-01-073.
 - PART TO BE PACKED IN TAPE AND REEL. REFER TO TABLE FOR QUANTITIES.
 - STACKER DESIGN TO ACCOMMODATE A PCB STACKING HEIGHT OF 1.90mm TO 2.10mm.
 - NO ALLOWANCE HAS BEEN MADE FOR SOLDER PASTE THICKNESS IN PCB STACKING HEIGHT.
 - GENERAL TOLERANCE ± 0.20 UNLESS OTHERWISE STATED.

ELCO EUROPE (A DIVISION OF AVX LTD.) CONFIDENTIAL PROPRIETARY
THE DRAWING ON THIS PRINT AND INFORMATION THEREWITH ARE
PROPRIETARY TO ELCO EUROPE (A DIVISION OF AVX LTD.) AND
SHALL NOT BE USED OR DISCLOSED IN WHOLE OR IN PART
WITHOUT ELCO EUROPE'S WRITTEN CONSENT.

Release No.
History
100290
101245
101277
101561
102046
102070
102211
102238

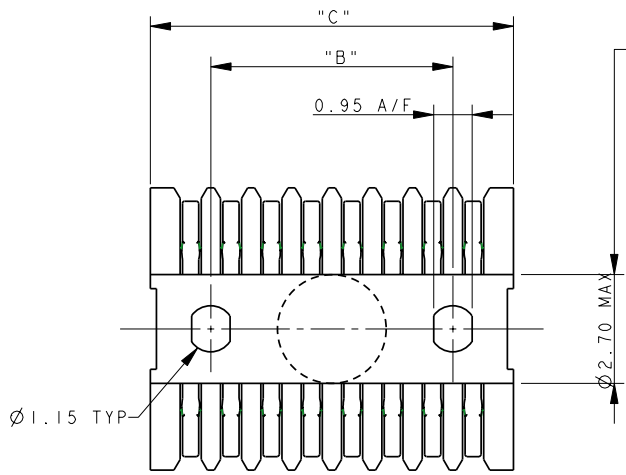


ELCO
© COPYRIGHT ELCO EUROPE
NOT TO BE DISCLOSED OR COPIED
WITHOUT WRITTEN PERMISSION

Drawn
GKJ
Size
CV

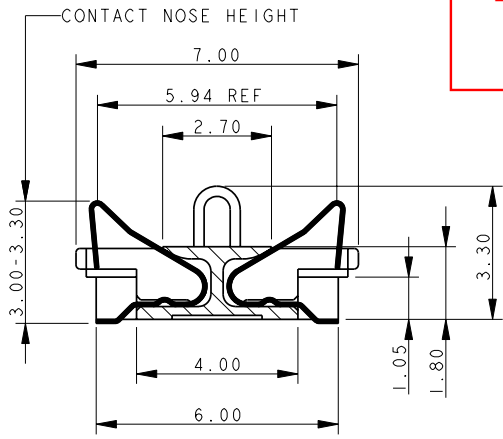
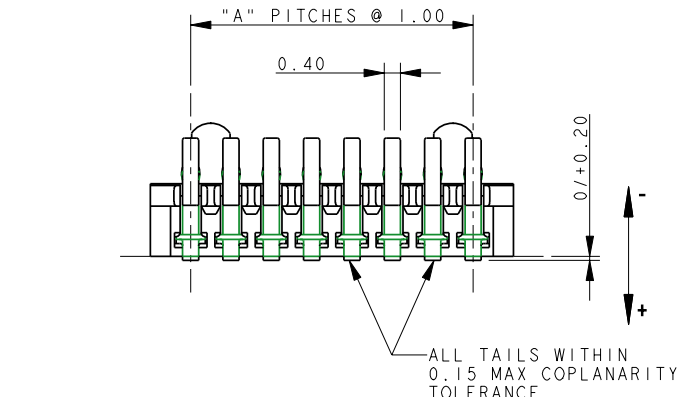
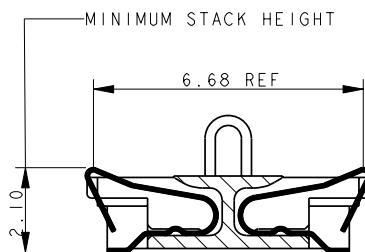
Description
STD 2.00mm SOLO STACKER W/BOSSES
Part Number
00-9158-01S

DATE
29-Sep-04
Issue
7



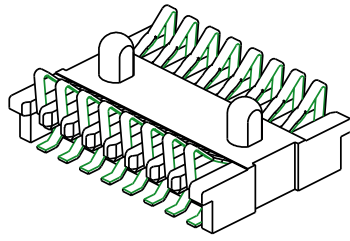
AVAILABLE VACUUM
PLACEMENT AREA

MATING CONDITION

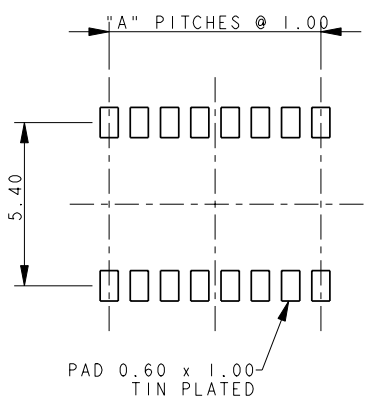


UNRELEASED DOCUMENT
REQUIRING AUTHORIZATION
NOT TO BE USED FOR MANUFACTURING

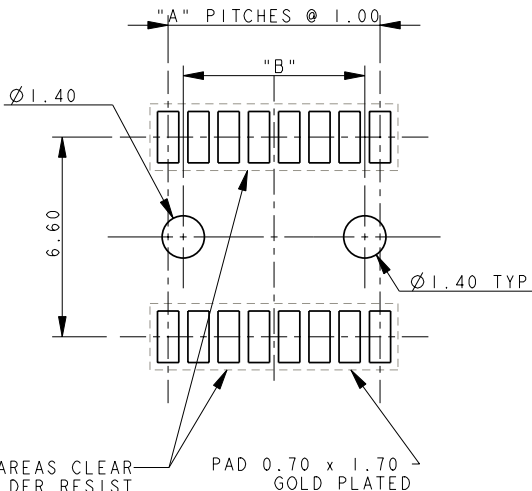
No. OF POSITIONS	PART NUMBER	A	B	C	TAPE WIDTH	REEL QTY	PACK QTY
16	00-9158-016-025-061	7	6.00	9.00	16	1250	8750
20	00-9158-020-025-061	9	8.00	11.00	24	1250	6250
24	00-9158-024-025-061	11	10.00	13.00	24	1250	6250
28	00-9158-028-025-061	13	12.00	15.00	24	1250	6250



SMT PCB FOOTPRINT



MATING PCB FOOTPRINT



KEEP THESE AREAS CLEAR FROM SOLDER RESIST

NOTES

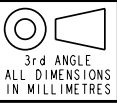
- LAYOUT FOR MULTI-WAY DUAL ROW STACKER CONNECTOR (ELCO SERIES 9158).
- FOR FULL PRODUCT SPECIFICATION REFER TO ELCO SPEC 201-01-073.
- PART TO BE PACKED IN TAPE AND REEL. REFER TO TABLE FOR QUANTITIES.
- STACKER DESIGN TO ACCOMMODATE A PCB STACKING HEIGHT OF 2.10mm TO 2.70mm.
- NO ALLOWANCE HAS BEEN MADE FOR SOLDER PASTE THICKNESS IN PCB STACKING HEIGHT.
- GENERAL TOLERANCE ± 0.20 UNLESS OTHERWISE STATED.



**SOLO
STACKER**

ELCO EUROPE (A DIVISION OF AVX LTD.) CONFIDENTIAL PROPRIETARY
THE DRAWING ON THIS PRINT AND INFORMATION THEREWITH ARE
PROPRIETARY TO ELCO EUROPE (A DIVISION OF AVX LTD.) AND
SHALL NOT BE USED OR DISCLOSED IN WHOLE OR IN PART
WITHOUT ELCO EUROPE'S WRITTEN CONSENT.

Release No.
History
100290
101245
101277
101561
102046
102070
102211
102238

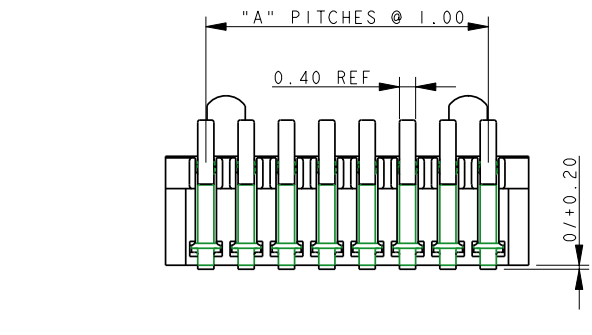
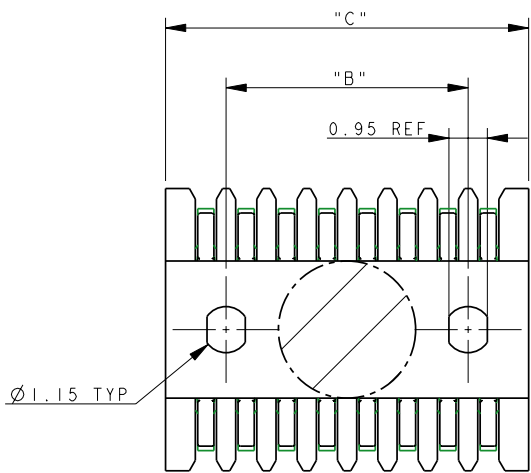


ELCO
© COPYRIGHT ELCO EUROPE
NOT TO BE DISCLOSED OR COPIED
WITHOUT WRITTEN PERMISSION

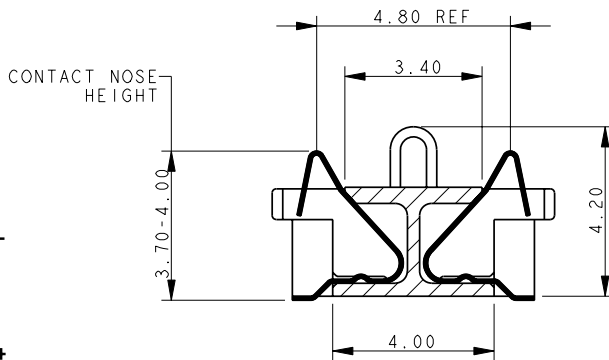
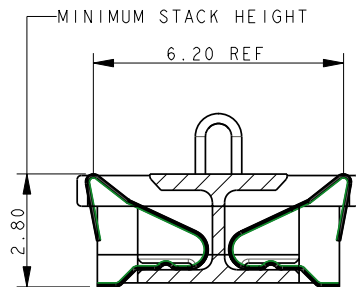
Drawn
GKJ
Size
CV

Description
STD 2.50mm SOLO STACKER W/BOSSES
Part Number
00-9158-01S

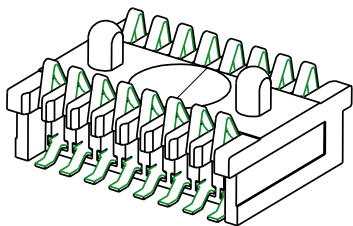
DATE
29-Sep-04
Issue
7



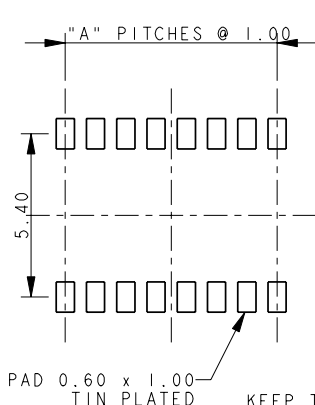
MATING CONDITION



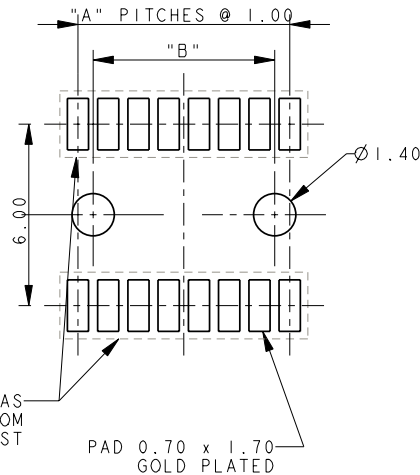
No. OF POSITIONS	PART NUMBER	A	B	C	TAPE WIDTH	REEL QTY	PACK QTY
16	00-9158-016-030-061	7	6.00	9.00	16	1100	7700
20	00-9158-020-030-061	9	8.00	11.00	24	1100	5500
24	00-9158-024-030-061	11	10.00	13.00	24	1100	5500
28	00-9158-028-030-061	13	12.00	15.00	24	1100	5500



SMT PCB FOOTPRINT



MATING PCB FOOTPRINT



**SOLO
STACKER**

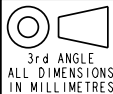
NOTES

- LAYOUT FOR MULTI-WAY DUAL ROW STACKER CONNECTOR (ELCO SERIES 9158).
- FOR FULL PRODUCT SPECIFICATION REFER TO ELCO SPEC 201-01-073.
- PART TO BE PACKED IN TAPE AND REEL. REFER TO TABLE FOR QUANTITIES.
- STACKER DESIGN TO ACCOMMODATE A PCB STACKING HEIGHT OF 2.80mm TO 3.30mm.
- NO ALLOWANCE HAS BEEN MADE FOR SOLDER PASTE THICKNESS IN PCB STACKING HEIGHT.
- GENERAL TOLERANCE ± 0.20 UNLESS OTHERWISE STATED.

SHEET 7 OF 7

ELCO EUROPE (A DIVISION OF AVX LTD.) CONFIDENTIAL PROPRIETARY
THE DRAWING ON THIS PRINT AND INFORMATION THEREWITH ARE
PROPRIETARY TO ELCO EUROPE (A DIVISION OF AVX LTD.) AND
SHALL NOT BE USED OR DISCLOSED IN WHOLE OR IN PART
WITHOUT ELCO EUROPE'S WRITTEN CONSENT.

Release No.
History
100290
101245
101277
101561
102046
102070
102211
102238



ELCO

© COPYRIGHT ELCO EUROPE
NOT TO BE DISCLOSED OR COPIED
WITHOUT WRITTEN PERMISSION

Drawn
GKJ
Size
CV

Description
STD 3.00mm Solo STACKER W/BOSSES
Part Number
00-9158-01S

DATE
29-Sep-04
Issue
7

A

B