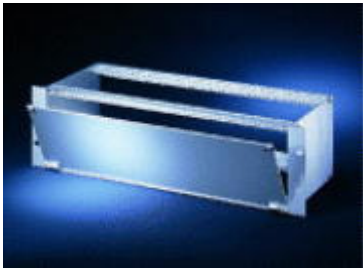


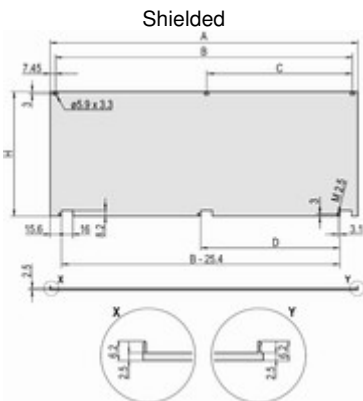
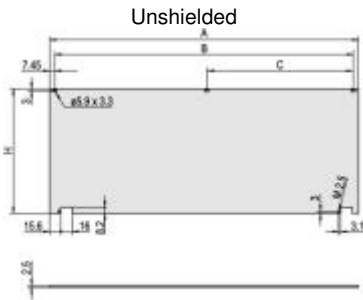
Partial front panel, bottom-hinged



Article number: 20848-601

- For subracks and case, can be unhinged at 135° (subracks, ratiopacPRO, propac case)
- Usable height is not reduced
- For mounting on horizontal rails
- Shielded, U front panel with EMC textile seal

Delivery quantity: (kit)



Item Qty Description

Item	Qty	Description
1	1	Unshielded Front panel, hinged, 2.5 mm aluminium Front anodised, rear yellow chromated
2	3	Hinge, diecast zinc, nickel-plated
3	3	Sleeve, PA
4	3	Knurled screw M2.5 x 12.3, nikkol-plated M2.5 x 12.3, nikkol-plated steel
5	1	EMC seal Core: foam Sleeve: textile cladding with CuNi mesh
6	1	Assembly parts

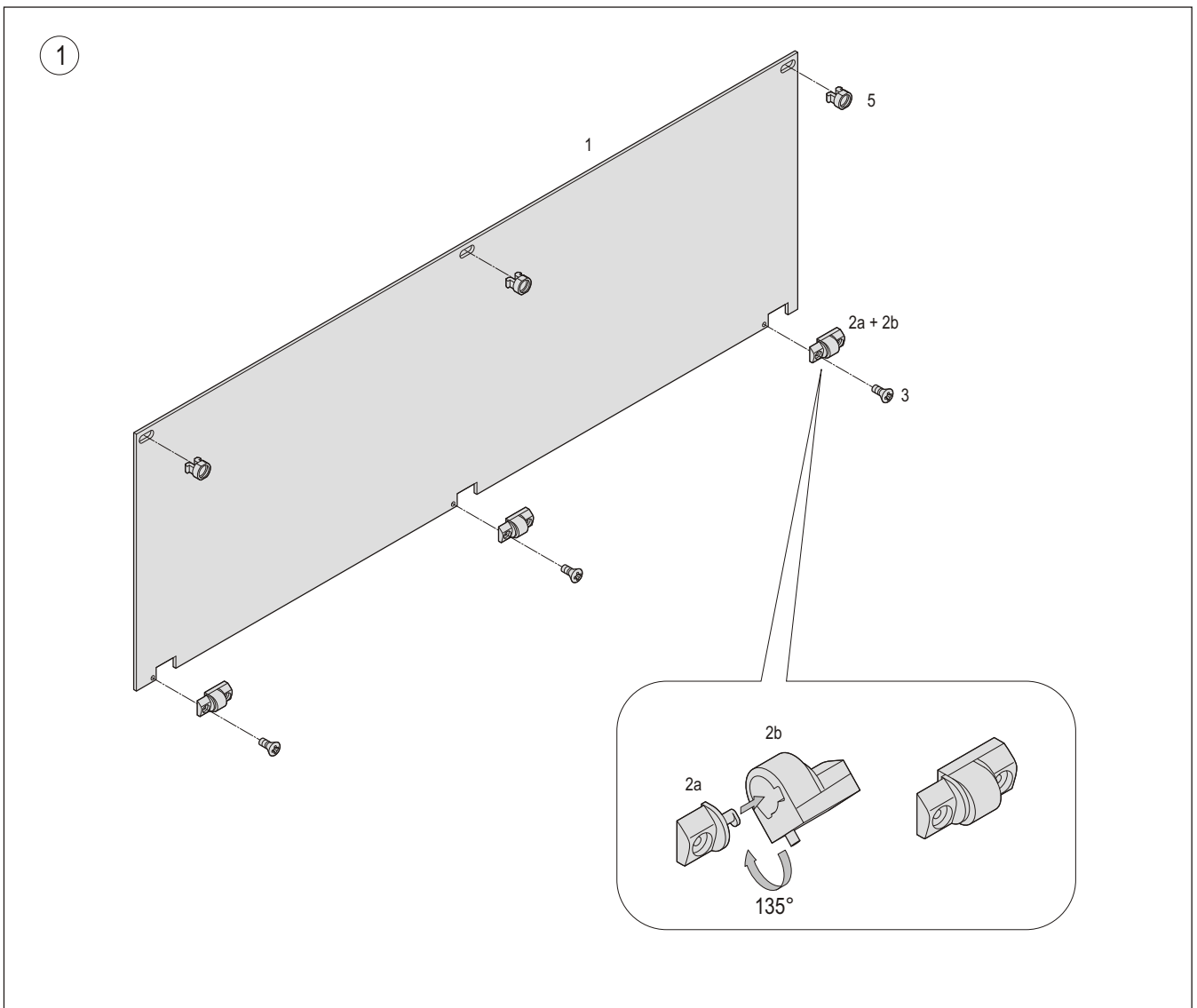
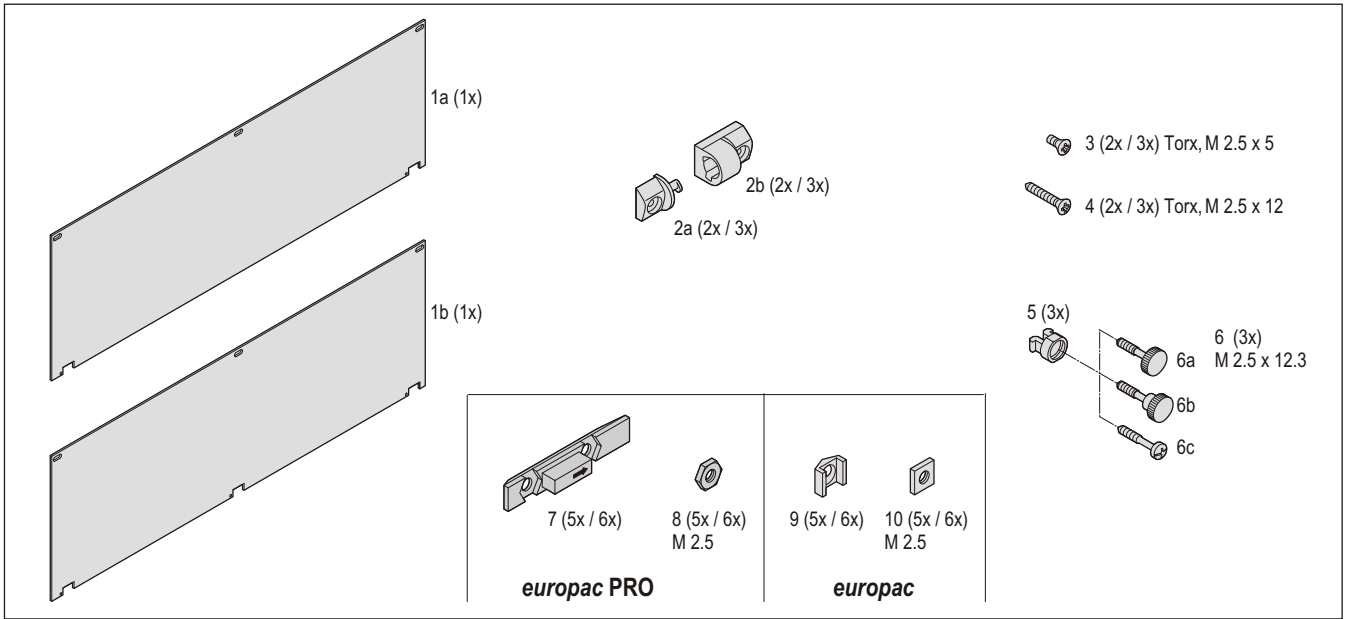
Technical data:

Height	Width	A	B	C	H	Description
3 U	84 HP	426,4 mm	411,5 mm	203,2 mm	128,4 mm	Partial width front panel, shielded

**Montageanweisung
Frontplatte klappbar**

**Assembly instructions
front panel, bottom-hinged**

**Instruction de montage
faces avant modulaires abattantes**



2

