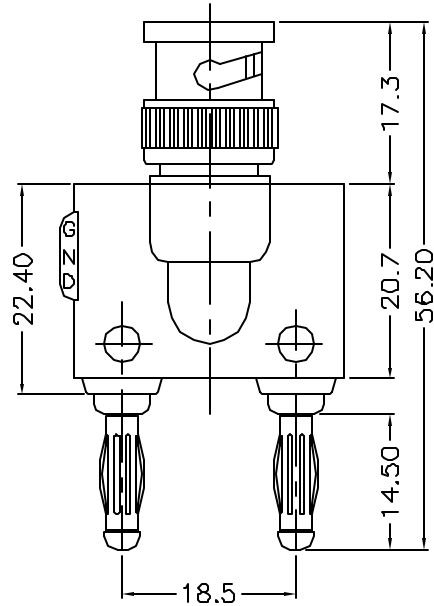
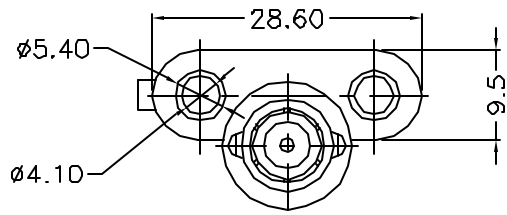
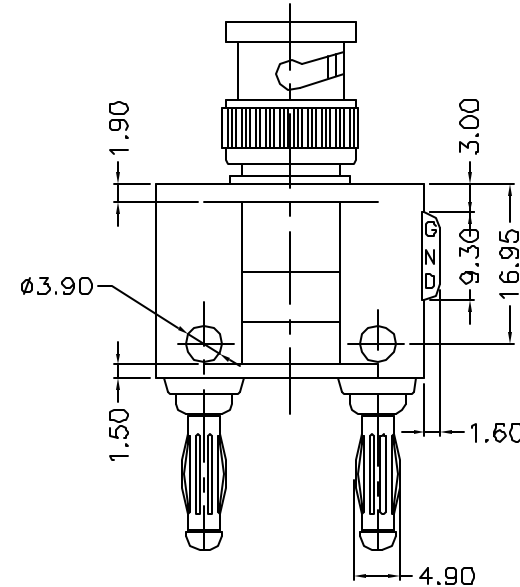
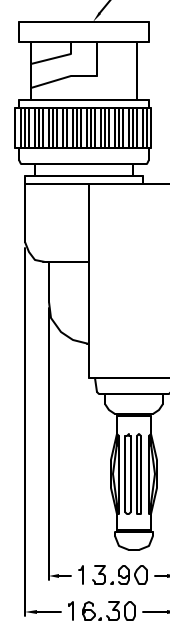


ALL RIGHTS RESERVED. NO PORTION OF THIS PUBLICATION, WHETHER IN WHOLE OR IN PART CAN BE REPRODUCED WITHOUT THE EXPRESS WRITTEN CONSENT OF SPC TECHNOLOGY.

REVISIONS			DOC. NO. SPC-F005 * Effective: 12/21/08 * DCP No: 880					
DCP #	REV	DESCRIPTION	DRAWN	DATE	CHECKD	DATE	APPRVD	DATE
1959	A	RELEASED	JN	09/23/08	JWM	09/23/08	JWM	09/23/08



BNC CONNECTOR



Specification:

1. BNC Connector: Brass, Nickel-Plated
2. Central Contact: Brass, Gold-Plated
3. Insulator: Delrin
4. Banana Plug Body: Brass, Nickel-Plated
5. Banana Plug Leaf: Beryllium Copper, Nickel-Plated
6. Plastic Body: PE, Black Color

DISCLAIMER:
ALL STATEMENTS AND TECHNICAL INFORMATION CONTAINED HEREIN ARE BASED UPON INFORMATION AND/OR TESTS WE BELIEVE TO BE ACCURATE AND RELIABLE. SINCE CONDITIONS OF USE ARE BEYOND OUR CONTROL, THE USER SHALL DETERMINE THE SUITABILITY OF THE PRODUCT FOR THE INTENDED USE AND ASSUME ALL RISK AND LIABILITY WHATSOEVER IN CONNECTION THEREWITH.



SPC TECHNOLOGY

Tolerances Unless
Otherwise Specified:
.X=±0.20 [.008]
.XX=±0.12 [.005]

DRAWN BY:	DATE:
Jason Nash	09/23/08
CHECKED BY:	DATE:
JWM	09/23/08
APPROVED BY:	DATE:
JWM	09/23/08

DRAWING TITLE: Dual Banana Plug – Black			
SIZE A	DWG. NO. SPC20525	ELECTRONIC FILE 02M2074.dwg	REV A
SCALE: NTS	U.O.M.: Millimeters [Inches]	SHEET: 1 OF 1	