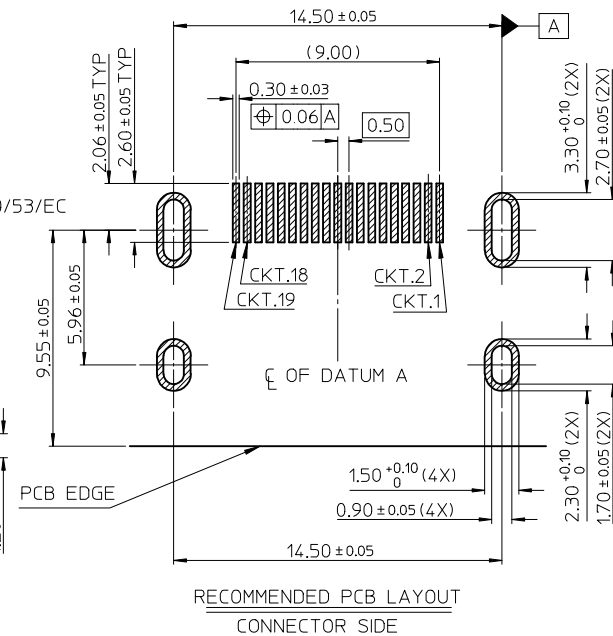
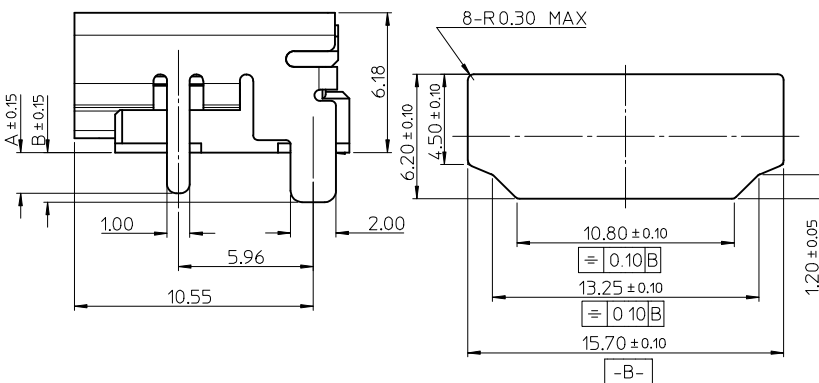
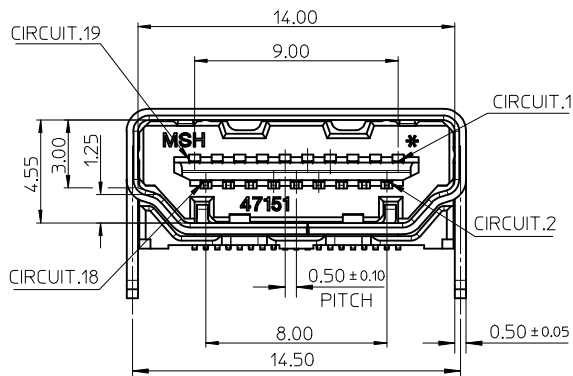
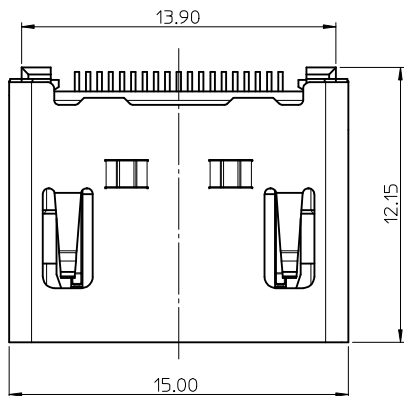
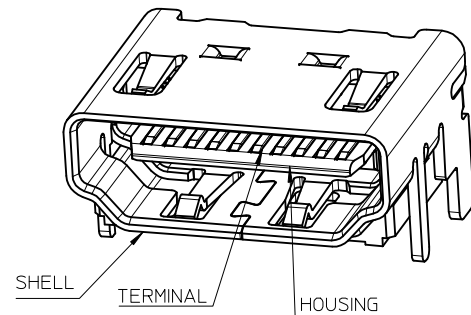


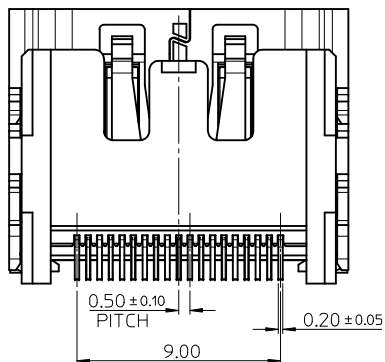
10 9 8 7 6 5 4 3 2 1

NOTES:

1. MATERIAL:
HOUSING: THERMOPLASTIC . COLOR: SEE TABLE.
SHELL: COPPER ALLOY.
TERMINAL: COPPER ALLOY.
2. PLATING:
TERMINAL:
CONTACT AREA: (1) 0.76 MICROMETER MIN. GOLD PLATING.
(2) 0.25 MICROMETER MIN. GOLD PLATING.
(3) GOLD FLASH.
(4) 0.375 MICROMETER MIN. GOLD PLATING.
SOLDER AREA: 1 MICROMETER MIN. TIN-BISMUTH ALLOY PLATED.
UNDER PLATE: 1.27 MICROMETER MIN. NICKEL.
SHELL: (a) 1.27 MICROMETER MIN. SOLDERABLE NICKEL PLATE OVERALL.
(b) GOLD FLASH PLATING OVER 1.27 MICROMETER MIN. NICKEL PLATING OVERALL.
3. COPLANARITY IS 0.1MM MAX.
4. PRODUCT SPECIFICATION REFER TO PS-47152-001.
5. PACKAGE SPECIFICATION FOR WITHOUT FLANGE REFER TO PK-47151-001.
6. PRODUCT COMPLIANT TO RoHS DEIRECTIVE 2002/95/EC AND ELV DIRECTIVE 2000/53/EC



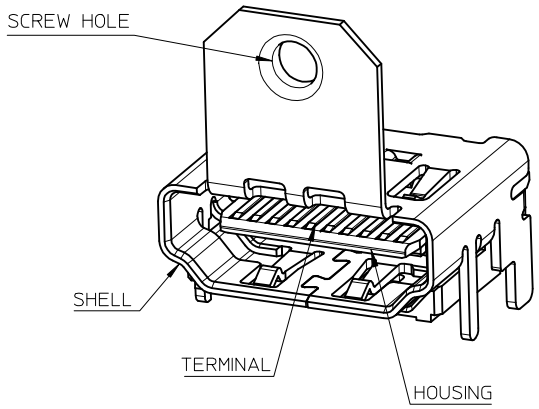
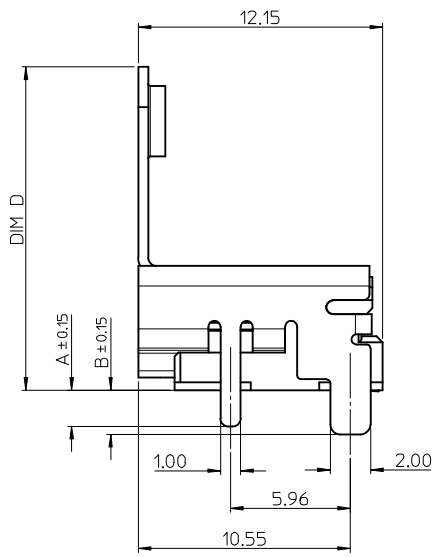
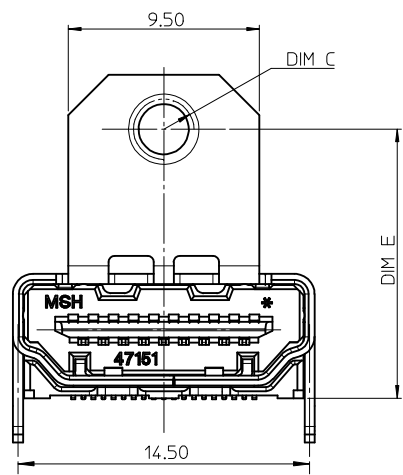
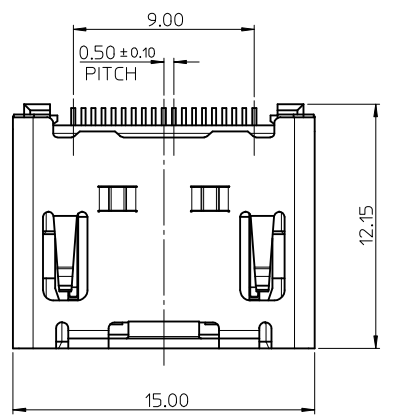
RECOMMENDED PANEL CUT OUT DIMENSION



REVISED EC NO: DRWN: CWTANG CHKD: APPR:	DESCRIPTION REV	QUALITY SYMBOLS = 0 = 0	GENERAL TOLERANCES (UNLESS SPECIFIED)		DIMENSION STYLE MM ONLY	SCALE 5:1	DESIGN UNITS METRIC	THIRD ANGLE PROJECTION
			mm	INCH	DRAWN BY RZHANG	DATE 2004/07/20	TITLE 10 HDMI RIGHT ANGLE HEADER ASSEMBLY(19 PIN) LEAD FREE	
			4 PLACES ± --- ± ---	3 PLACES ± --- ± ---	CHECKED BY GRMA	DATE 2004/07/20	MOLEX INCORPORATED	
			2 PLACES ± 0.25 ± ---	1 PLACE ± --- ± ---	APPROVED BY YTYAP	DATE 2004/07/20	DOCUMENT NO. SD-47151-001	
J1			ANGULAR ± 3 °		SEE SHEET 6			SHEET NO. 1 OF 7
DRAFT WHERE APPLICABLE MUST REMAIN WITHIN DIMENSIONS			SIZE A3		THIS DRAWING CONTAINS INFORMATION THAT IS PROPRIETARY TO MOLEX INCORPORATED AND SHOULD NOT BE USED WITHOUT WRITTEN PERMISSION			

9 8 7 6 5 4 3 2 1

10 9 8 7 6 5 4 3 2 1



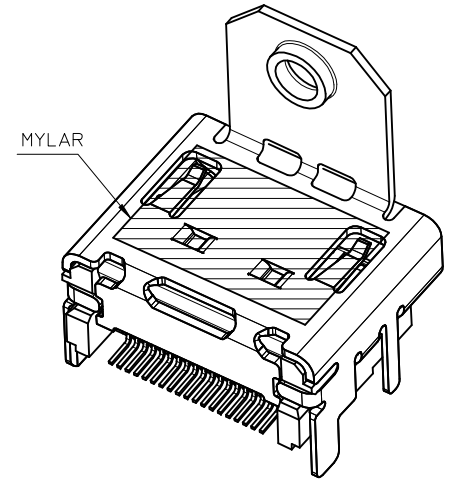
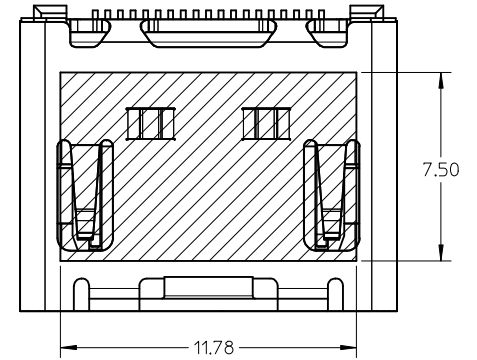
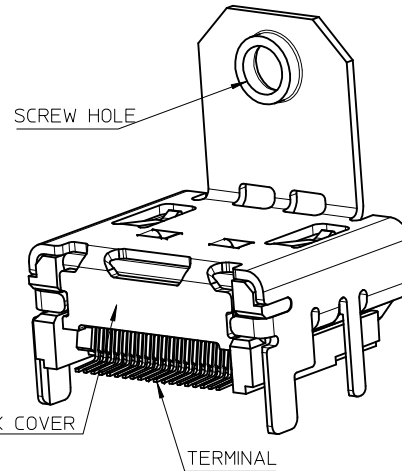
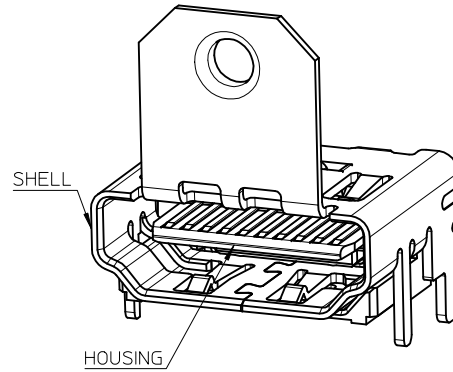
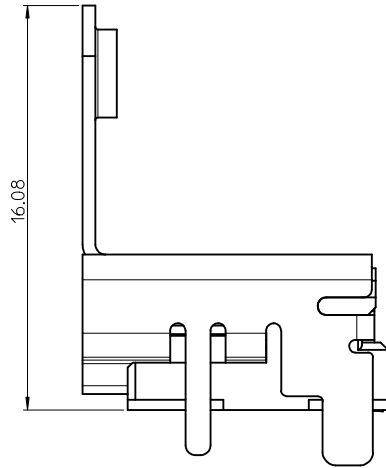
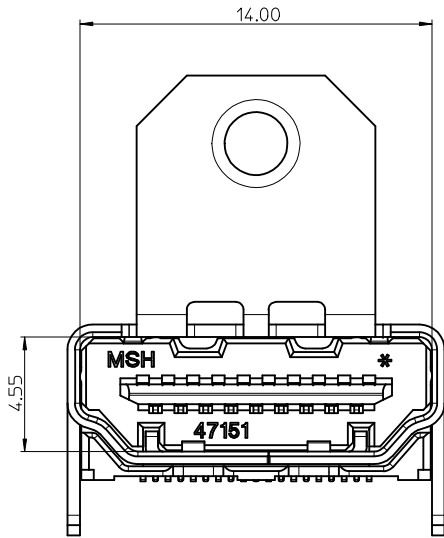
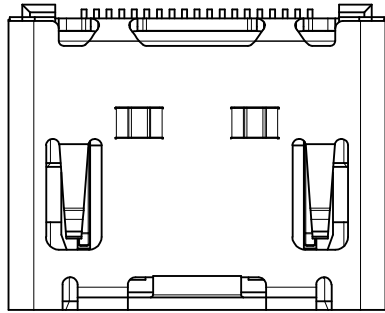
NOTES:
 1. THE UNSPECIFIED DIMENSIONS REFER TO SHEET 1.
 2. PACKAGE SPECIFICATION FOR WITH FLANGE REFER TO PK-47151-002.

REVISED EC NO: DRWN: CWTANG CHKD: APPR:	J1	DESCRIPTION REV	QUALITY SYMBOLS ▽=0 ◻=0	GENERAL TOLERANCES (UNLESS SPECIFIED)		DIMENSION STYLE MM ONLY		SCALE 5:1	DESIGN UNITS METRIC	THIRD ANGLE PROJECTION	
				mm	INCH	DRAWN BY RZHANG	DATE 2004/07/20	TITLE 1.0 HDMI RIGHT ANGLE HEADER ASSEMBLY(19 PIN) LEAD FREE			
DRAFT WHERE APPLICABLE MUST REMAIN WITHIN DIMENSIONS				4 PLACES	± ---	± ---	CHECKED BY GRMA	DATE 2004/07/20	MOLEX INCORPORATED DOCUMENT NO. SD-47151-001 SHEET NO. 2 OF 7		
				3 PLACES	± ---	± ---	APPROVED BY YTYAP	DATE 2004/07/20			
				2 PLACES	± 0.25	± ---	MATERIAL NO. SEE SHEET 6		THIS DRAWING CONTAINS INFORMATION THAT IS PROPRIETARY TO MOLEX INCORPORATED AND SHOULD NOT BE USED WITHOUT WRITTEN PERMISSION		
				1 PLACE	± ---	± ---					
				ANGULAR ± 3 °							

9 8 7 6 5 4 3 2 1

10 9 8 7 6 5 4 3 2 1

WITH BACK COVER



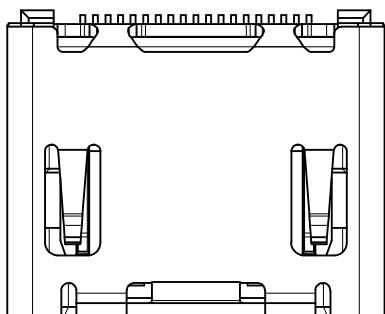
THIS IS ONLY FOR
47151-1025/6022/6032/1026/2062

NOTES:

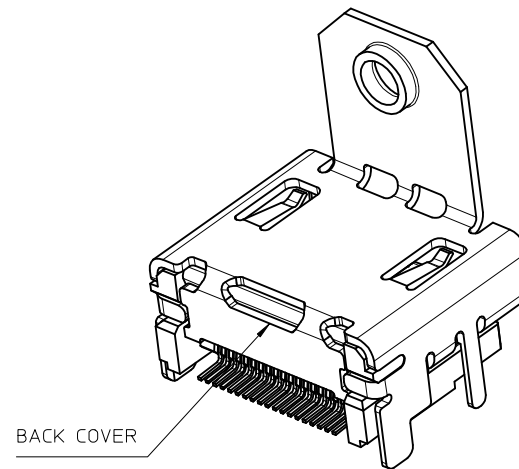
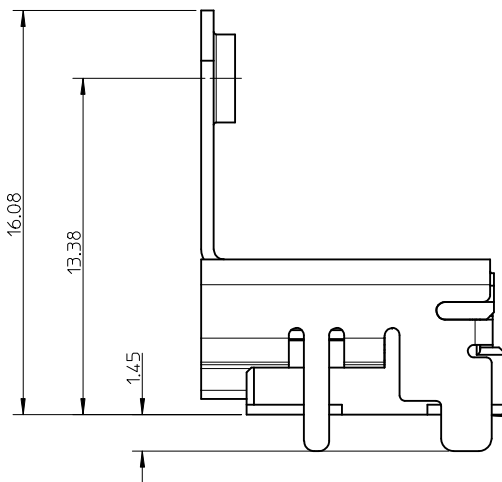
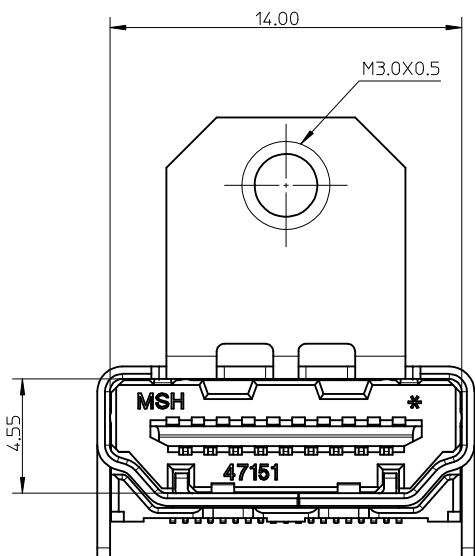
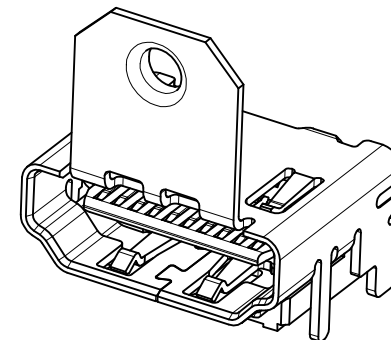
1. THE UNSPECIFIED DIMENSIONS REFER TO 47151-0002.
2. PACKAGE SPECIFICATION FOR WITH FLANGE REFER TO
OPTION 1 : 47151-6032/1026/2062 REFER TO PK-47151-005
OPTION 2 : 47151-1025/6022 REFER TO PK-47151-002

REVISED EC NO: DRW: CWTANG CHKD: APPR:	DESCRIPTION REV	QUALITY SYMBOLS ▽=0 ◻=0	GENERAL TOLERANCES (UNLESS SPECIFIED)		DIMENSION STYLE MM ONLY		SCALE 5:1	DESIGN UNITS METRIC	THIRD ANGLE PROJECTION	
			mm	INCH	DRAWN BY RZHANG	DATE 2004/07/20	TITLE 1.0 HDMI RIGHT ANGLE HEADER ASSEMBLY(19 PIN) LEAD FREE			
			4 PLACES ± --- ± ---	3 PLACES ± --- ± ---	CHECKED BY GRMA	DATE 2004/07/20	MOLEX INCORPORATED			
			2 PLACES ± 0.25 ± ---	1 PLACE ± --- ± ---	APPROVED BY YTYAP	DATE 2004/07/20	DOCUMENT NO. SD-47151-001		SHEET NO. 4 OF 7	
DRAFT WHERE APPLICABLE MUST REMAIN WITHIN DIMENSIONS			ANGULAR ± 3 °		SEE SHEET 7		THIS DRAWING CONTAINS INFORMATION THAT IS PROPRIETARY TO MOLEX INCORPORATED AND SHOULD NOT BE USED WITHOUT WRITTEN PERMISSION			

9 8 7 6 5 4 3 2 1



WITHOUT TOP HOLE



NOTES:
1. THE UNSPECIFIED DIMENSIONS REFER TO 47151-1102.

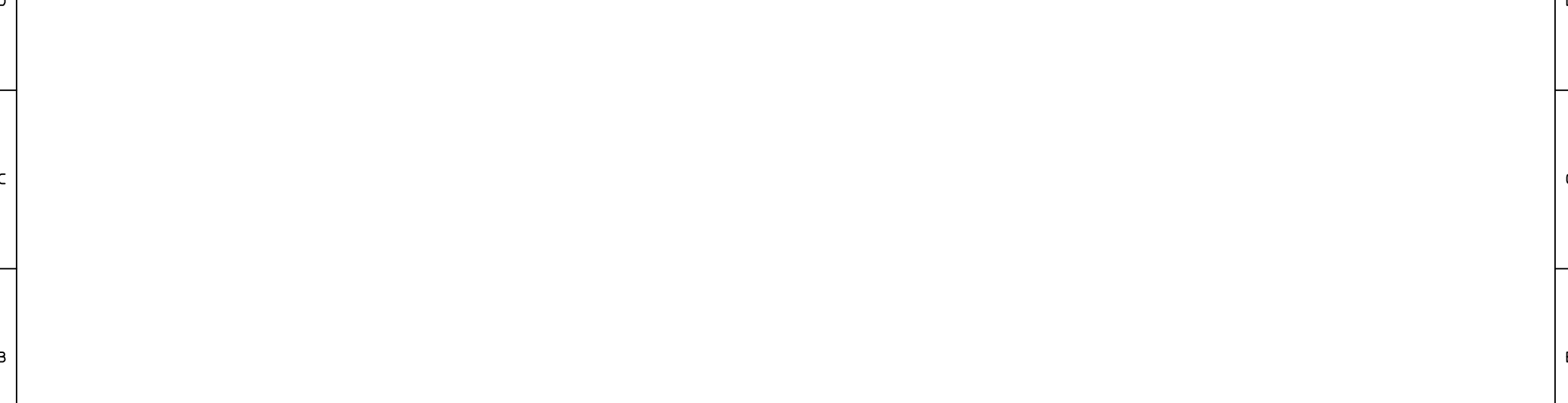
REVISED EC NO: J1	DESCRIPTION DRWN: CWTANG CHKD: APPR:	QUALITY SYMBOLS ▽=0 ▽=0	GENERAL TOLERANCES (UNLESS SPECIFIED)		DIMENSION STYLE MM ONLY	SCALE 5:1	DESIGN UNITS METRIC	THIRD ANGLE PROJECTION		
			mm	INCH	DRAWN BY RZHANG	DATE 2004/07/20	TITLE 1.0 HDMI RIGHT ANGLE HEADER ASSEMBLY(19 PIN) LEAD FREE			
			4 PLACES ± ---	± ---	CHECKED BY GRMA	DATE 2004/07/20	MOLEX INCORPORATED			
			3 PLACES ± ---	± ---	APPROVED BY YTYAP	DATE 2004/07/20	MATERIAL NO. SEE SHEET 7		DOCUMENT NO. SD-47151-001	SHEET NO. 5 OF 7
		ANGULAR ± 3 °		DRAFT WHERE APPLICABLE MUST REMAIN WITHIN DIMENSIONS		THIS DRAWING CONTAINS INFORMATION THAT IS PROPRIETARY TO MOLEX INCORPORATED AND SHOULD NOT BE USED WITHOUT WRITTEN PERMISSION				

10		9				8		7		6		5		4		3		2		1											
ASSEMBLY NO.	DIMENSION					FEATURE				HOUSING COLOR	GOLD PLATING IN CONTACT AREA	SHELL PLATING	REMARK																		
	DIM A	DIM B	DIM C	DIM D	DIM E	FANGE	BACK COVER	TOP HOLES	MYLAR																						
47151-0001	1.80	2.20	/	/	/	W/O	W/O			W/O	BLACK	SEE NOTE 2 (1)	SEE NOTE 2 (a)	FOR SHEET 1																	
47151-0051											BLACK	SEE NOTE 2 (3)																			
47151-0011											NATURE																				
47151-0021											BLACK										SEE NOTE 2 (1)		SEE NOTE 2 (b)								
47151-0031											NATURE																				
47151-0101											BLACK												SEE NOTE 2 (a)								
47151-0151	1.45	1.45	/	/	/	W/O	W/O			W/O	BLACK	SEE NOTE 2 (3)		FOR SHEE 2																	
47151-0111											NATURE																				
47151-0121											BLACK										SEE NOTE 2 (1)		SEE NOTE 2 (b)								
47151-0131											NATURE																				
47151-0002											BLACK												SEE NOTE 2 (a)								
47151-0012											NATURE																				
47151-0022	BLACK												SEE NOTE 2 (b)																		
47151-0032	NATURE																														
47151-0102	BLACK											SEE NOTE 2 (a)																			
47151-0112	1.45	1.45	M3.0X0.5	16.08	13.38	WITH	W/O			W/O	BLACK	SEE NOTE 2 (1)		FOR SHEE 2																	
47151-0122											NATURE																				
47151-0132											BLACK												SEE NOTE 2 (b)								
47151-6002											1.80	2.20			14.25	11.28								SEE NOTE 2 (a)							
47151-6102	1.45	1.45																													
47151-1001	1.80	2.20	/	/	/	W/O	W/O			W/O	BLACK	SEE NOTE 2 (1)		FOR SHEET 3																	
47151-1061											WITH	BLACK																			
47151-1041											W/O	BLACK										SEE NOTE 2 (2)		SEE NOTE 2 (a)							
47151-1071											WITH	BLACK																			
47151-1051											W/O	BLACK										SEE NOTE 2 (3)									
47151-1081											WITH	BLACK																			
47151-1011											NATURE																				
47151-1021											BLACK											SEE NOTE 2 (1)		SEE NOTE 2 (b)							
47151-1091											BLACK											SEE NOTE 2 (3)									
47151-1031											NATURE											SEE NOTE 2 (1)									
47151-1101	BLACK																														
47151-1141	1.45	1.45	/	/	/	W/O	WITH			W/O	BLACK	SEE NOTE 2 (2)		FOR SHEET 3																	
47151-1151											BLACK											SEE NOTE 2 (3)		SEE NOTE 2 (a)							
47151-1111											NATURE																				
47151-1121											BLACK											SEE NOTE 2 (1)		SEE NOTE 2 (b)							
47151-1131											NATURE																				

C																			
B																			

REVISED EC NO: DRWNCWTANG CHKD: J1 APPR:	2008/10/29 DESCRIPTION REV	QUALITY SYMBOLS 	GENERAL TOLERANCES (UNLESS SPECIFIED)		DIMENSION STYLE MM ONLY		SCALE 1:1	DESIGN UNITS METRIC	THIRD ANGLE PROJECTION		TITLE 1.0 HDMI RIGHT ANGLE HEADER ASSEMBLY(19 PIN) LEAD FREE																				
		4 PLACES ± --- ± ---		3 PLACES ± --- ± ---		2 PLACES ± 0.25 ± ---		1 PLACE ± --- ± ---		ANGULAR ± 3 °		DRAFT WHERE APPLICABLE MUST REMAIN WITHIN DIMENSIONS		DRAWN BY RZHANG		DATE 2004/07/20		CHECKED BY GRMA		DATE 2004/07/20		APPROVED BY YTYAP		DATE 2004/07/20		MATERIAL NO. SEE TABLE		DOCUMENT NO. SD-47151-001		SHEET NO. 6 OF 7	
		THIS DRAWING CONTAINS INFORMATION THAT IS PROPRIETARY TO MOLEX INCORPORATED AND SHOULD NOT BE USED WITHOUT WRITTEN PERMISSION												MOLEX INCORPORATED																	
														SIZE A3																	

ASSEMBLY NO.	DIMENSION					FEATURE				HOUSING COLOR	GOLD PLATING IN CONTACT AREA	SHELL PLATING	REMARK
	DIM A	DIM B	DIM C	DIM D	DIM E	FLANGE	BACK COVER	TOP HOLES	MYLAR				
47151-1002	1.80	2.20	M3.0X0.5	16.08	13.38	WITH	WITH	WITH	W/O	BLACK	SEE NOTE 2 (1)	SEE NOTE 2 (a)	FOR SHEET 4
47151-1042										BLACK	SEE NOTE 2 (2)		
47151-1052										BLACK	SEE NOTE 2 (3)		
47151-1062										BLACK	SEE NOTE 2 (4)		
47151-2062										WITH			
47151-1102	1.45	1.45	M3.0X0.5	16.08	13.38	WITH	WITH	WITH	W/O	NATURE	SEE NOTE 2 (1)	SEE NOTE 2 (a)	FOR SHEET 4
47151-1012										BLACK			
47151-1022										NATURE			
47151-1032										BLACK			
47151-1102										BLACK			
47151-1142	BLACK	SEE NOTE 2 (2)	SEE NOTE 2 (b)										
47151-1152	BALCK	SEE NOTE 2 (3)											
47151-1112	NATURE	SEE NOTE 2 (1)											
47151-1122	BLACK												
47151-1132	NATURE												
47151-1005	1.80	2.20	4-40						WITH	BLACK	SEE NOTE 2 (a)	FOR SHEET 5	
47151-1015													
47151-1025													
47151-1026													
47151-6012													
47151-6022	1.80	2.20	M3.0X0.5	14.25	11.28				W/O	BLACK	SEE NOTE 2 (2)	FOR SHEET 5	
47151-6042										BLACK			SEE NOTE 2 (3)
47151-6052										BLACK			
47151-6032										BLACK			SEE NOTE 2 (1)
47151-6112										BLACK			SEE NOTE 2 (2)
47151-6142	1.45	1.45							W/O	BLACK	SEE NOTE 2 (3)		
47151-6152										BLACK	SEE NOTE 2 (1)		
47151-7102										/	/	/	/



REVISED IEC NO: SH2009-0262 DRWN: CWTANG 2008/10/29 CH'KD: JISONG 2008/10/29 APPR: HHWANG 2008/11/12 REV DESCRIPTION	QUALITY SYMBOLS	GENERAL TOLERANCES (UNLESS SPECIFIED) <table border="1"> <tr> <td></td> <td>mm</td> <td>INCH</td> </tr> <tr> <td>4 PLACES</td> <td>± ---</td> <td>± ---</td> </tr> <tr> <td>3 PLACES</td> <td>± ---</td> <td>± ---</td> </tr> <tr> <td>2 PLACES</td> <td>± 0.25</td> <td>± ---</td> </tr> <tr> <td>1 PLACE</td> <td>± ---</td> <td>± ---</td> </tr> <tr> <td colspan="3">ANGULAR ± 3 °</td> </tr> </table>		mm	INCH	4 PLACES	± ---	± ---	3 PLACES	± ---	± ---	2 PLACES	± 0.25	± ---	1 PLACE	± ---	± ---	ANGULAR ± 3 °			DIMENSION STYLE MM ONLY DRAWN BY: RZHANG DATE: 2004/07/20 CHECKED BY: GRMA DATE: 2004/07/20 APPROVED BY: YTYAP DATE: 2004/07/20 MATERIAL NO. SEE TABLE	SCALE: 1:1 DESIGN UNITS: METRIC THIRD ANGLE PROJECTION	TITLE: 1.0 HDMI RIGHT ANGLE HEADER ASSEMBLY(19 PIN) LEAD FREE MOLEX INCORPORATED DOCUMENT NO. SD-47151-001 SHEET NO. 7 OF 7
			mm	INCH																			
	4 PLACES		± ---	± ---																			
	3 PLACES		± ---	± ---																			
	2 PLACES		± 0.25	± ---																			
1 PLACE	± ---	± ---																					
ANGULAR ± 3 °																							
=0 =0	DRAFT WHERE APPLICABLE MUST REMAIN WITHIN DIMENSIONS	THIS DRAWING CONTAINS INFORMATION THAT IS PROPRIETARY TO MOLEX INCORPORATED AND SHOULD NOT BE USED WITHOUT WRITTEN PERMISSION																					