

NOTES:

1 TO DETERMINE DIMENSIONS TAKE N=NR. OF POS.
FOR EXAMPLE, 10 POS., $N \times 2,54 = 25,4$ mm.
FOR ORDERNR. USE BASIC NR.+NR. OF POS.
FOR EXAMPLE, 2x 2 POS.= 216604-2 (SHORTEST VERSION)
2x65 POS.= 6-216604-5 (LONGEST VERSION)

2 HOUSING MATERIAL, GREEN GLASSFILLED POLYESTER, UL 94V-0
CONTACT MATERIAL, PHOSPHORBRONZE.

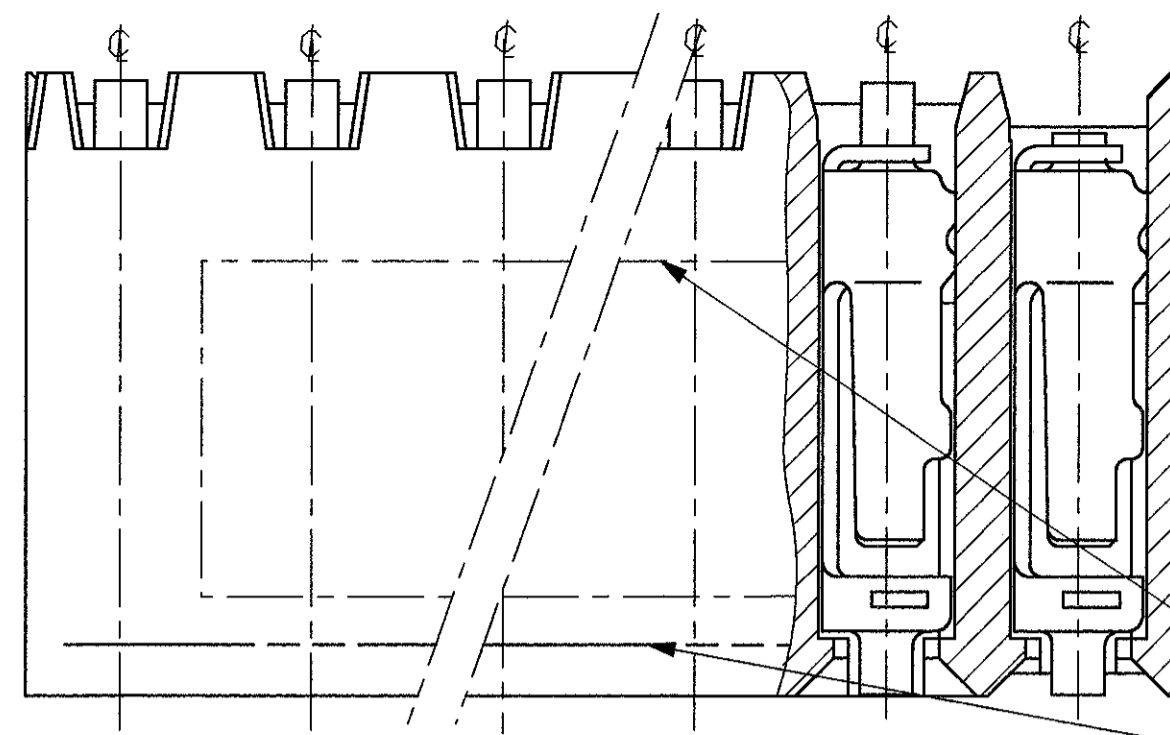
3 PLATING, UNDERCOATING, 1,3µm Ni
AT CONT. PLACE, 0,8µm Au
AT SOLDER-TINES, 2,5µm SnPb

4 MATES WITH 0,63 SQUARE/ROUND MODU POSTS.

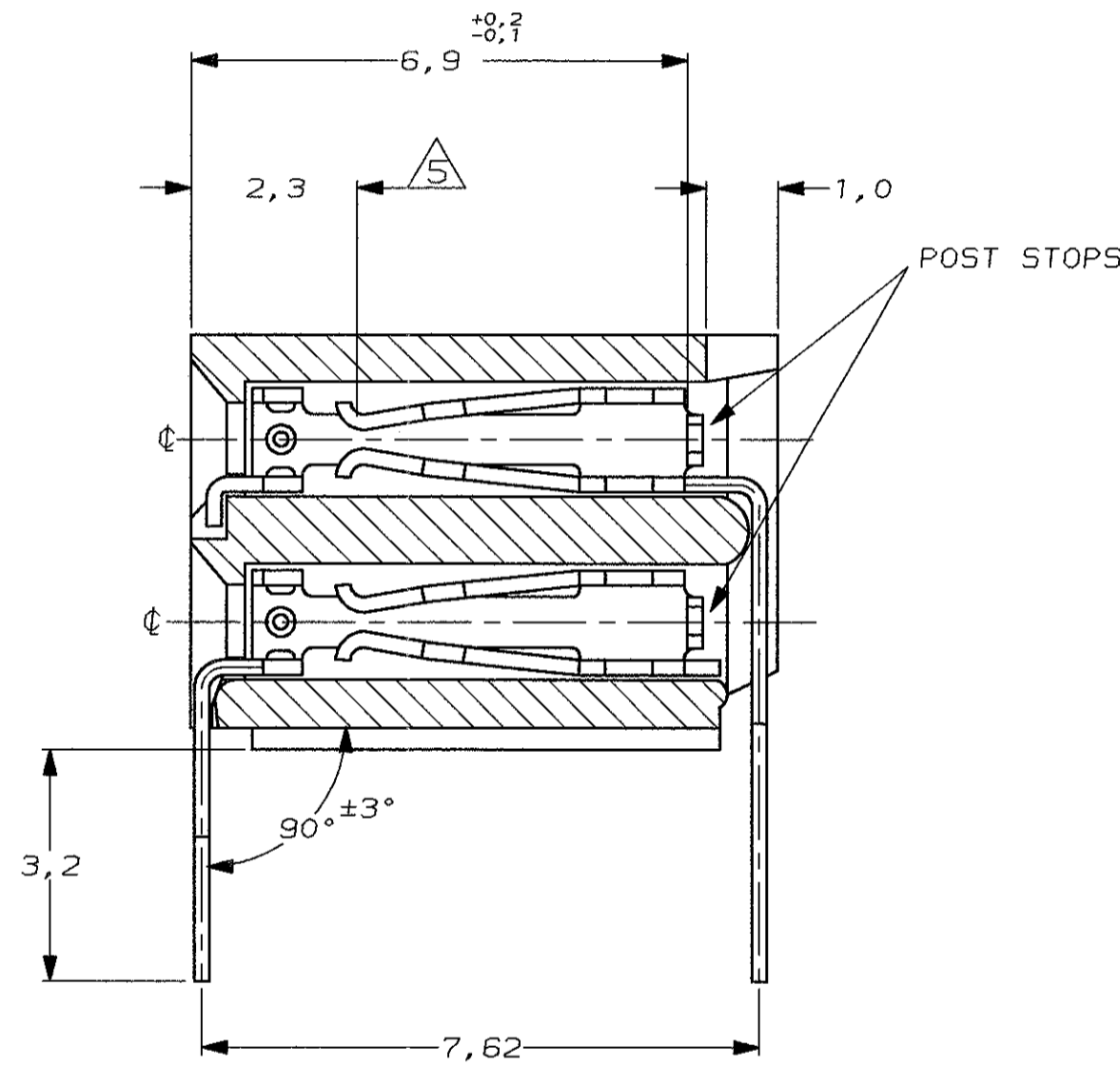
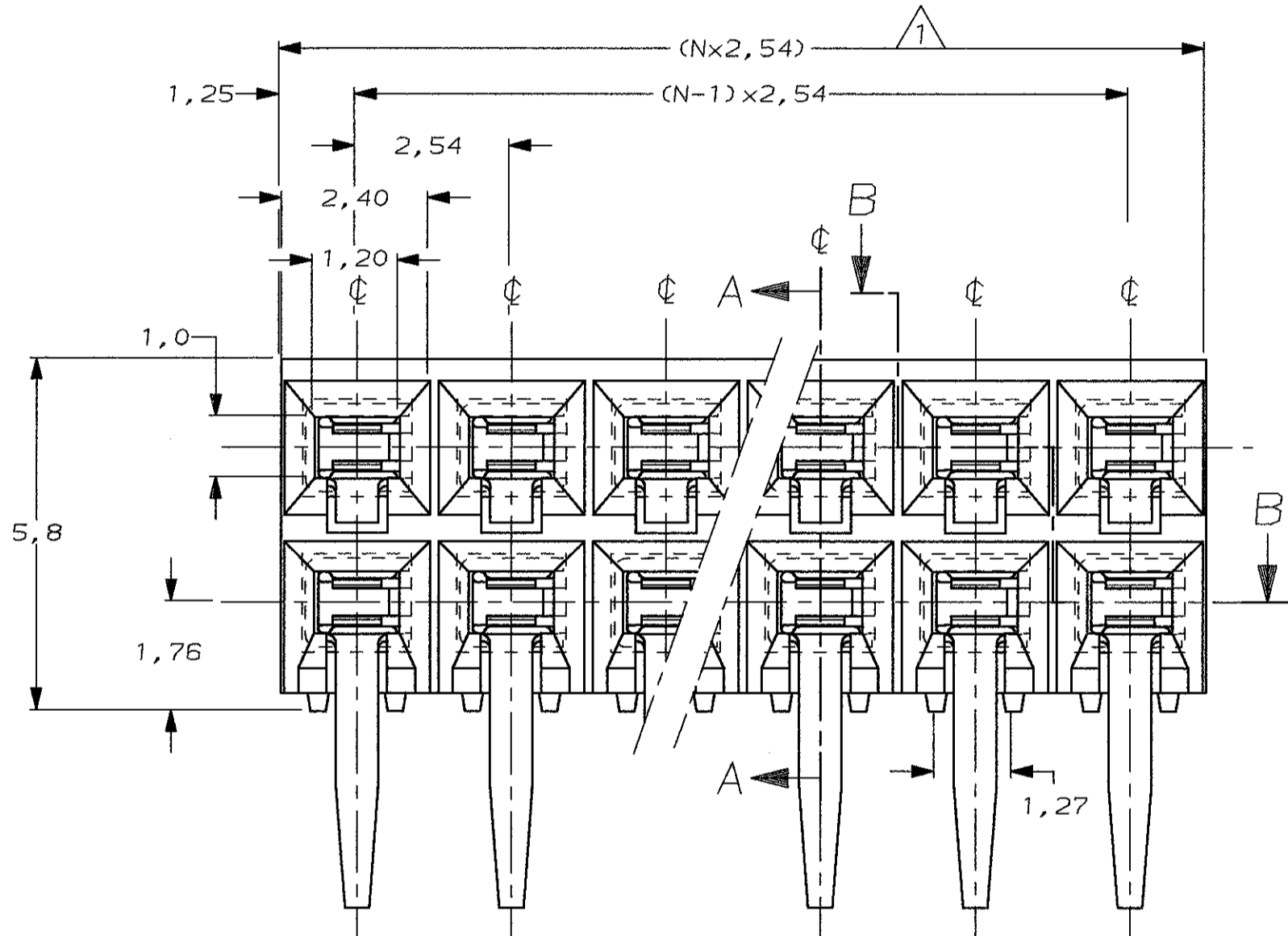
5 CONTACT-POINT.

6 RECOMMENDED P.C.BOARD-THICKNESS, 1,6mm.

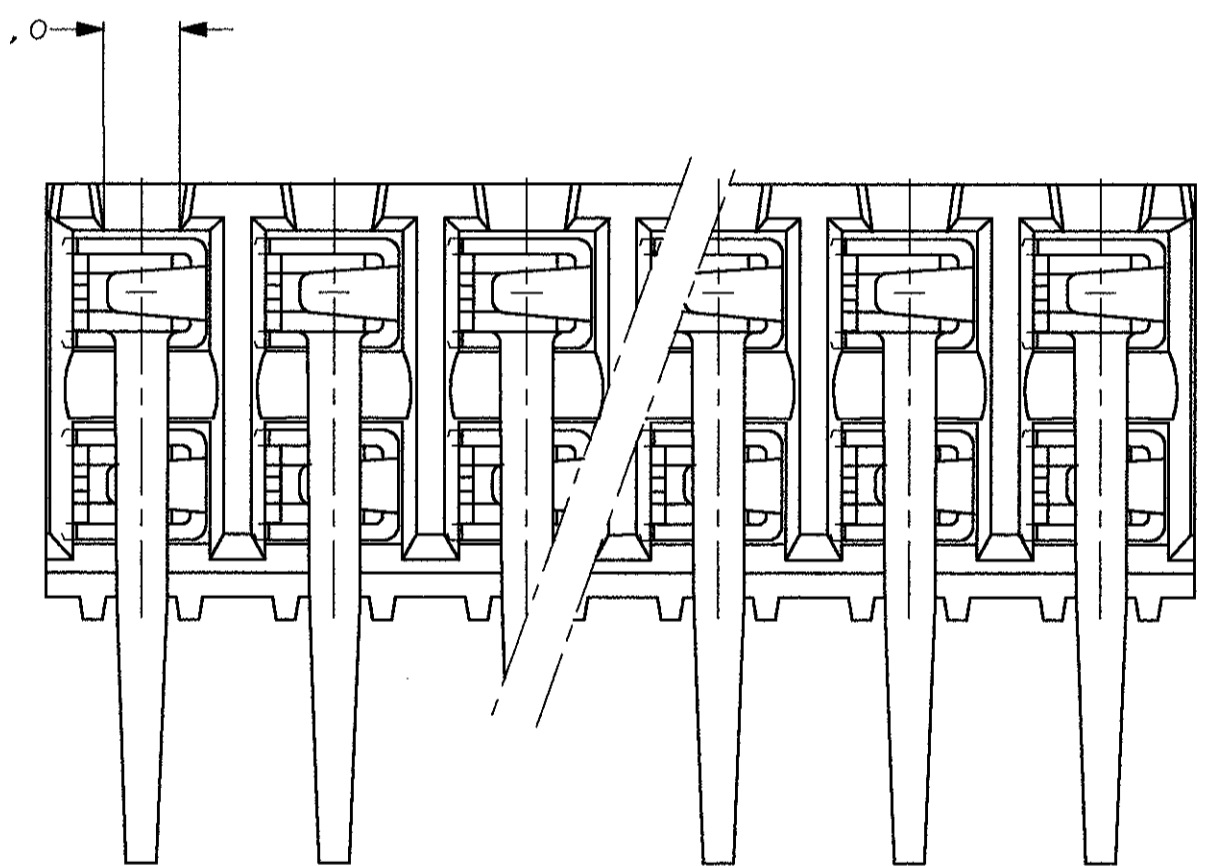
7 PRINTED: BASIC PARTNUMBER, THE WORD "AMP", PRODUCTION DATE
AND A DASHED LINE OVER THE LENGTH OF HOUSING TO
INDICATE CONTACT MATING SIDE.



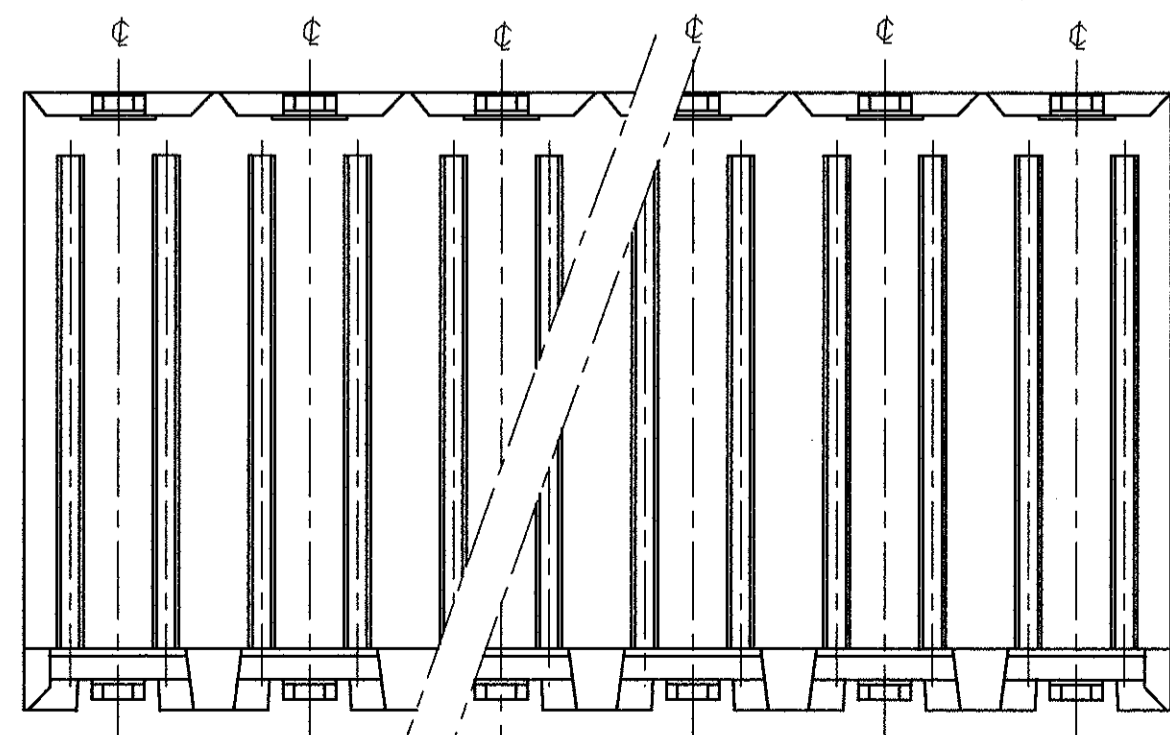
SECTION B-B/TOP VIEW



SECTION A-A

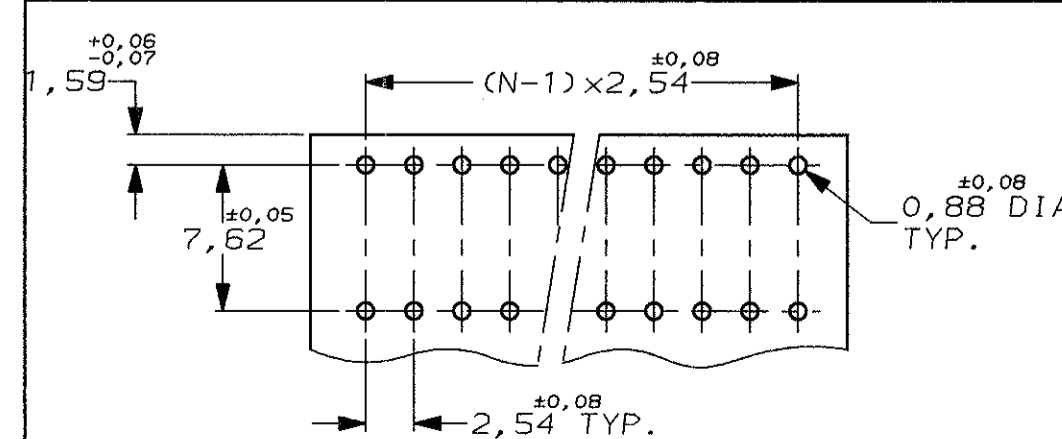


REAR VIEW



BOTTOM VIEW

RECOMMENDED P.C.BOARD-HOLE LAYOUT



		FINISH		MATERIAL		PARTNUMBER	
		-	-	-	-	CUSTOMER DRAWING FOR REFERENCE ONLY WILL NOT BE UPDATED	
		-	-	-	-	© COPYRIGHT 1991 BY AMP HOLLAND B.V. ALL INTERNATIONAL RIGHTS RESERVED. AMP PRODUCTS MAY BE COVERED BY U.S. AND FOREIGN AND/OR PATENTS PENDING.	
		-	-	-	-	THIS DRAWING IS UNPUBLISHED RELEASED FOR PUBLICATION DEC, 1991	
H	EH-0467-97	JvL	RB	06-05-97	AMP HOLLAND B.V. 's-Hertogenbosch, The Netherlands.		
G	EH-1294-96	RDB	RDB	07 NOV 96	NAME HV 190 HOR. ASS'Y DUAL ROW GOLD VERSION (MAX. 2X65 POSITIONS)		
F	H-8257	LvdH	WRA	17 APR '92			
E	ECN H9408	WRA	WRA	19-12-91			
LTR.	REVISION RECORD	DR.	CHK.	DATE			
DR.:	W.R. ANNOKKEE	CHK.:	R. de Bliock	APP.:	R. SMEETS	DWG. No.	REV. LTR.
DATE:	19-12-91	DATE:	07 NOV 95	DATE:	-	C-216604	H
							SHEET 1 OF 1