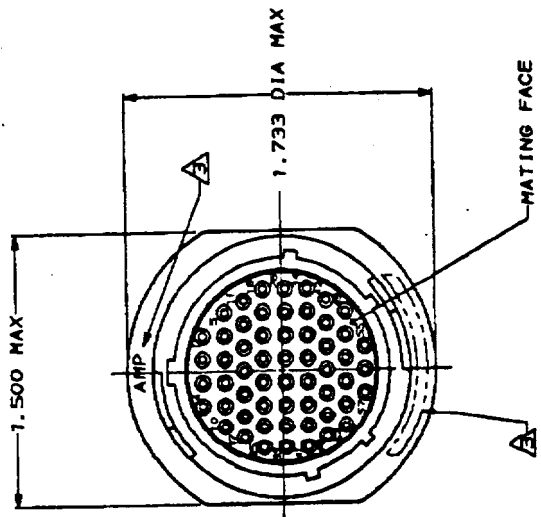
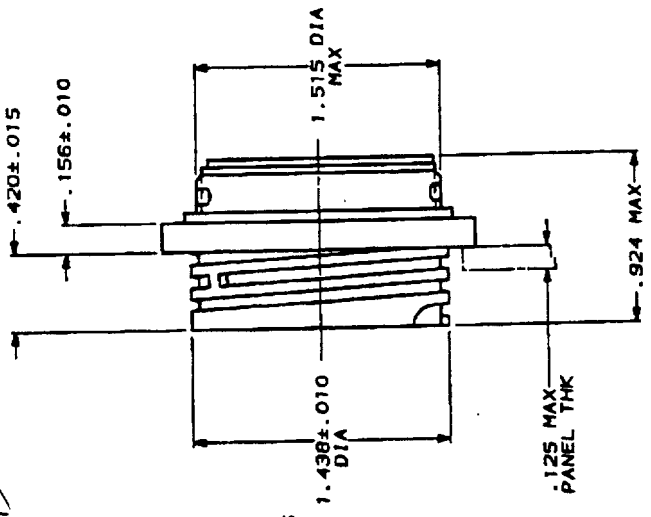
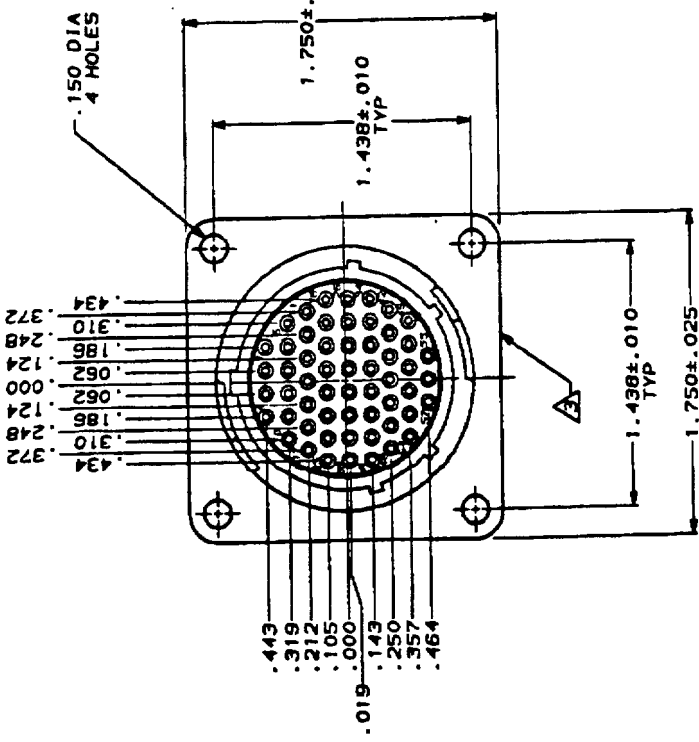


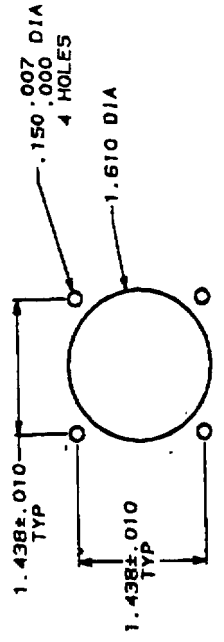
DRAWING MADE IN THIRD ANGLE PROJECTION  
 THIS DRAWING IS UNPUBLISHED.  
 BY AMP INCORPORATED. ALL DIMENSIONS UNLESS OTHERWISE SPECIFIED ARE IN INCHES.  
 © AMP INCORPORATED 1988

593 175  
 593 140

REV	DATE	DESCRIPTION
23	BD 35	RE DRAIN



FREE HANGING  
 (1-2 ONLY)



PANEL CUTOUT  
 SCALE 1:1

- CONTACT CAVITIES IDENTIFIED BY CHARACTERS ON FRONT AND REAR FACES OF CONNECTOR.
- WILL ACCEPT (57) SIZE 20 SOCKET CONTACTS.
- AMP AND PART NUMBER THIS AREA.
- #4 FASTENER RECOMMENDED FOR MOUNTING.

206438-2	PART NUMBER
206438-1	

DO NOT SCALE PRINT. DIMENSIONS ARE IN INCHES UNLESS OTHERWISE SPECIFIED TOLERANCES ON: 3 PLC DEC ± .005 5 PLC DEC ± .006 ANGLES MINIMAL	OR 4341 A. STANG 80 CRK 7-27-80 M. B. LEMER APPD 7-27-80 L. BEAVER APPD 7-27-80 C. RHOZE PRODUCT SPEC 108-10024 APPLICATION SPEC	AMP Incorporated Harrisburg, PA 17105-3000
THERMOPLASTIC, BLACK	RECEPTACLE ASSEMBLY, REV SEX, SERIES 2, 23-57, CPC	
FINISH	CAGE CODE 00779	DRAWING NO. 206438
	SCALE 2:1	SHEET 1 OF 1

CUSTOMER DRAWING