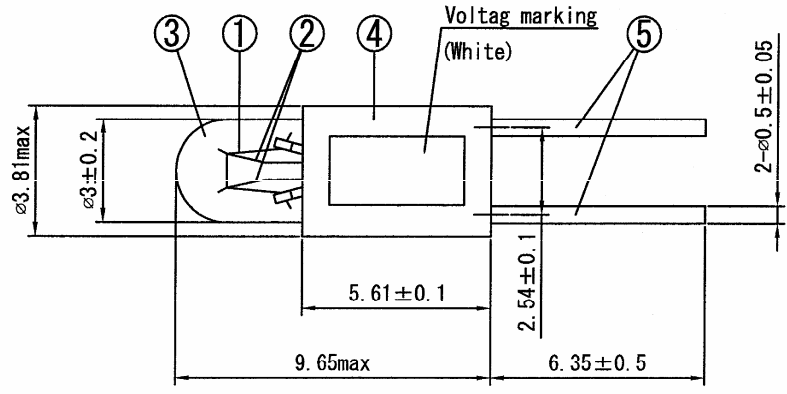


SPECIFICATION	T-1 BP RM2.54 GP	FL-13-2021	1 / 2
---------------	------------------	------------	-------

1. Dimensions

Do not measure the drawings.



3. Materials

	Name of Parts	Material
1	Filament	Tungsten
2	Filament support	Molybdenum
3	Bulb envelope	Glass
4	Base	T-1 BPRM Base (Color: Black)
5	Pin	Ni-pin (gold-plated)

4. Notes

- 1) The values shown above are the characteristics of the lamp itself.
- 2) All lamps shall function between the temperature of -40deg. c. and +85deg. c.
- 3) Test to confirm life hours is conducted at 130% over-voltage (AC) for at the temperature between 23 deg. c. and 25 deg. c. on the condition of free from vibration. Cofficient:30.3 times.
- 4) Conditions of vibration test are:Design voltage DC, acceleration 4.5G, frequency 33Hz, amplitude 2mm, and directions X:4 Hours,Y:2 Hours, and Z:2 Hours.
- 5) Constituent materials of this lamps are free from cadmium.

Date Issued:
27th Nov. 2004

Issued by T. Ishimaru



Dimensions: in mm

Scale : 5/1

