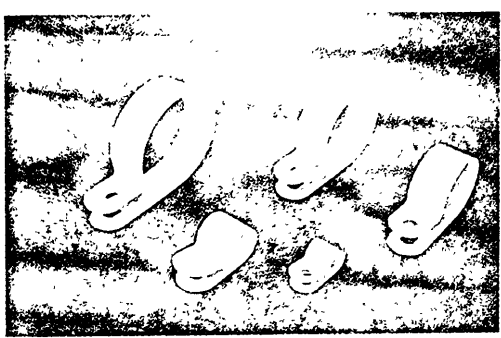
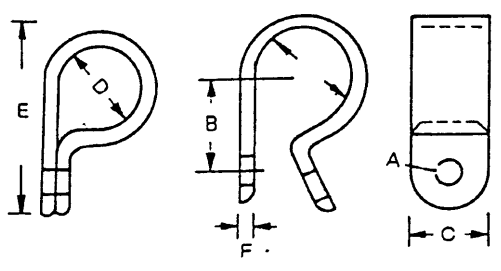


## 0501 CABLE CLAMP



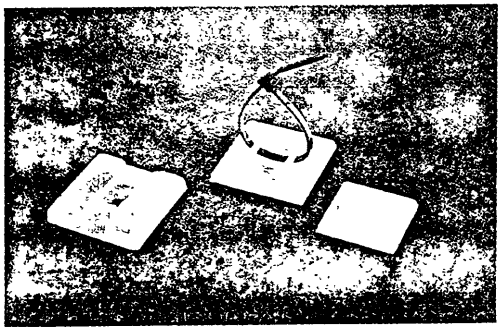
- Material: UL approved NYLON 66, 94V-2
- KSS CABLE CLAMPS are designed to hold cables, tubes, and components in domestic appliance, electronics and electric apparatus generally.
- Interior edges are radiused to protect cable insulation.
- To apply, just clamp down on loosen cables and screw it to chassis.
- Black color available

Unit: mm



Item No.	A	B	C	D	E	F	Packing
UC-0	4.6	9.5	9.6	3.2(1/8")	19.8	1.4	434-097
UC-0.5	4.6	10.5	9.6	4.8(3/16")	19.8	1.4	103
UC-1	4.6	12.0	10.0	6.35(1/4")	22.0	1.4	115
UC-1.5	4.6	12.0	10.0	7.9(5/16")	22.0	1.5	127
UC-2	4.6	15.2	12.0	9.5(3/8")	24.0	1.5	139
UC-3	4.6	12.5	12.0	12.7(1/2")	31.0	1.5	140
UC-4	4.6	18.2	12.0	15.8(5/8")	34.3	1.5	152
UC-5	4.6	18.2	12.0	19.4(3/4")	35.0	1.5	164
UC-6	4.6	22.0	12.0	25.4(1")	43.0	1.8	176
UC-6.5	4.6	24.0	12.0	27.5(1 1/16")	50.0	1.8	
UC-7	4.6	26.2	12.0	31.8(1 1/4")	46.2	1.8	
UC-9	4.6	30.0	12.0	36.7(1 1/2")	50.0	1.8	

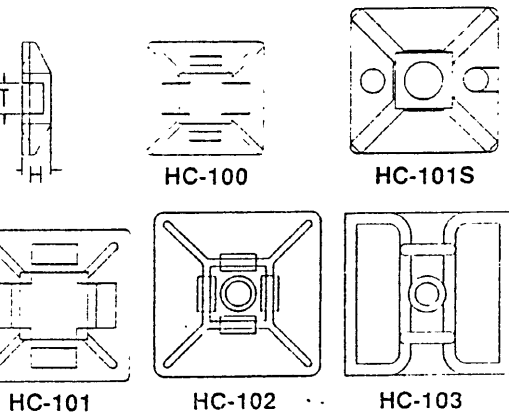
## 0505 SELF-ADHESIVE TIE MOUNTS



Backed with adhesive tape

- Material: UL approved NYLON 66, 94V-2 (Backed with adhesive tape)
- SELF-ADHESIVE TIE MOUNTS is designed to support light weight wire bundles when properly applied on any clean, smooth, grease-free surface. For heavy support, mounting hole is provided for screws.
- To apply, simply peel off backing paper and apply mount to surface. After that, cable ties can be inserted to secure wire bundles.
- Black color available

Unit: mm



Item No.	L	W	H Without Tape	Mounting Hole	T	Packing
★ HC-100	12.5	12.5	3.2	—	3.2	100 pcs
★ HC-101S	19	19	3.9	3.2	4.5	
HC-101	21	21	3.5	—	4.7	
HC-102	28	28	4	5.0	5.0	
HC-103	28	28	4	5.0	5.0	

★ New Sizes