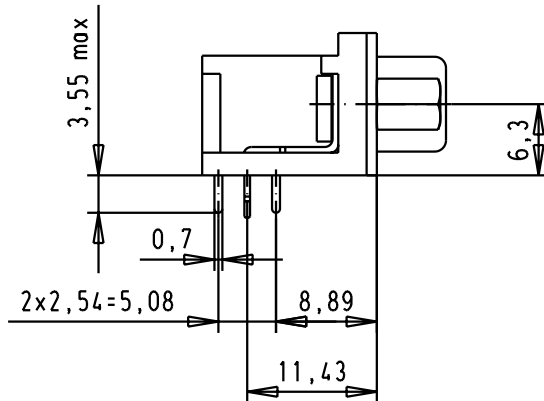
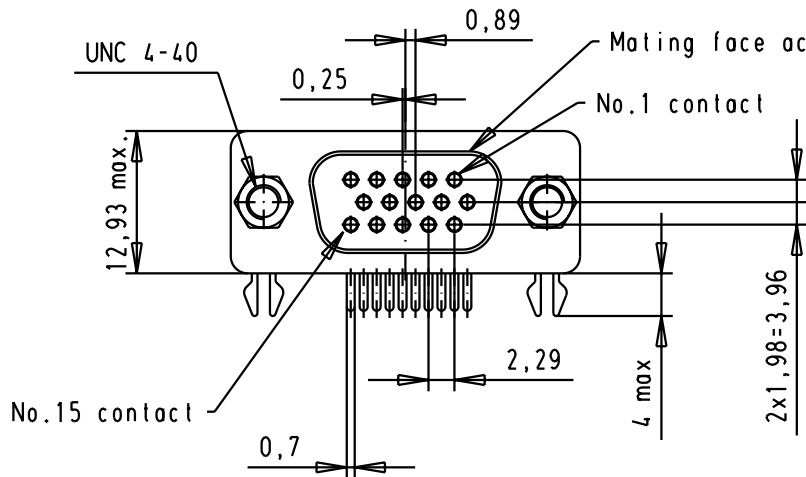
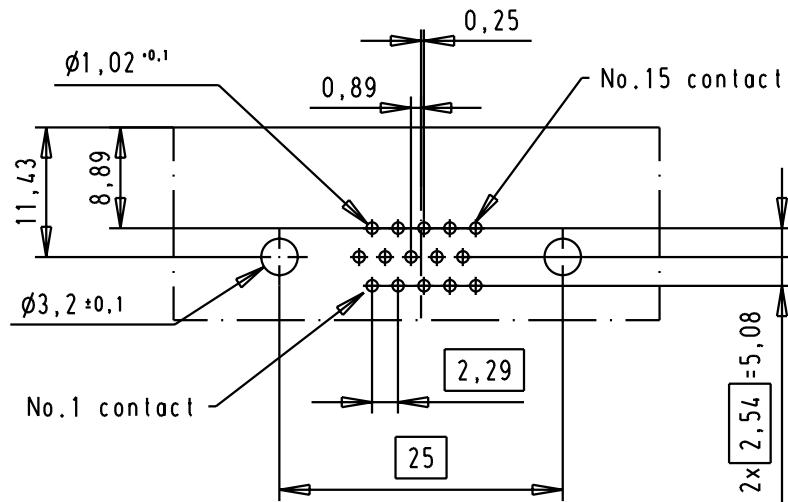
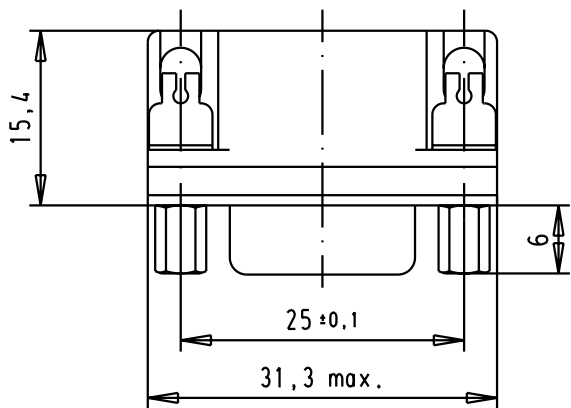
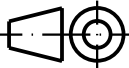



5 4 3 2 1



Printed board layout, component side



						Det.	Name	 All Dim. in mm Orig. Size DIN A 4	D-Sub, Female, High density 15 poles, angled, with screw lock and board lock	Maßstab/ Scale	
						Detail.	16-SEP-02			CV	1.5:1
						Insp.					
						Stand.					
						31485	16-04-03	S.H.	 TB 0956152x613 Sub.	Blatt/ Page 1 /	
09561525613	0.76 µm Au			31352	16-OCT-02	S.H.	HARTING EURL F-95972 Paris				
09561527613	3			31064	16-SEP-02	CV					
Part number	Performance level	Mod.	Del.	Name							