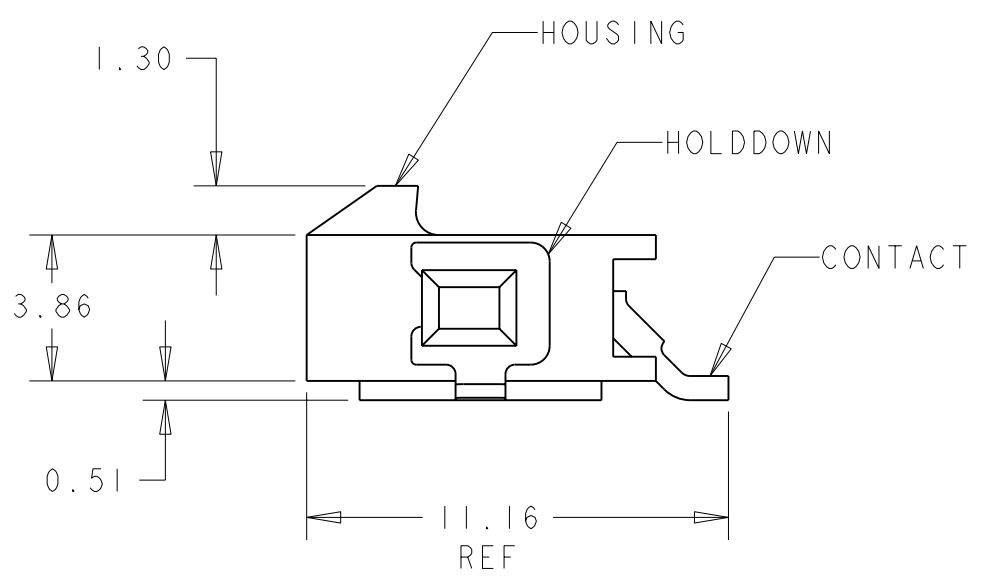
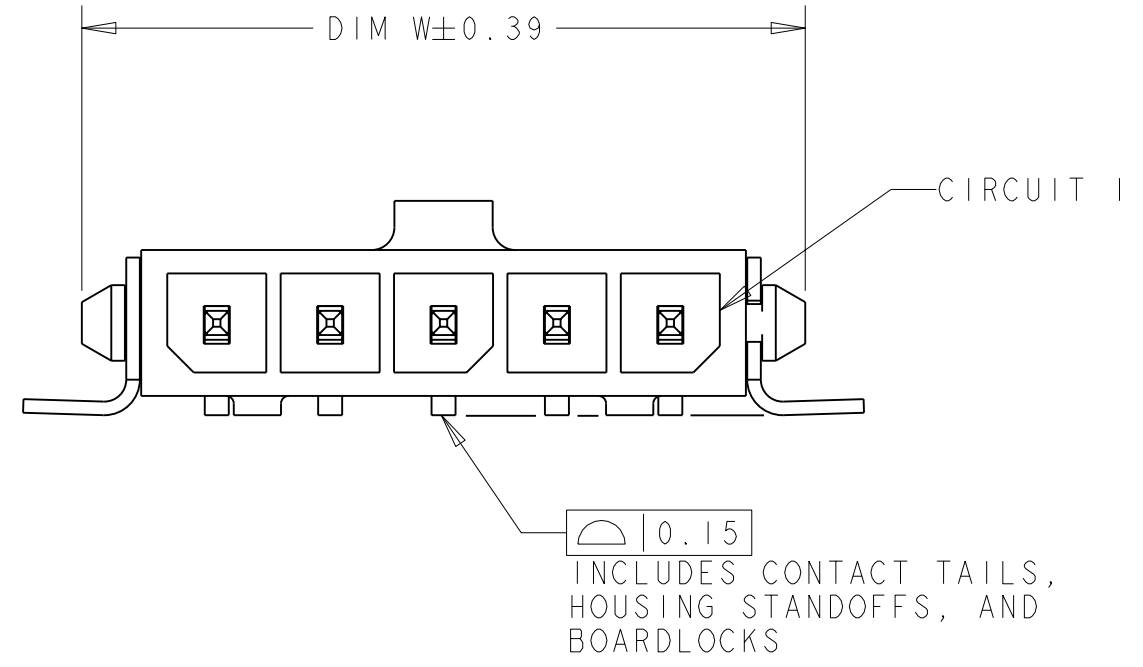
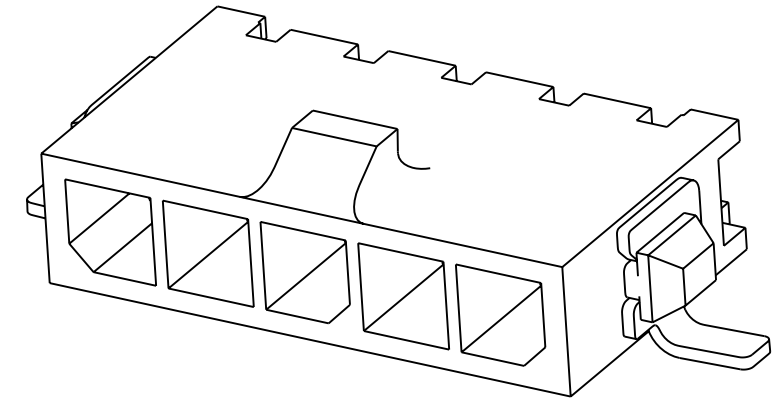
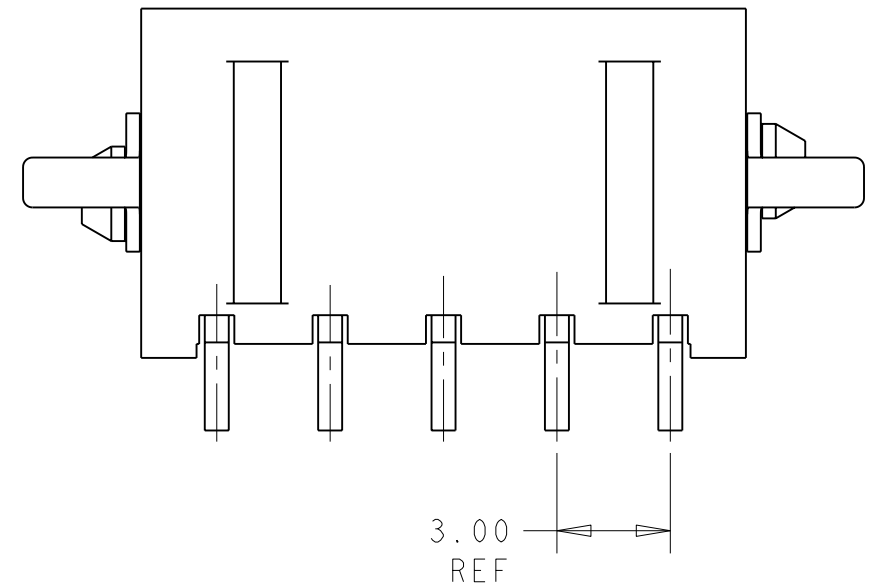


THIS DRAWING IS UNPUBLISHED. RELEASED FOR PUBLICATION .19  
 © COPYRIGHT 19 BY AMP INCORPORATED. ALL RIGHTS RESERVED.

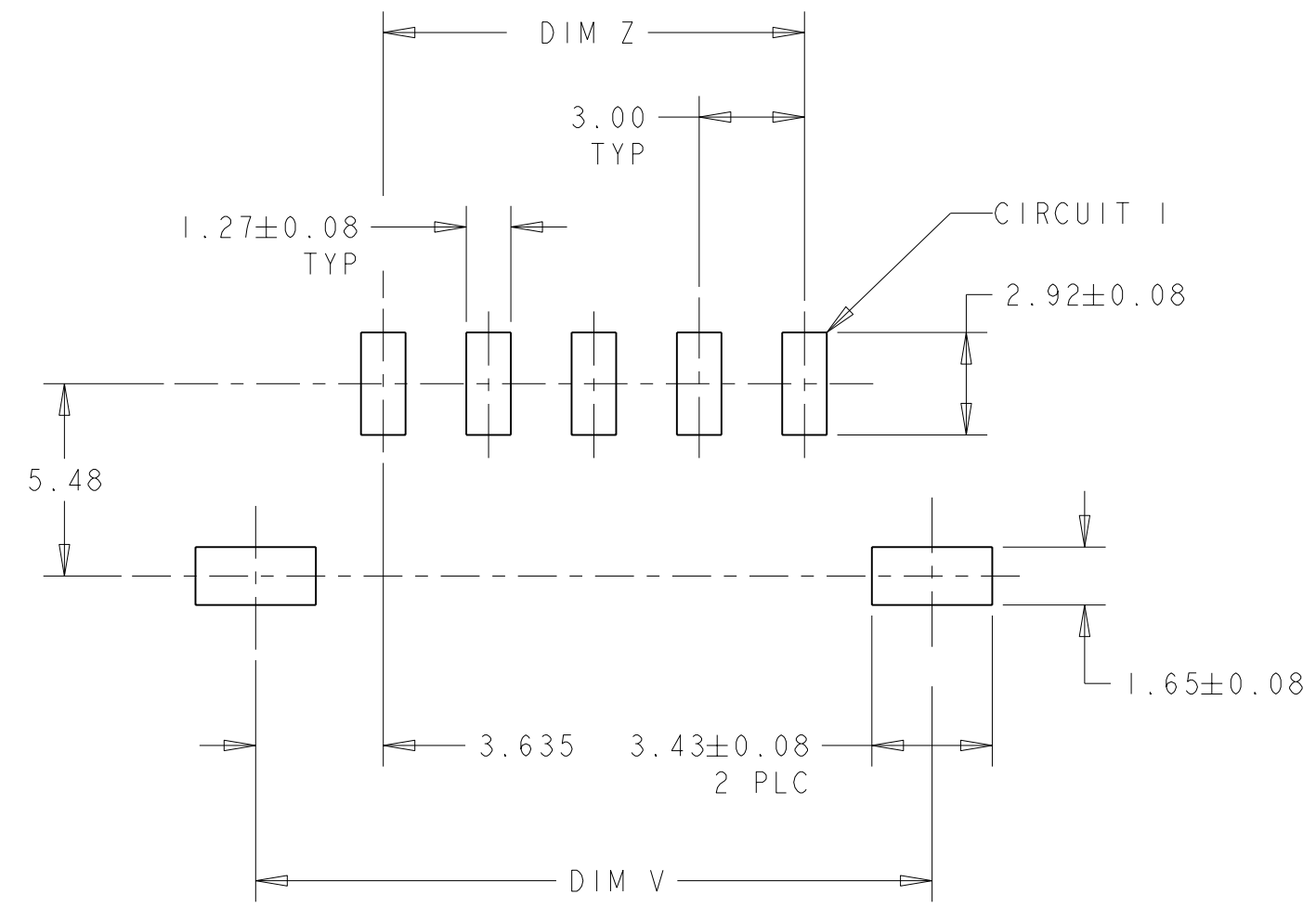
LOC		DIST		REVISIONS			
P	LTR	DESCRIPTION	DATE	DWN	APVD		
CM	00	C	REVISED PER 0G3B-1184-04	22APR05	KW	CJ	



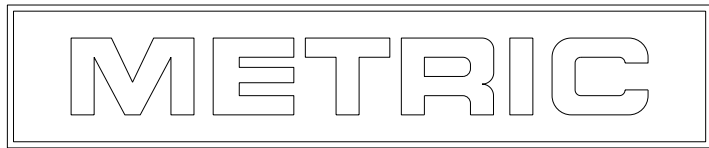
- 1 MATERIAL: CONTACTS - BRASS  
HOUSING - UL 94V-0 RATED HIGH TEMP NYLON, COLOR BLACK.  
HOLDDOWNS: - PHOSPHOR BRONZE.
- 2 PLATING: CONTACTS- 2.54µm MINIMUM TIN LEAD OVER 1.27µm MINIMUM NICKEL.  
HOLDDOWNS- 2.54µm MINIMUM TIN-LEAD OVER 1.27µm MINIMUM NICKEL.
- 4 RECOMMENDED PC BOARD THICKNESS OF 1.57.
- 5 PLATING: CONTACTS-2.54µm MINIMUM TIN OVER 1.27µm MINIMUM NICKEL.  
HOLDDOWNS- 2.54µm MINIMUM TIN OVER 1.27µm MINIMUM NICKEL.



FINISH	DIM Z	DIM V	DIM W	NO. OF POSN	PART NUMBER
5	33.00	40.41	40.00	12	3-1445057-2
5	30.00	37.41	37.00	11	3-1445057-1
5	27.00	34.41	34.00	10	3-1445057-0
5	24.00	31.41	31.00	9	2-1445057-9
5	21.00	28.41	28.00	8	2-1445057-8
5	18.00	25.41	25.00	7	2-1445057-7
5	15.00	22.41	22.00	6	2-1445057-6
5	12.00	19.41	19.00	5	2-1445057-5
5	9.00	16.41	16.00	4	2-1445057-4
5	6.00	13.41	13.00	3	2-1445057-3
5	3.00	10.41	10.00	2	2-1445057-2
2	33.00	40.41	40.00	12	1-1445057-2
2	30.00	37.41	37.00	11	1-1445057-1
2	27.00	34.41	34.00	10	1-1445057-0
2	24.00	31.41	31.00	9	1445057-9
2	21.00	28.41	28.00	8	1445057-8
2	18.00	25.41	25.00	7	1445057-7
2	15.00	22.41	22.00	6	1445057-6
2	12.00	19.41	19.00	5	1445057-5
2	9.00	16.41	16.00	4	1445057-4
2	6.00	13.41	13.00	3	1445057-3
2	3.00	10.41	10.00	2	1445057-2



PCB LAYOUT COMPONENT SIDE 4



THIS DRAWING IS A CONTROLLED DOCUMENT FOR AMP INCORPORATED. IT IS SUBJECT TO CHANGE AND THE CONTROLLING ENGINEERING ORGANIZATION SHOULD BE CONTACTED FOR THE LATEST REVISION.

DWN J. ROOT 03-OCT-2000  
 CHR K. WHITAKER 13-MAR-2001  
 APVD K. WHITAKER 13-MAR-2001

**AMP** Tyco Electronics  
 Harrisburg, PA 17105-3608

NAME RT ANGLE SURFACE MOUNT HEADER ASSY, TIN CONTACTS W/SURF MOUNT HOLDDOWNS, SINGLE ROW, MICRO MATE-N-LOK™

SIZE A2 CAGE CODE 00779 DRAWING NO. C=1445057

MATERIAL - FINISH 1 SEE TABLE WEIGHT -

CUSTOMER DRAWING SCALE 5:1 SHEET 1 OF 1 REV C