



00-9162-006-206-175

PREFIX \_\_\_\_\_

SERIES \_\_\_\_\_

NUMBER OF CONTACTS \_\_\_\_\_

SIM TYPE \_\_\_\_\_

CODE	SIM TYPE
20	STANDARD SMT FOOT SLIDE IN SIM READER
21	NARROW SMT FOOT SLIDE IN SIM READER

PLATING OPTIONS \_\_\_\_\_

CODE	CONTACT PLATING
6	SELECTIVE GOLD, PURE TIN TAILS

CONNECTOR HEIGHT \_\_\_\_\_

CODE	CONNECTOR HEIGHT	SHEET NUMBER
175	1.750mm	SHEET 2, 3

ELCO EUROPE (A DIVISION OF AVX LTD.) CONFIDENTIAL PROPRIETARY  
 THE DRAWING ON THIS PRINT AND INFORMATION THEREWITH ARE  
 PROPRIETARY TO ELCO EUROPE (A DIVISION OF AVX LTD.) AND  
 SHALL NOT BE USED OR DISCUSSED IN WHOLE OR IN PART  
 WITHOUT ELCO EUROPE'S WRITTEN CONSENT.

ELCO EUROPE (A DIVISION OF AVX LTD.) CONFIDENTIAL PROPRIETARY  
 THE DRAWING ON THIS PRINT AND INFORMATION THEREWITH ARE  
 PROPRIETARY TO ELCO EUROPE (A DIVISION OF AVX LTD.) AND  
 SHALL NOT BE USED OR DISCUSSED IN WHOLE OR IN PART  
 WITHOUT ELCO EUROPE'S WRITTEN CONSENT.

Release No.  
 History  
 I01673  
 I01733  
 I01745  
 I01759  
 I01831  
 I02071  
 I02211  
 I02280



© COPYRIGHT ELCO EUROPE  
 NOT TO BE DISCLOSED OR COPIED  
 WITHOUT WRITTEN PERMISSION

Drawn  
**DMCI**  
 Size  
**CV**

Description  
 ORDERING CODE - SLIDE IN SIM READER

Part Number  
 00-9162-01-200S SHEET 1 OF 3

DATE  
 15-Oct-04  
 Issue  
**14**

FORM-106-01-056-6 ISS 7

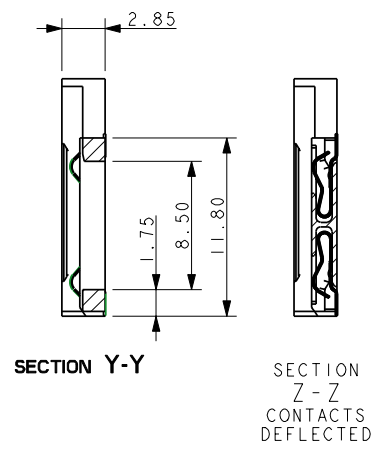
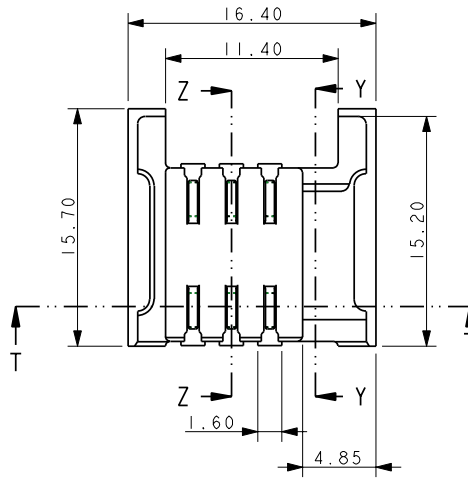
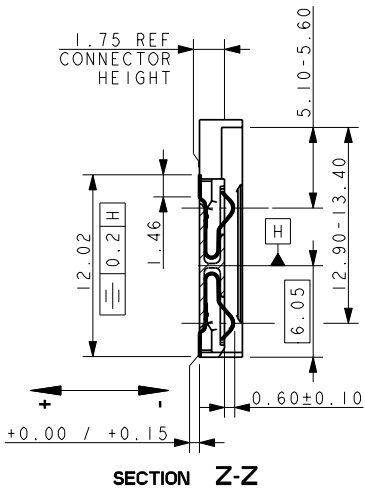
A

I

B

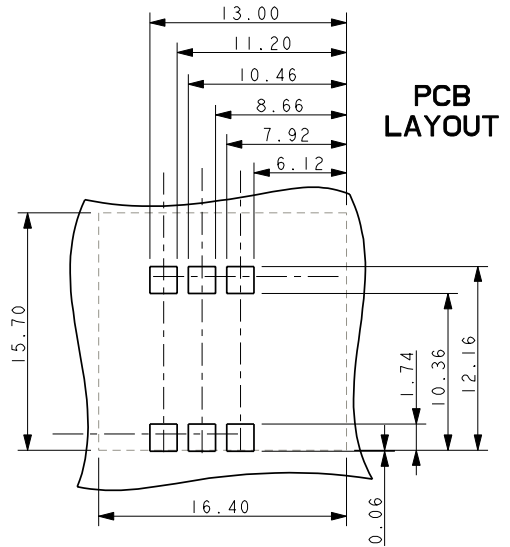
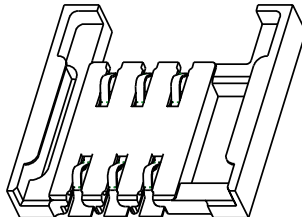
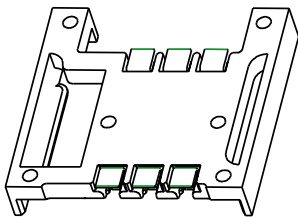
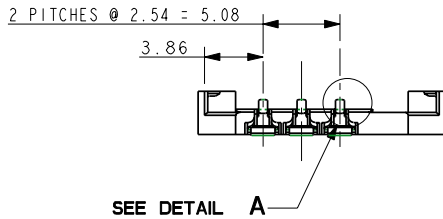
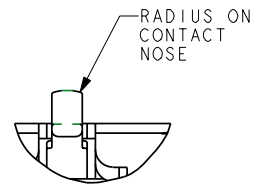
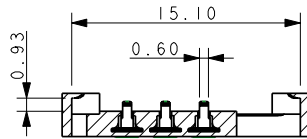
# NARROW SMT FOOT VERSION

ELCO EUROPE (A DIVISION OF AVX LTD.) CONFIDENTIAL PROPRIETARY  
 THE DRAWING ON THIS PRINT AND INFORMATION THEREWITH ARE  
 PROPRIETARY TO ELCO EUROPE (A DIVISION OF AVX LTD.) AND  
 SHALL NOT BE USED OR DISCUSSED IN WHOLE OR IN PART  
 WITHOUT ELCO EUROPE'S WRITTEN CONSENT.



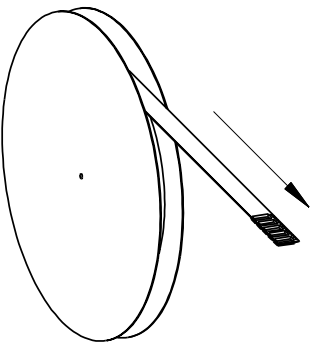
CONTACT TAILS  
 WITHIN 0.10mm  
 COPLANARITY  
 TOLERANCE  
 SINGLE ROW

**PART SECTION Z-Z  
 ROTATED THRU 90°**



**NOTES**

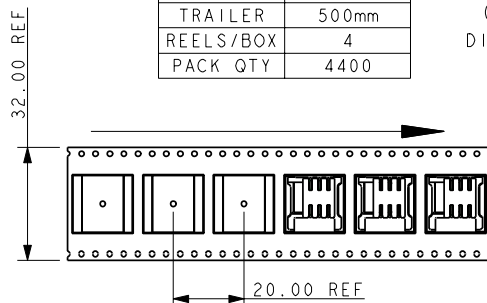
1. SALES DRAWING FOR SLIDE IN SIM READER.
2. FOR PRODUCT SPECIFICATION REFER TO ELCO SPEC: 201-01-085.
3. GENERAL TOLERANCE  $\pm 0.20$  (UNLESS OTHERWISE STATED).
4. INSULATOR MATERIAL NYLON GLASS-FILLED.
5. CONTACT MATERIAL COPPER ALLOY, SIM CONTACTS NOSE PLATED WITH GOLD. SMT PADS PLATED WITH TIN/LEAD.



PACKING DETAILS	
REEL QTY	1100
LEADER	500mm
TRAILER	500mm
REELS/BOX	4
PACK QTY	4400

**PACKING DETAILS**

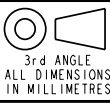
REEL SIZE 380mm DIA.  
 (SHOWING USER DIRECTION OF FEED)



ELCO EUROPE (A DIVISION OF AVX LTD.) CONFIDENTIAL PROPRIETARY  
 THE DRAWING ON THIS PRINT AND INFORMATION THEREWITH ARE  
 PROPRIETARY TO ELCO EUROPE (A DIVISION OF AVX LTD.) AND  
 SHALL NOT BE USED OR DISCUSSED IN WHOLE OR IN PART  
 WITHOUT ELCO EUROPE'S WRITTEN CONSENT.



Release No.	
History	
101673	
101733	
101745	
101759	
101831	
102071	
102211	
102280	



**ELCO**  
 © COPYRIGHT ELCO EUROPE  
 NOT TO BE DISCLOSED OR COPIED  
 WITHOUT WRITTEN PERMISSION

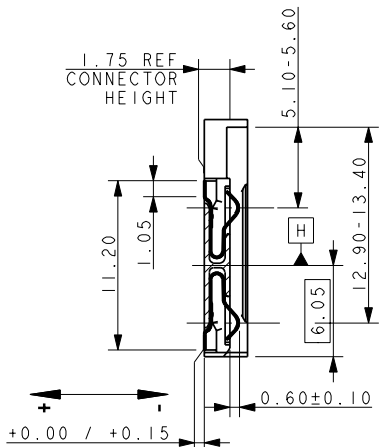
Drawn  
 DMC1

Size  
 CV

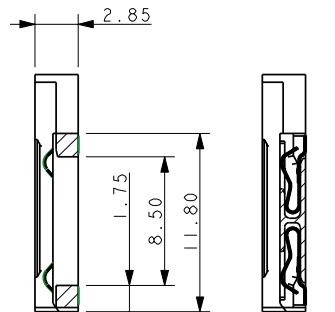
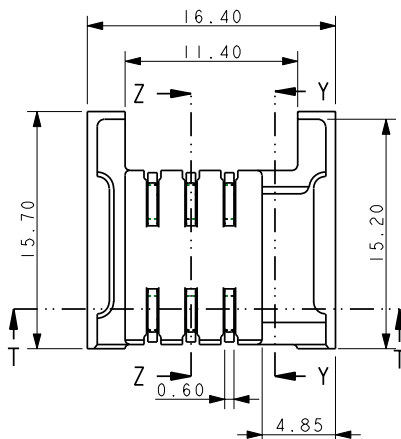
Description	SLIDE IN SIM READER	DATE	15-Oct-04
Part Number	00-9162-01-200S	Issue	14
SHEET 2 OF 3			

ELCO EUROPE (A DIVISION OF AVX LTD.) CONFIDENTIAL PROPRIETARY  
 THE DRAWING ON THIS PRINT AND INFORMATION THEREWITH ARE  
 PROPRIETARY TO ELCO EUROPE (A DIVISION OF AVX LTD.) AND  
 SHALL NOT BE USED OR DISCLOSED IN WHOLE OR IN PART  
 WITHOUT ELCO EUROPE'S WRITTEN CONSENT.

# WIDE SMT FOOT VERSION

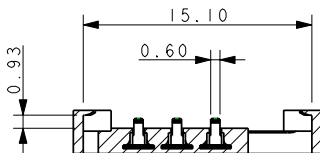


SECTION Z-Z

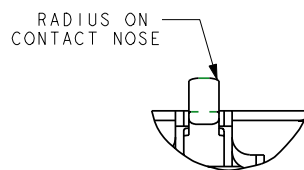


SECTION Y-Y

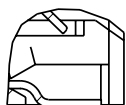
SECTION Z-Z CONTACTS DEFLECTED



SECTION T-T

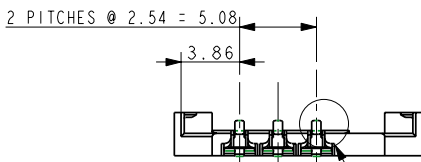


DETAIL A

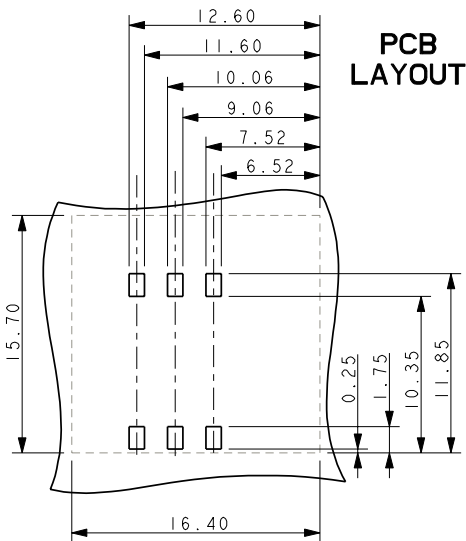
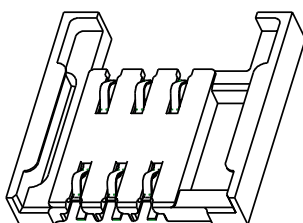
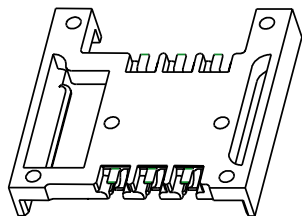


CONTACT TAILS WITHIN 0.10mm COPLANARITY TOLERANCE SINGLE ROW

PART SECTION Z-Z ROTATED THRU 90°

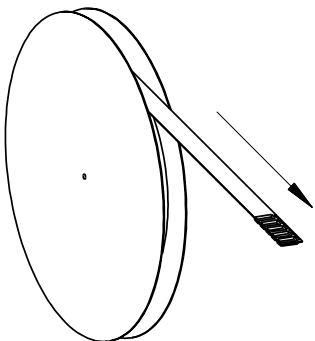


SEE DETAIL A



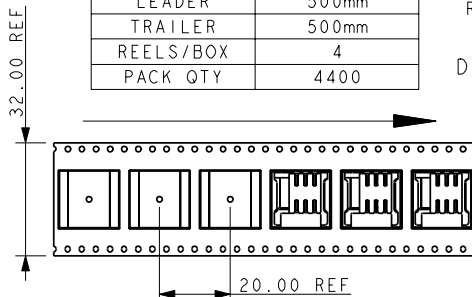
PCB LAYOUT

- NOTES
1. SALES DRAWING FOR SLIDE IN SIM READER.
  2. FOR PRODUCT SPECIFICATION REFER TO ELCO SPEC: 201-01-085.
  3. GENERAL TOLERANCE  $\pm 0.20$  (UNLESS OTHERWISE STATED).
  4. INSULATOR MATERIAL NYLON GLASS-FILLED.
  5. CONTACT MATERIAL COPPER ALLOY, SIM CONTACTS NOSE PLATED WITH GOLD, SMT PADS PLATED WITH TIN/LEAD.



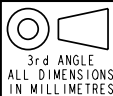
PACKING DETAILS	
REEL QTY	1100
LEADER	500mm
TRAILER	500mm
REELS/BOX	4
PACK QTY	4400

PACKING DETAILS  
 REEL SIZE 380mm DIA.  
 (SHOWING USER DIRECTION OF FEED)



ELCO EUROPE (A DIVISION OF AVX LTD.) CONFIDENTIAL PROPRIETARY  
 THE DRAWING ON THIS PRINT AND INFORMATION THEREWITH ARE  
 PROPRIETARY TO ELCO EUROPE (A DIVISION OF AVX LTD.) AND  
 SHALL NOT BE USED OR DISCLOSED IN WHOLE OR IN PART  
 WITHOUT ELCO EUROPE'S WRITTEN CONSENT.

- Release No.  
 History
- 101673
  - 101733
  - 101745
  - 101759
  - 101831
  - 102071
  - 102211
  - 102280



**ELCO**  
 © COPYRIGHT ELCO EUROPE  
 NOT TO BE DISCLOSED OR COPIED  
 WITHOUT WRITTEN PERMISSION

Drawn DMC1  
 Size CV

Description  
 SLIDE IN SIM READER  
 Part Number  
 00-9162-01-200S

DATE  
 15-Oct-04  
 Issue  
 14



FORM-106-01-056-6 ISS. 7