

Thermofit[®] Molded Parts Specification Control Drawing

Part Number : 214A011 thru 052
Description : Boot, Rectangular, Subminiature, Straight

NOTES

- All dimensions are in $\frac{\text{inches}}{[\text{millimeters}]}$; $\frac{\text{lbs}}{[\text{grams}]}$
- Dimensions appearing in table are as follows:
a - As Supplied
b - After Unrestricted Recovery
- Coating is optional. As supplied dimensions appearing in table are for uncoated parts. When coating is added, entry diameters will be reduced by .06 max.
- Molding parts are optional. When -00 modification number is specified molding parts will be located as shown.
- Weight shown in table of dimensions is based on polyolefin part.

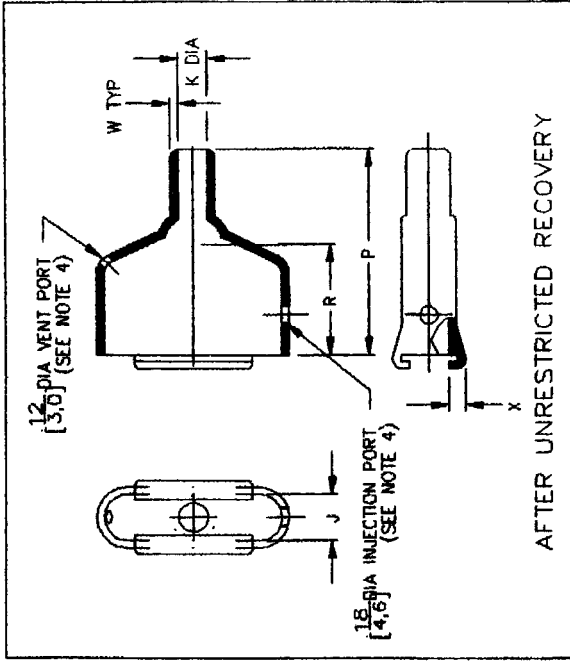
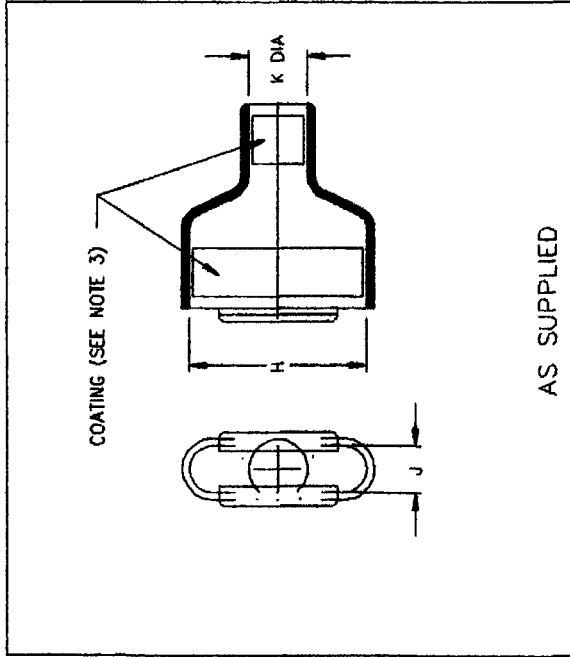


TABLE OF DIMENSIONS

PART NUMBER	H		J		K		P ±10%	R ±10%	W ±20%	X ±20%	Weight Nom b	This Boot Fits	
	Min a	Max b	Min a	Max b	Min a	Max b						Cannon/Cinch Series 17	Amphenol Series 17
214A011	.80 [20.3]	.80 [20.3]	.42 [10.7]	.42 [10.7]	.31 [7.9]	.16 [4.1]	1.31 [33.3]	.75 [19.1]	.04 [1.0]	.12 [3.0]	.0044 [2.0]	DE-9	XX09X
214A021	1.11 [28.2]	1.11 [28.2]	.42 [10.7]	.42 [10.7]	.40 [10.2]	.21 [5.3]	1.53 [38.9]	.87 [22.1]	.04 [1.0]	.12 [3.0]	.0057 [2.6]	DA-15	XX15X
214A032	1.66 [42.2]	1.66 [42.2]	.42 [10.7]	.42 [10.7]	.55 [14.0]	.32 [8.1]	1.77 [45.0]	1.00 [25.4]	.04 [1.0]	.12 [3.0]	.0088 [4.0]	DB-25	XX25X
214A042	2.31 [58.7]	2.31 [58.7]	.42 [10.7]	.42 [10.7]	.68 [17.3]	.34 [8.6]	2.10 [53.3]	1.12 [28.4]	.04 [1.0]	.12 [3.0]	.0148 [6.7]	DC-37	XX37X
214A052	2.28 [57.9]	2.28 [57.9]	.54 [13.7]	.54 [13.7]	.75 [19.1]	.42 [10.7]	2.40 [61.0]	1.25 [31.8]	.04 [1.0]	.12 [3.0]	.0159 [7.2]	DD-50	XX50X

Revision : N
Date : 9/15/99
Part Number : 214A011 thru 052
Description : Boot, Rectangular, Subminiature, Straight

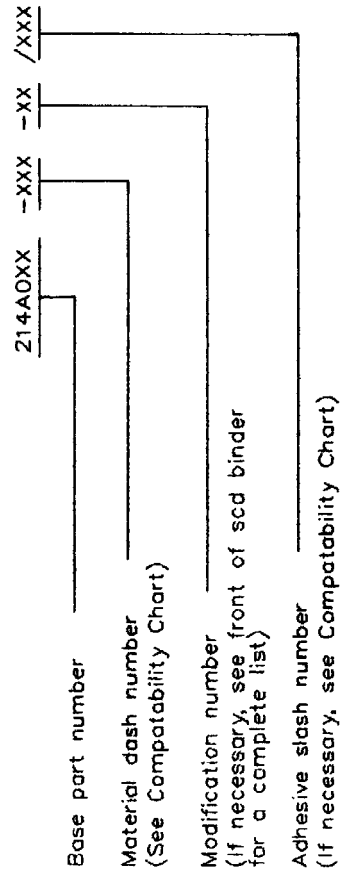
Part Number : 214A011 thru 052
 Description : Boot, Rectangular,
 Subminiature, Straight

Specification Control Drawing

COMPATIBILITY CHART					
MATERIAL DASH NO.	MATERIAL DESCRIPTION	RT SPEC	COATING SLASH NO.	COATING S. NO.	COATING DESCRIPTION
-3	Polyolefin, Semi-Rigid	RT-301	/42;/86	S-1017; S-1048	Adhesive
-4	Polyolefin, Flexible	RT-1304	/42;/86	S-1017; S-1048	Adhesive
-5	Elastomer, Flexible	RT-501	/42	S-1017	Adhesive
-6	Silicone	RT-602	N/A		
-8	Space Polyolefin	RT-1308	N/A		
-12	*VITON, Flexible	RT-1312	N/A		
-25	Elastomer, Fluid Resistant	RT-1325	/42,86		
-100	Polyolefin, Semi-flexible ZEROHAL TM	RT-1323	/180	S-1030	Adhesive

*VITON is a Registered Trademark of Dupont

ORDERING INFORMATION



THIS DRAWING IS SUBJECT TO CHANGE WITHOUT NOTICE; CONSULT YOUR
 NEAREST FIELD REPRESENTATIVE FOR CURRENT REVISION



RAYCHEM CORPORATION
 300 CONSTITUTION DRIVE
 MENLO PARK, CALIFORNIA 94025

Revision : N
 Date : 9/15/99
 Part Number : 214A011 thru 052
 Description : Boot, Rectangular,
 Subminiature, Straight
 CAD FILE MP99166