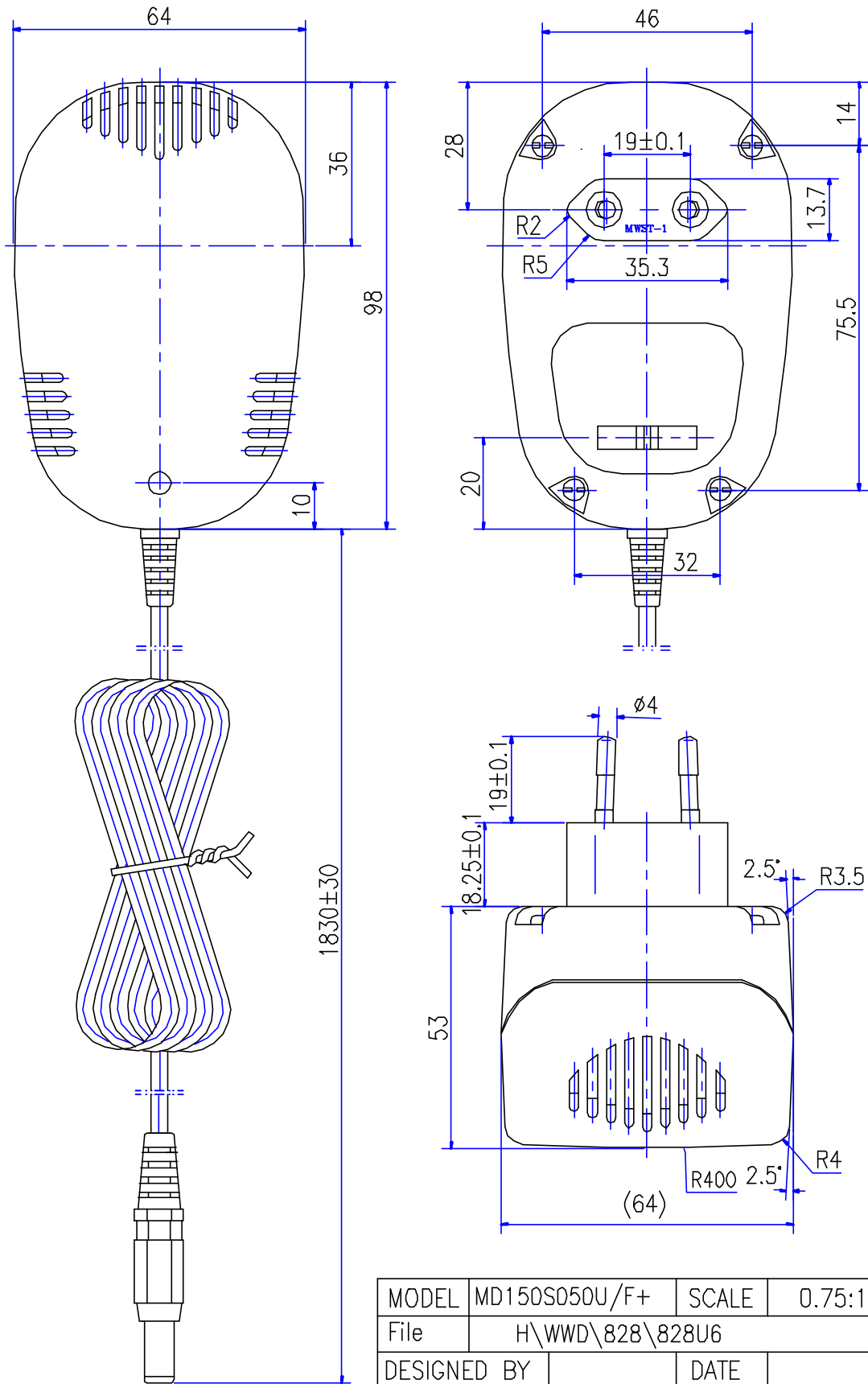


# CASE & CORD DIMENSION



MODEL	MD150S050U/F+	SCALE	0.75:1
File	H\WWD\828\828U6		
DESIGNED BY		DATE	
DRAWN BY		DATE	
CHECKED BY		DATE	