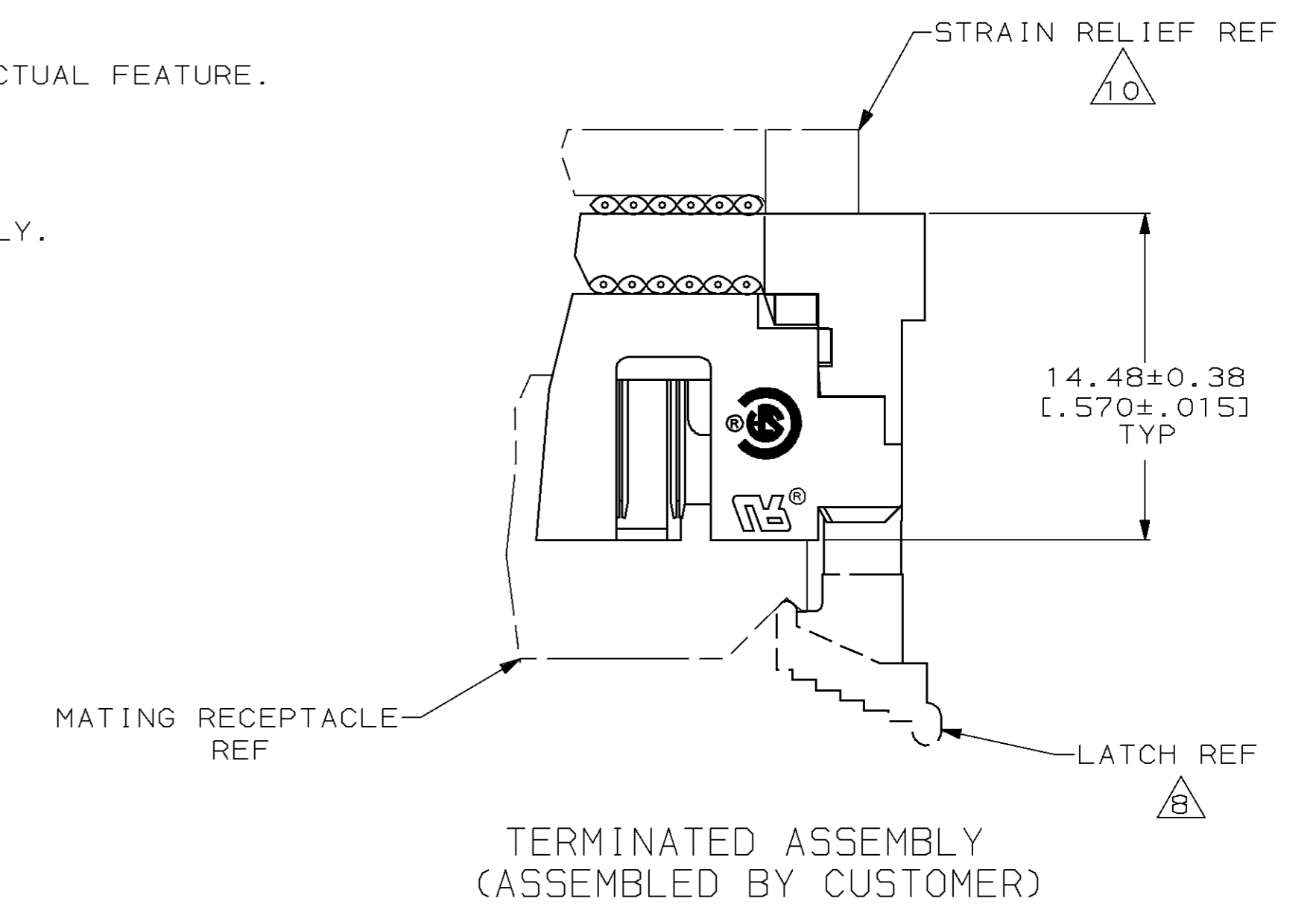
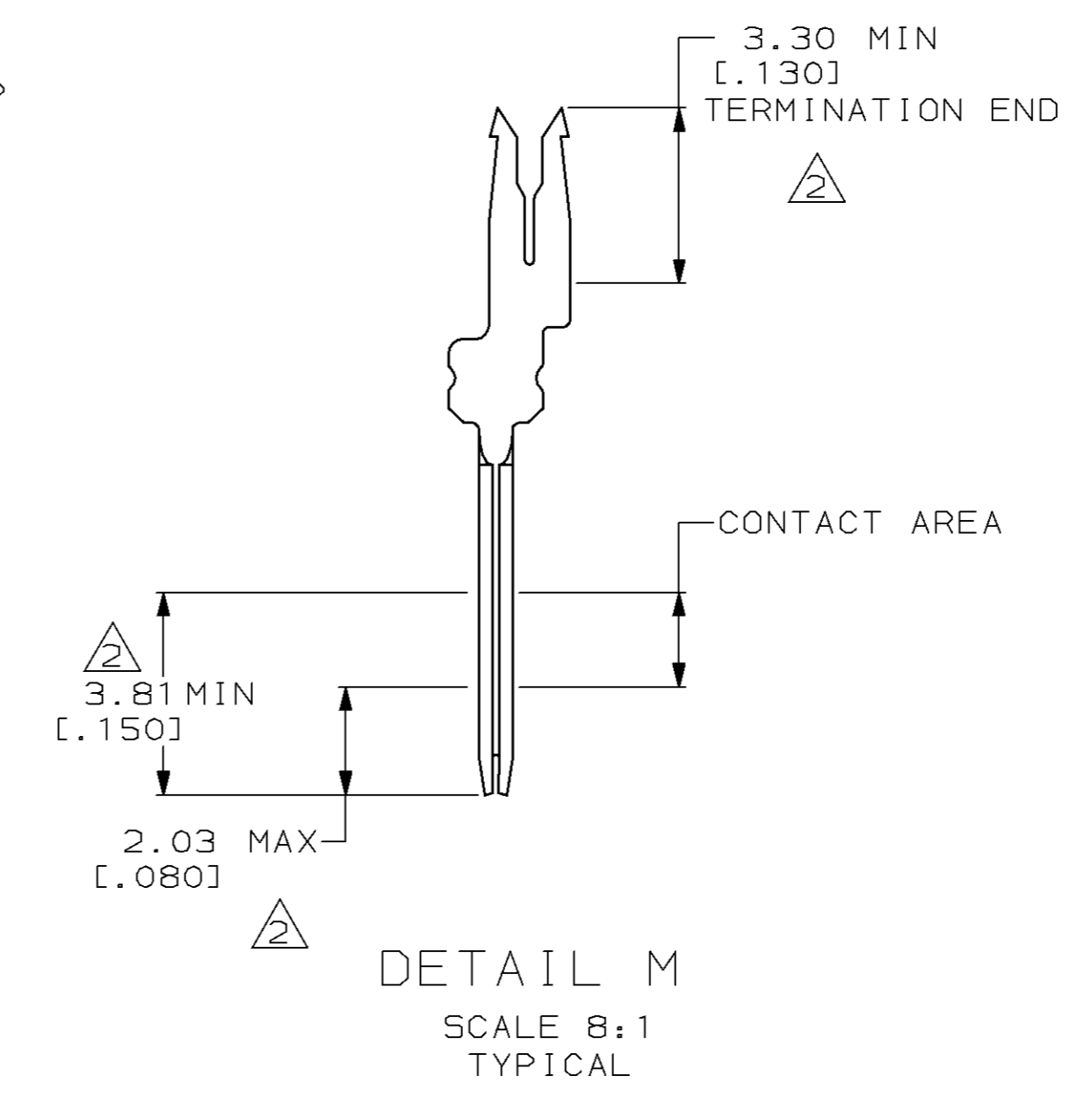
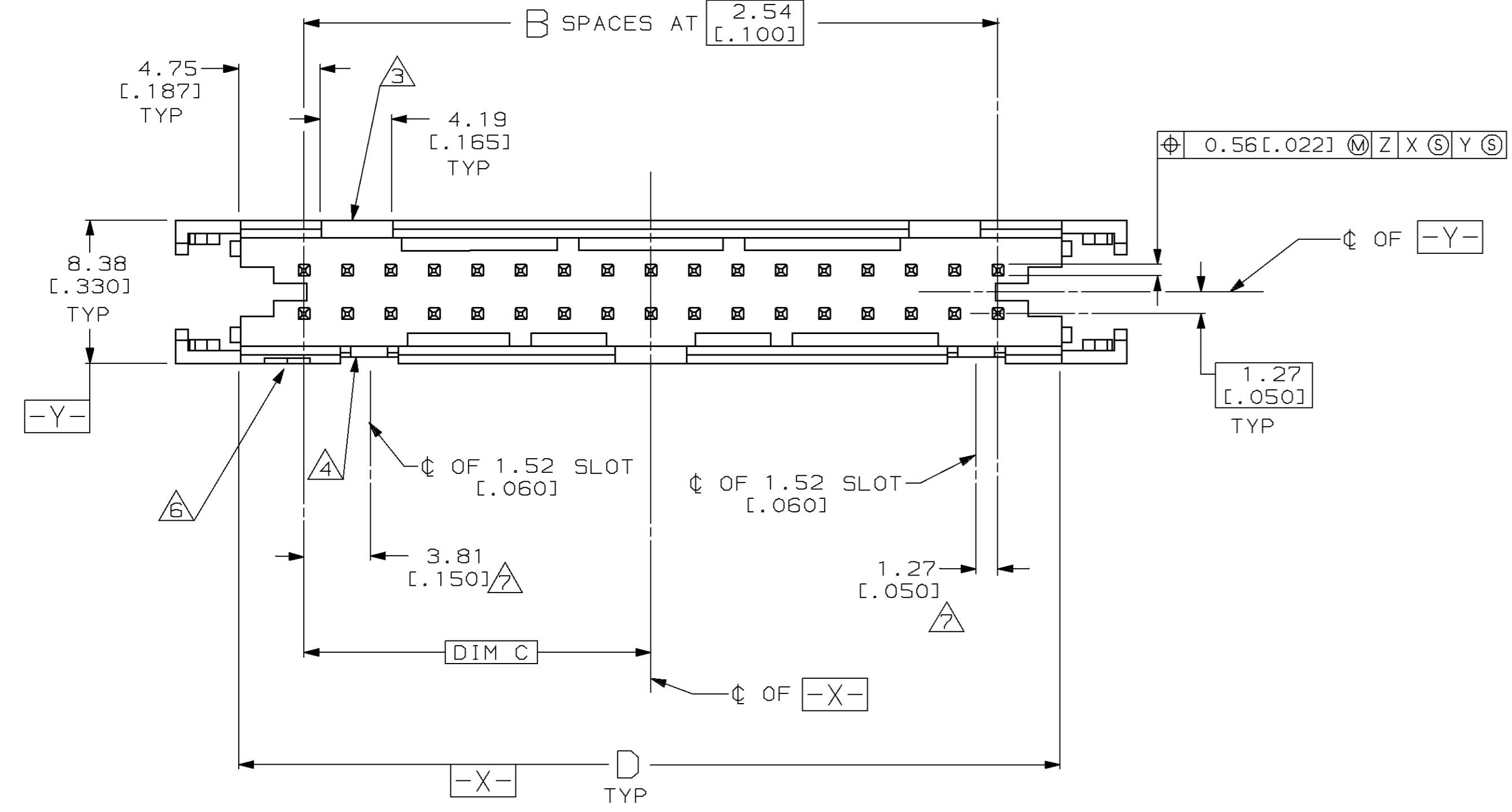
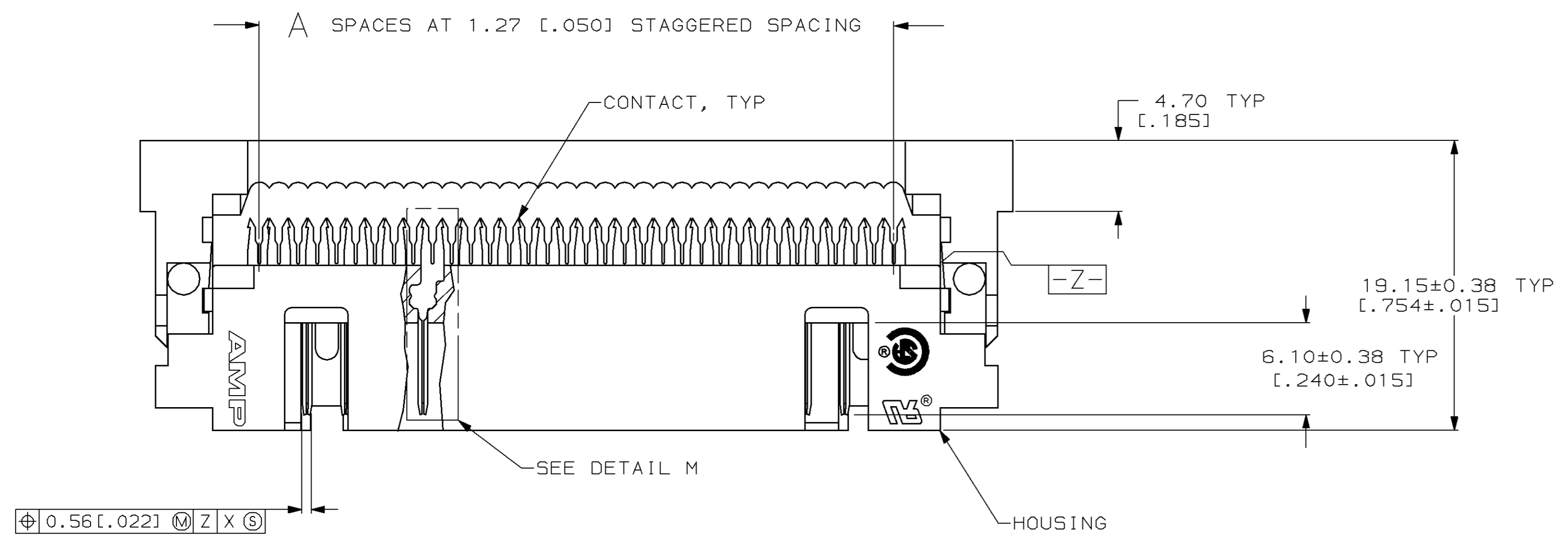
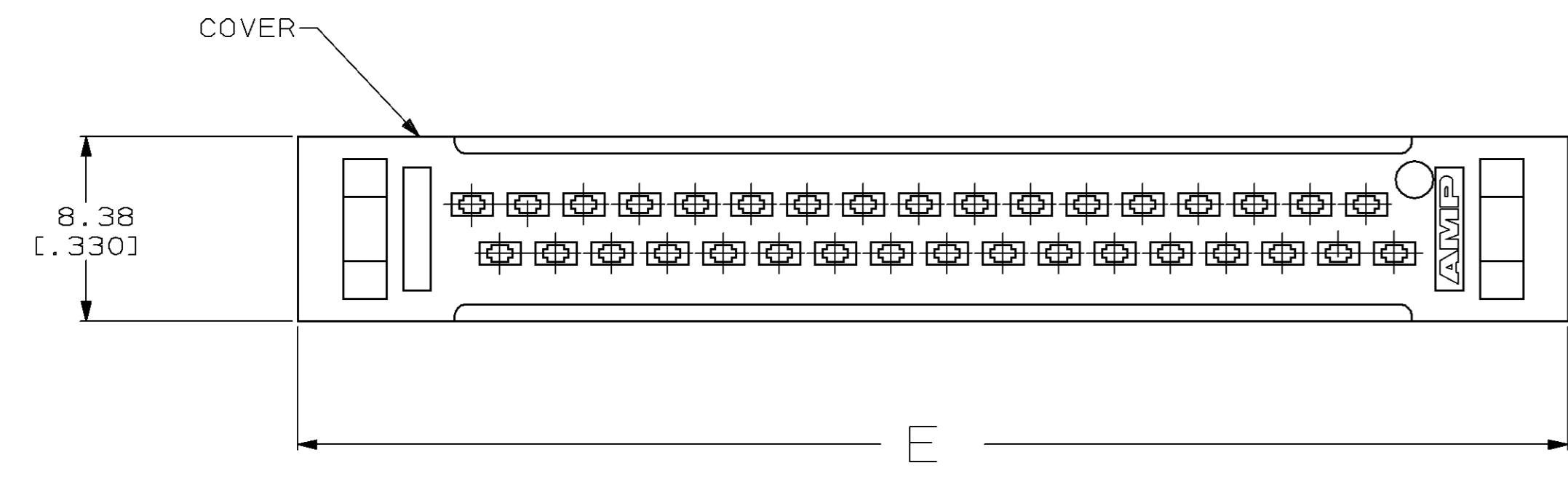


LOC	DIST	REV	DESCRIPTION	DATE	APPD
AR	35	P	REVISED PER NPR 3149	7-11-90	FMH
		A	REVISED PER ECN BD4491	11-15-90	FMH
		B	REV PER ECN BD4933	4-18-91	FMH
		C	REV PER EC 0020-53-94	04/27/94	DK
		D	REV PER EC 0020-1023-95	21 SEP 95	KD

- 1. FLAME RETARDANT 94V-0 RATED THERMOPLASTIC; BLACK.
- 2. 2.54µm [.000100] MIN BRIGHT TIN-LEAD ON TERMINATION END, 0.76µm [.000030] MIN GOLD ON CONTACT AREA, ALL OVER 1.27µm [.000050] MIN NICKEL.
- 3. NO SLOT ON THIS END FOR 10 AND 14 POSITION HOUSINGS.
- 4. NO SLOT FOR SNAP-IN POLARIZER ON THIS END FOR 10 AND 14 POSITION HOUSINGS.
- 5. FOR MILITARY POLARIZATION, ORDER SNAP-IN POLARIZER 499991-2 (BULK PACK OF 50).
- 6. POSITION NO 1 INDICATOR.
- 7. COORDINATE DIMENSION APPLIES FROM CENTER OF ACTUAL FEATURE.
- 8. FOR LATCHES ORDER 111451, 2 PER ASSEMBLY.
- 9. PHOSPHOR BRONZE PER QQ-B-750.
- 10. STRAIN RELIEF 111547 MUST BE ORDERED SEPARATELY.



95.81	86.21	39.37	31	63	64	1-111446-3
[3.772]	[3.394]	[1.550]				
89.59	81.13	36.83	29	59	60	1-111446-2
[3.527]	[3.194]	[1.450]				
78.03	68.43	30.48	24	49	50	1-111446-1
[3.072]	[2.694]	[1.200]				
70.41	60.81	26.67	21	43	44	1-111446-0
[2.772]	[2.394]	[1.050]				
65.33	55.73	24.13	19	39	40	111446-9
[2.572]	[2.194]	[0.950]				
57.71	48.11	20.32	16	33	34	111446-8
[2.272]	[1.894]	[0.800]				
52.63	43.03	17.78	14	29	30	111446-7
[2.072]	[1.694]	[0.700]				
47.55	37.95	15.24	12	25	26	111446-6
[1.872]	[1.494]	[0.600]				
45.01	35.41	13.97	11	23	24	111446-5
[1.772]	[1.394]	[0.550]				
39.93	30.33	11.43	9	19	20	111446-4
[1.572]	[1.194]	[0.450]				
34.85	25.25	8.89	7	15	16	111446-3
[1.372]	[0.994]	[0.350]				
32.31	22.71	7.62	6	13	14	111446-2
[1.272]	[0.894]	[0.300]				
27.230	17.63	5.08	4	9	10	111446-1
[1.072]	[0.694]	[0.200]				
E	D	C	B	A	NO OF POSN	PART NUMBER

DO NOT SCALE PRINT. UNLESS SPECIFIED DIMENSIONS IN mm [INCHES]		PART NO	
DR 7-11-90 H. MOLL	AMP INCORPORATED Harrisburg, Pa. 17105	UNIV I/O PIN CONN, WITHOUT MOUNTING EARS, AMP-LATCH™	
CHK 8-1-90 F. M. HEINEY	NAME	SIZE	DRAWING NO
APPD 8-2-90 D. HOFFMAN		D	111446
APPD 8-3-90 D. HOFFMAN	PRODUCT SPEC	CAGE CODE	00779
	108-1336	SCALE	4:1
	APPLICATION SPEC	WEIGHT	
	114-7011		
		SHEET	1 OF 1