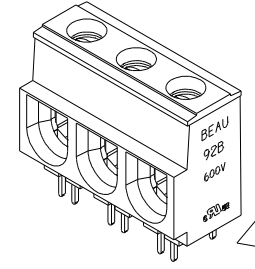
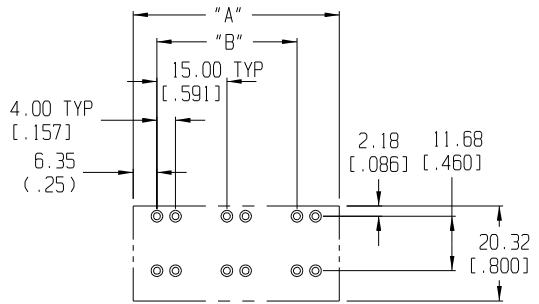
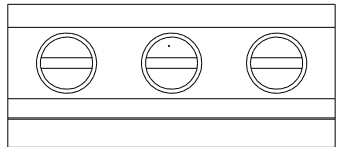
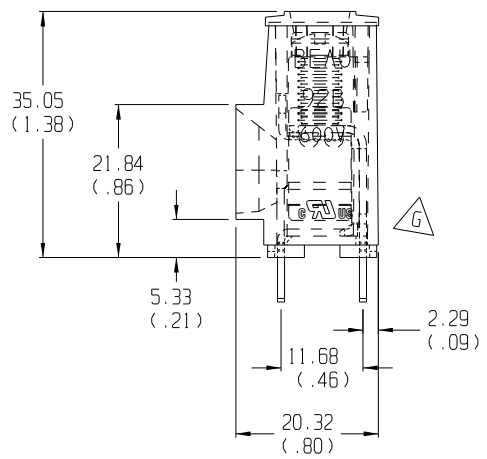
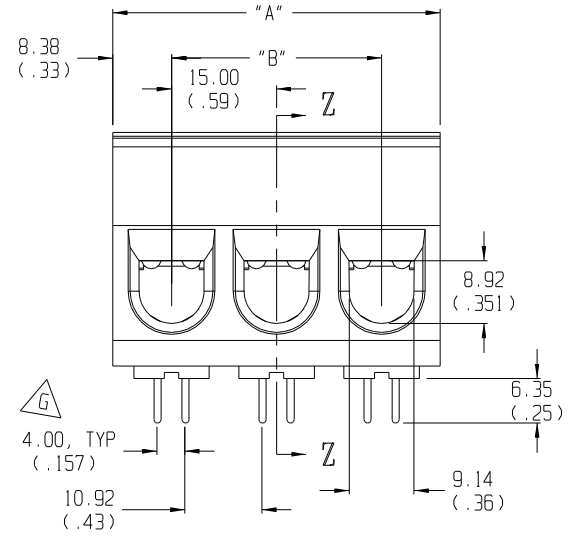
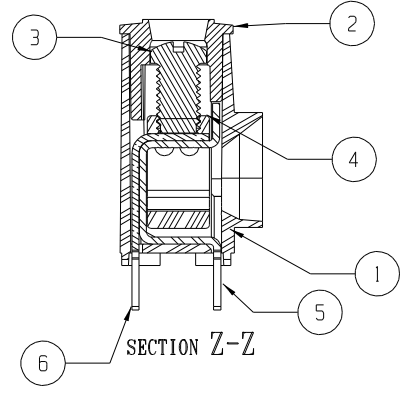


LENGTH TABLE

| MATERIAL NO. | NO. CIRCUITS | DIM "A" | DIM "B" |
|--------------|--------------|------------|---------------|
| 39920-0302 | 02 | 32 (1.25) | 15.0 (.591) |
| 39920-0303 | 03 | 47 (1.84) | 30.0 (1.181) |
| 39920-0304 | 04 | 62 (2.43) | 45.0 (1.772) |
| 39920-0305 | 05 | 77 (3.02) | 60.0 (2.362) |
| 39920-0306 | 06 | 92 (3.61) | 75.0 (2.952) |
| 39920-0307 | 07 | 107 (4.20) | 90.0 (3.543) |
| 39920-0308 | 08 | 122 (4.79) | 105.0 (4.134) |
| 39920-0309 | 09 | 137 (5.38) | 120.0 (4.724) |
| 39920-0310 | 10 | 152 (5.97) | 135.0 (5.315) |
| 39920-0311 | 11 | 167 (6.57) | 150.0 (5.906) |
| 39920-0312 | 12 | 182 (7.16) | 165.0 (6.496) |



RECOMMENDED PTH PATTERN
 Ø1.52 (.060) MINIMUM FINISHED HOLE
 SCALE 1:1



NOTES:

- MATERIAL: SEE TABLE.
- FINISHES: SEE TABLE.
- PRODUCT SPECIFICATION: NOT REQUIRED.
- PACKAGING: NOT REQUIRED.
- MATES WITH: NONE.
- ALL FEATURES ARE TYPICAL UNLESS OTHERWISE NOTED.
- "XX" REFERS TO THE NUMBER OF CIRCUIT POSITIONS
- DESIGNED TO MEET NEC & UL 1059 CLASS C 600 VOLTS
- MULTIPLE TAIL DESIGN FOR LOWER PCB CURRENT DENSITIES
- PROVEN PRESSURE CLAMP STYLE CONNECTION
- AVAILABLE IN VARIOUS LENGTHS
- WINDOW ACCEPTS 133/23 STRANDED #2 AWG, #3 AWG AND 19 STRAND #1 AWG

| ITEM | QTY. | DESCRIPTION | MATERIAL | FINISH |
|------|------|------------------------|---------------|--------|
| 6 | "XX" | OUTER TERMINAL | COPPER | TIN |
| 5 | "XX" | INNER TERMINAL | COPPER | TIN |
| 4 | "XX" | CAGE | BRASS | NICKEL |
| 3 | "XX" | SCREW, 1/4-28, SLOTTED | BRONZE | TIN |
| 2 | 1 | COVER | THERMOPLASTIC | BLACK |
| 1 | 1 | BODY | THERMOPLASTIC | BLACK |

EC NO. 11485
 DRAWN: RK 6-16-04
 CHK'G:
 APPR:
 G REV

DESCRIPTION

QUALITY SYMBOLS
 MAJOR =
 CRITICAL =

GENERAL TOLERANCES: (UNLESS SPECIFIED)

| | mm | INCH |
|----------|--------|-------|
| 4 PLACES | ±.0015 | |
| 3 PLACES | ±.0038 | ±.005 |
| 2 PLACES | ±.13 | ±.01 |
| 1 PLACE | ±.3 | |

ANGULAR: ±2°

DRAFT WHERE APPLICABLE MUST REMAIN WITHIN DIMENSIONS

DESIGN UNITS
 mm INCH

SCALE 1.5:1

THIRD ANGLE PROJECTION

DRAWN BY & DATE
 AMP 4/11/02

CHECKED BY & DATE
 GHR 6/11/02

APPROVED BY & DATE
 L.ROTHAUS 6/11/02

CAD FILENAME
 9235XX

TITLE: SR, BTS, #1-#8 AWG, 600V

MOLEX INCORPORATED

MATERIAL NO. SEE CHART

DRAWING NO. SD-39920-006

SHEET NO. 1 OF 1

THIS DRAWING CONTAINS INFORMATION THAT IS PROPRIETARY TO MOLEX INCORPORATED AND SHOULD NOT BE USED WITHOUT WRITTEN PERMISSION.

SIZE B