

NOTES:

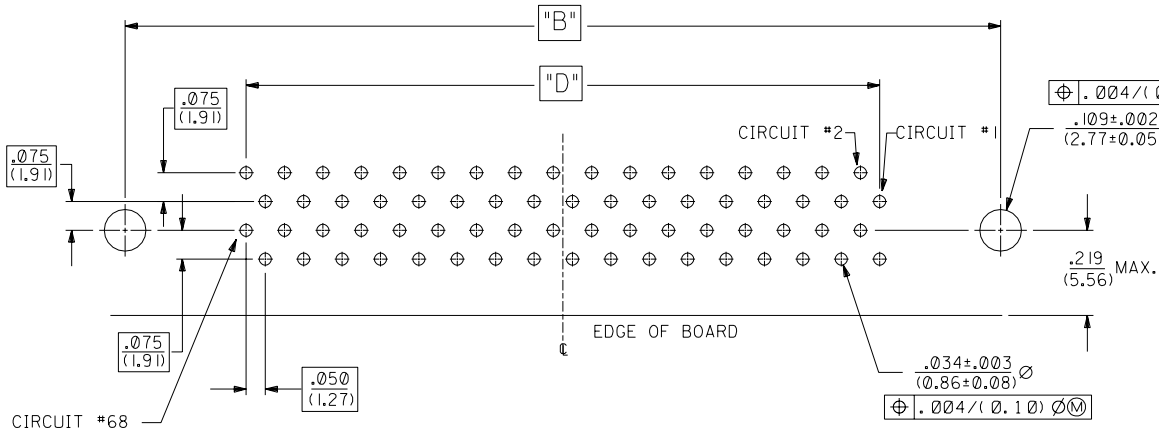
1. SEE SHEETS 3 AND 4 FOR PART NO'S. AND CHARTED DIMENSIONS.
2. TAIL / PCB PATTERN FIXED AT LAST CIRCUIT POSITIONS FOR ALL CIRCUIT SIZES AT END SHOWN. (B12).
3. SEE SHEET 2 FOR ALL ADDITIONAL NOTES.
4. THE "H" DIMENSION APPLIES ONLY TO THE PLASTIC HOUSING AND NOT THE SHIELD.

4	N
3	N
2	N
1	N
MFG. SH. REV.	

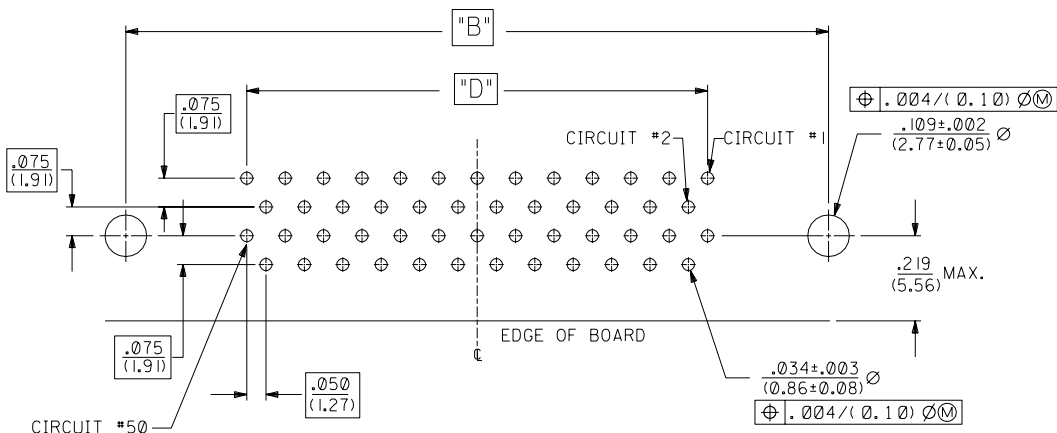
N	OBSOLETE PART # ECR* UCP2005-0311 BSMART 04/08/09	K2	NOTES ON SHEETS 4,5 FOR SCREWLOKS ECN UCP2004-0240 RWHITE 03/07/31 ADDED NOT TOOLED TO CHART PER EC *UDT1999-0167 J. LONG N98/09/08
M	LEADFREE ECR* UCP2004-1925 DMORGAN 04/04/06	K1	REVISED CHART PER EC # U81346 J. LONG 97/12/12
LTR.	REVISIONS	LTR.	REVISIONS

DIMENSIONS SHOWN (METRIC) INCH	
UNLESS OTHERWISE SPECIFIED TOLERANCES: ANGULAR $\pm 1/2^\circ$	
3 PLACE	$\pm .005$
2 PLACE	$\pm .013$
1 PLACE	$\pm .05$
DRAFT WHERE APPLICABLE MUST REMAIN WITHIN DIMENSIONS	
DRW. BY J. Long	CHK'D. BY BOWEN
APP'D. BY DJB	SCALE 4 : 1

REVISE ONLY ON CAD SYSTEM	
TITLE SALES ASSEMBLY SCSI SHIELDED RECEPTACLE	
MOLEX INCORPORATED LITSE,ILL. 60532	SHEET NO. 1 OF 4
DATE 03/27/89	
PART NO. SEE CHARTS	DRWG. NO. SDA-79059-1***
FILE NAME 579059A1.DGN	THIS DRAWING CONTAINS INFORMATION THAT IS PROPRIETARY TO MOLEX INC. AND SHOULD NOT BE USED WITHOUT WRITTEN PERMISSION.
DIV. DC	SIZE C



TYPE 1168 CKT P.C. BOARD LAYOUT
CONNECTOR SIDE (SCALE 4:1)

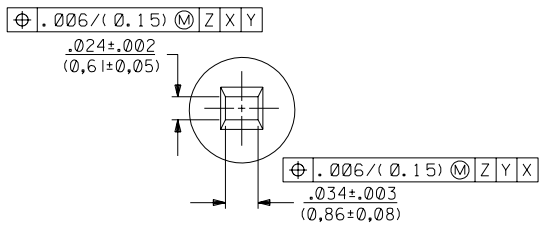


TYPE 150 CKT P.C. BOARD LAYOUT
CONNECTOR SIDE (SCALE 4:1)

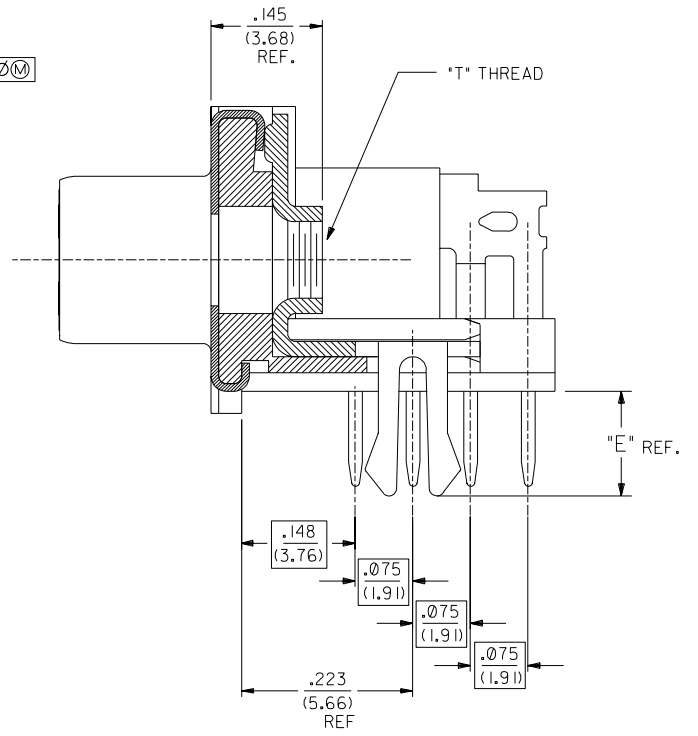
NOTES:

- REFER TO PS-79058 PRODUCT SPEC. FOR ELECTRICAL, MECHANICAL AND ENVIRONMENTAL SPECIFICATIONS.
- MATERIAL:
RECEPTACLE HOUSING: GLASS FILLED LCP (LIQUID CRYSTAL POLYMER); COLOR-BLACK; UL 94V-0
CONTACTS: PHOSPHOR BRONZE
SHIELD: STEEL WITH BRIGHT TIN OVER NICKEL PLATING OVER COPPER FLASH.
GROUNDING CLIP: BRASS WITH TIN OVER NICKEL PLATE
- PACKAGING:
PARTS PACKAGED IN TUBES PER PK-70873-0207
- PLATING:
SELECTIVE GOLD: THICKNESS= 30 MICROINCHES/(0.76 MICROMETERS) MINIMUM.
SELECTIVE TIN: THICKNESS= 75 MICROINCHES/(1.90 MICROMETERS) MINIMUM.
NICKEL UNDERPLATE OVERALL.

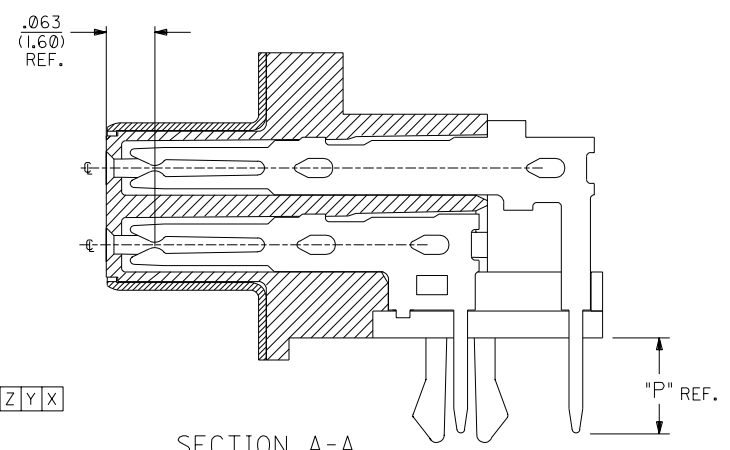
NOTE FOR LEAD FREE CONVERSION:
THE PRIMARY SHIPPING CARTON WILL BE LABELED "COMPLIANT TO RoHS DIRECTIVE 2002/95/EC AND ELV ANNEX II OF DIRECTIVE 2000/53/EC". CARTONS WITHOUT THIS LABEL MAY CONTAIN PRODUCT WITH LEAD.



PIN WINDOW DETAIL
SCALE 10:1



SECTION B-B



SECTION A-A
SEE NOTE 2 (SHEET 1)

LTR.	REVISIONS	LTR.	REVISIONS

DIMENSIONS SHOWN (METRIC) INCH	
5 PLACE ± .005	---
2 PLACE ± ---	± 0.15
1 PLACE ---	± ---

MFG. SH. REV.		REVISE ONLY ON CAD SYSTEM	
TITLE SCSI SHIELDED RECEPTACLE ASSEMBLY			
PART NO. MOLEX INCORPORATED L15LEJLL 60532		SHEET NO. DATE 2 08/14/89	
DRWG. NO. SEE CHARTS		SDA-79059-1***	
<small>THIS DRAWING CONTAINS INFORMATION THAT IS PROPRIETARY TO MOLEX INC. AND SHOULD NOT BE USED WITHOUT WRITTEN PERMISSION.</small>			

ASSEMBLIES WITH .078 DIAMETER END HOLES IN HOUSING AND #2-56 GND CLIPS

EDP/ITEM NUMBER	CKT. SIZE	HOUSING HOLE DIA.	DIM. T GND. CLIP THREAD	DIM. A		DIM. B		DIM. C		DIM. D		DIM. E		DIM. H		DIM. P		RECMD PCB	
				INCH	MM	INCH	MM	INCH	MM	INCH	MM	INCH	MM	INCH	MM	INCH	MM	INCH	MM
015-87-6043	50	.078	2-56	2.065	52.54	1.830	46.48	1.366	34.69	1.200	30.48	.105	2.67	.400	10.16	.125	3.18	.062	1.57
015-87-6060	68	.078	2-56	2.515	63.88	2.280	57.91	1.816	46.13	1.650	41.91	.105	2.67	.400	10.16	.125	3.18	.062	1.57
015-87-6044	50	.078	2-56	2.065	52.54	1.830	46.48	1.366	34.69	1.200	30.48	.136	3.45	.400	10.16	.125	3.18	.093	2.36
015-87-6061	68	.078	2-56	2.515	63.88	2.280	57.91	1.816	46.13	1.650	41.91	.136	3.45	.400	10.16	.125	3.18	.093	2.36
015-87-6045	50	.078	2-56	2.065	52.54	1.830	46.48	1.366	34.69	1.200	30.48	.168	4.27	.400	10.16	.165	4.19	.125	3.18
015-87-6062	68	.078	2-56	2.515	63.88	2.280	57.91	1.816	46.13	1.650	41.91	.168	4.27	.400	10.16	.165	4.19	.125	3.18

ASSEMBLIES WITH .105 DIAMETER END HOLES IN HOUSING AND #4-40 GND CLIPS

EDP/ITEM NUMBER	CKT. SIZE	HOUSING HOLE DIA.	DIM. T GND. CLIP THREAD	DIM. A		DIM. B		DIM. C		DIM. D		DIM. E		DIM. H		DIM. P		RECMD PCB	
				INCH	MM	INCH	MM	INCH	MM	INCH	MM	INCH	MM	INCH	MM	INCH	MM	INCH	MM
015-87-6040	50	.105	4-40	2.065	52.54	1.830	46.48	1.366	34.69	1.200	30.48	.105	2.67	.400	10.16	.125	3.18	.062	1.57
015-87-6200	68	.105	4-40	2.515	63.88	2.280	57.91	1.816	46.13	1.650	41.91	.105	2.67	.400	10.16	.125	3.18	.062	1.57
015-87-6041	50	.105	4-40	2.065	52.54	1.830	46.48	1.366	34.69	1.200	30.48	.136	3.45	.400	10.16	.125	3.18	.093	2.36
015-87-6201	68	.105	4-40	2.515	63.88	2.280	57.91	1.816	46.13	1.650	41.91	.136	3.45	.400	10.16	.125	3.18	.093	2.36
015-87-6042	50	.105	4-40	2.065	52.54	1.830	46.48	1.366	34.69	1.200	30.48	.168	4.27	.400	10.16	.165	4.19	.125	3.18
015-87-6202	68	.105	4-40	2.515	63.88	2.280	57.91	1.816	46.13	1.650	41.91	.168	4.27	.400	10.16	.165	4.19	.125	3.18

NOTE: ASSEMBLIES LISTED ON THIS SHEET HAVE A SMALLER HOLE DIAMETER FOR INSERTION OF SCREWLOCKS USING A POWER DRIVER.

L		SEE SHEET I	DIMENSIONS SHOWN (METRIC) INCH		REVISIONS		MFG. SH. REV.																																							
N		SEE SHEET I	K2	SEE SHEET I	UNLESS OTHERWISE SPECIFIED TOLERANCES: ANGULAR $\pm 1/2^\circ$		REVISE ONLY ON CAD SYSTEM																																							
M		SEE SHEET I	K1	SEE SHEET I	<table border="1"> <tr> <th colspan="2">INCH</th> <th colspan="2">METRIC</th> </tr> <tr> <td>3 PLACE</td> <td>$\pm .005$</td> <td colspan="2">---</td> </tr> <tr> <td>2 PLACE</td> <td>$\pm --$</td> <td colspan="2">± 0.13</td> </tr> <tr> <td>1 PLACE</td> <td>---</td> <td colspan="2">$\pm --$</td> </tr> </table>		INCH		METRIC		3 PLACE	$\pm .005$	---		2 PLACE	$\pm --$	± 0.13		1 PLACE	---	$\pm --$		<table border="1"> <tr> <td>TITLE</td> <td>SCSI SHIELDED RECEPTACLE ASSEMBLY</td> </tr> <tr> <td>PROB.</td> <td>MOLEX INCORPORATED</td> </tr> <tr> <td>FILE NAME</td> <td>ST9059A4.DGN</td> </tr> <tr> <td>SHEET NO.</td> <td>3</td> </tr> <tr> <td>DATE</td> <td>97/09/29</td> </tr> <tr> <td>U.S.A.</td> <td></td> </tr> <tr> <td>PART NO.</td> <td>SEE CHART</td> </tr> <tr> <td>DRWG. NO.</td> <td>SDA-79059-1***</td> </tr> <tr> <td>APP'D. BY</td> <td>DJB</td> </tr> <tr> <td>CHK'D. BY</td> <td>J. Long</td> </tr> <tr> <td>SCALE</td> <td>1:1</td> </tr> </table>		TITLE	SCSI SHIELDED RECEPTACLE ASSEMBLY	PROB.	MOLEX INCORPORATED	FILE NAME	ST9059A4.DGN	SHEET NO.	3	DATE	97/09/29	U.S.A.		PART NO.	SEE CHART	DRWG. NO.	SDA-79059-1***	APP'D. BY	DJB	CHK'D. BY	J. Long	SCALE	1:1
INCH		METRIC																																												
3 PLACE	$\pm .005$	---																																												
2 PLACE	$\pm --$	± 0.13																																												
1 PLACE	---	$\pm --$																																												
TITLE	SCSI SHIELDED RECEPTACLE ASSEMBLY																																													
PROB.	MOLEX INCORPORATED																																													
FILE NAME	ST9059A4.DGN																																													
SHEET NO.	3																																													
DATE	97/09/29																																													
U.S.A.																																														
PART NO.	SEE CHART																																													
DRWG. NO.	SDA-79059-1***																																													
APP'D. BY	DJB																																													
CHK'D. BY	J. Long																																													
SCALE	1:1																																													
LTR.		REVISIONS		LTR.		REVISIONS		DIV. DC																																						

79059