

# VHDCI CONNECTORS VHDCR, VHDCP SERIES

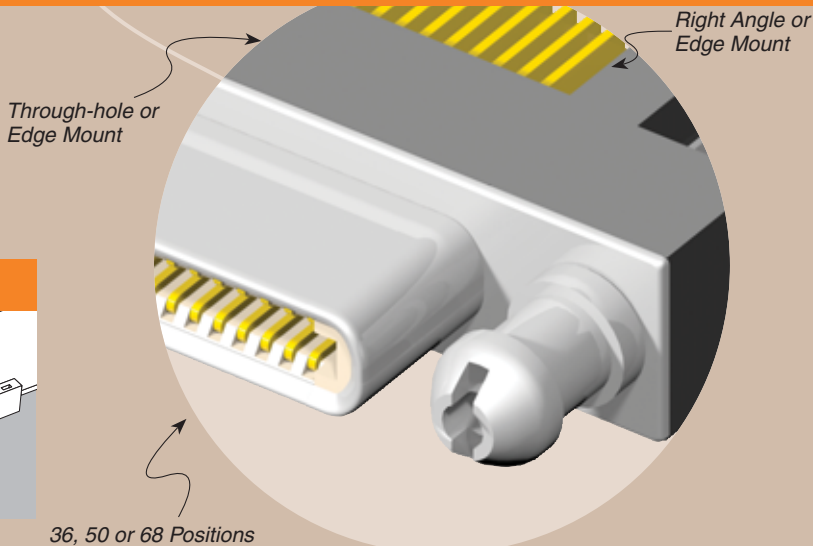
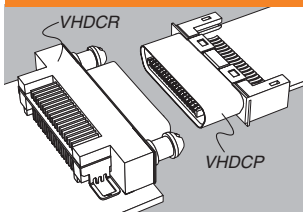
## SPECIFICATIONS

For complete specifications and recommended PCB layouts see [www.samtec.com?VHDCR](http://www.samtec.com?VHDCR) or [www.samtec.com?VHDCP](http://www.samtec.com?VHDCP)

**RoHS Compliant:**  
Yes  
**Lead-Free Solderable:**  
No

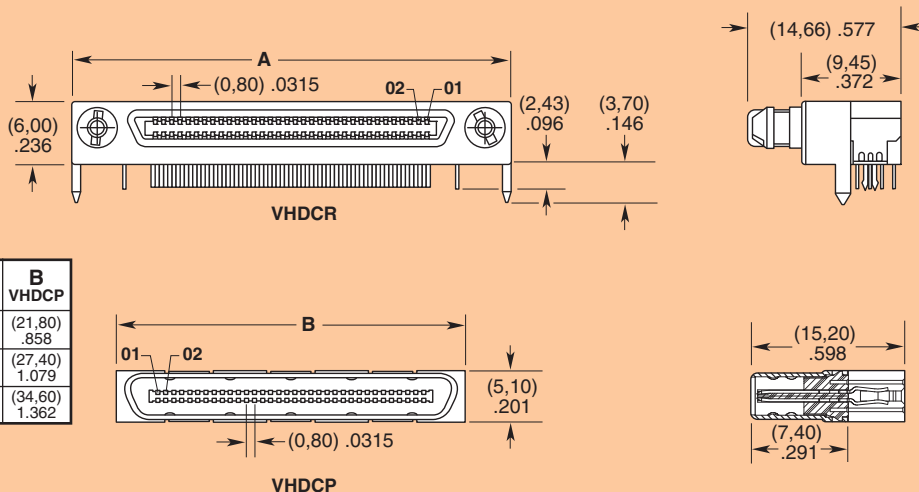
**VHDCR Mates with:**  
VHDCP and Industry Standard VHDCI Cable Assemblies  
**VHDCP Mates with:**  
VHDCR

## APPLICATION



TYPE	NO. OF POSITIONS	01	PLATING	MOUNTING OPTION
VHDCR = Right Angle VHDCP = Edge Mount	-36, -50, -68	-M = 15µ" (0,38µm) Gold		-RA = Right Angle (Required for VHDCR) -EM = Edge Mount (Required for VHDCP)

NO. OF POSITIONS	A VHDCR	B VHDCP
36	(29,90) 1.177	(21,80) .858
50	(35,50) 1.400	(27,40) 1.079
68	(42,70) 1.681	(34,60) 1.362



**Note:**  
This Series is non-standard, non-returnable.

*Due to technical progress, all designs, specifications and components are subject to change without notice.*

[WWW.SAMTEC.COM](http://WWW.SAMTEC.COM)