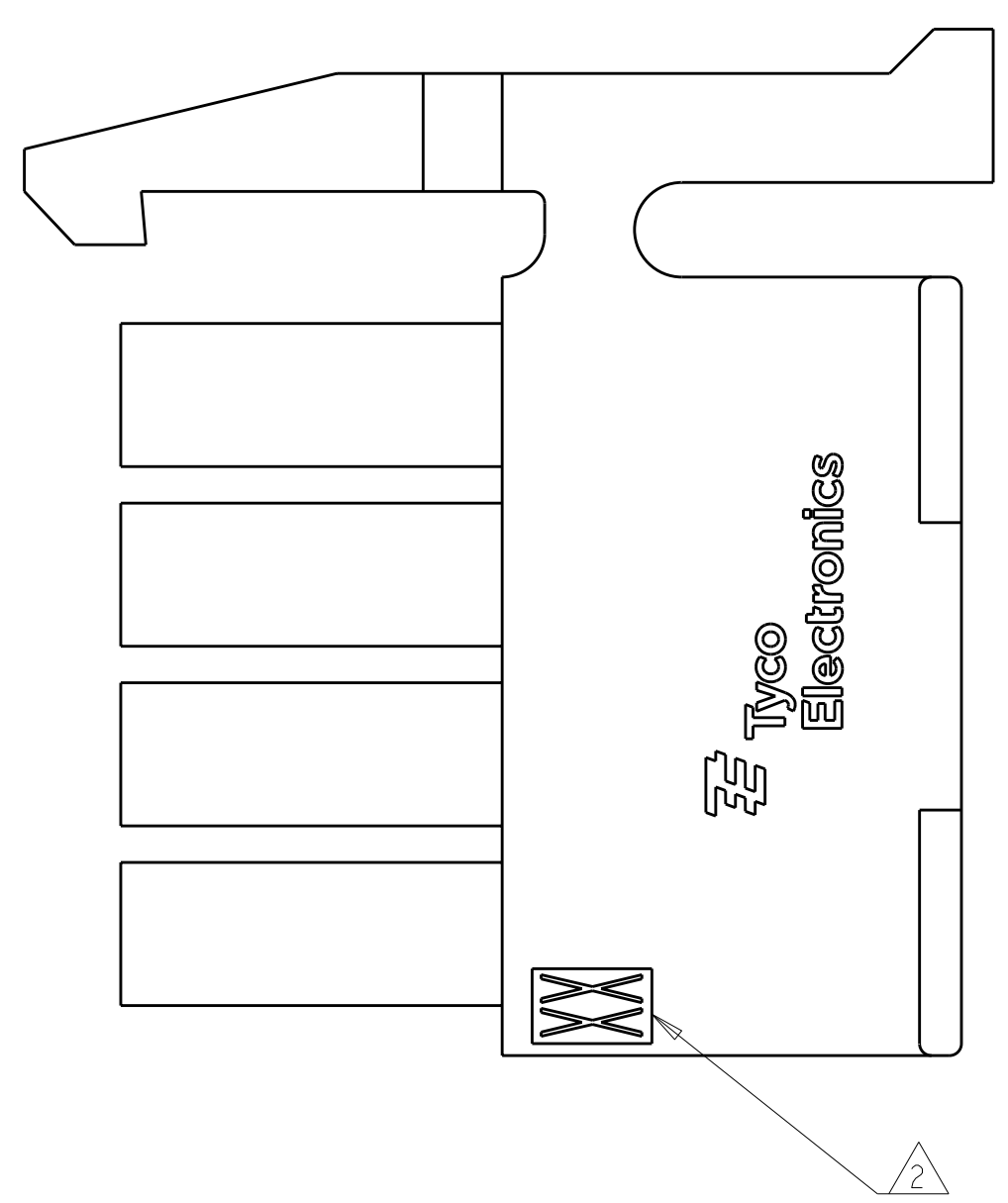
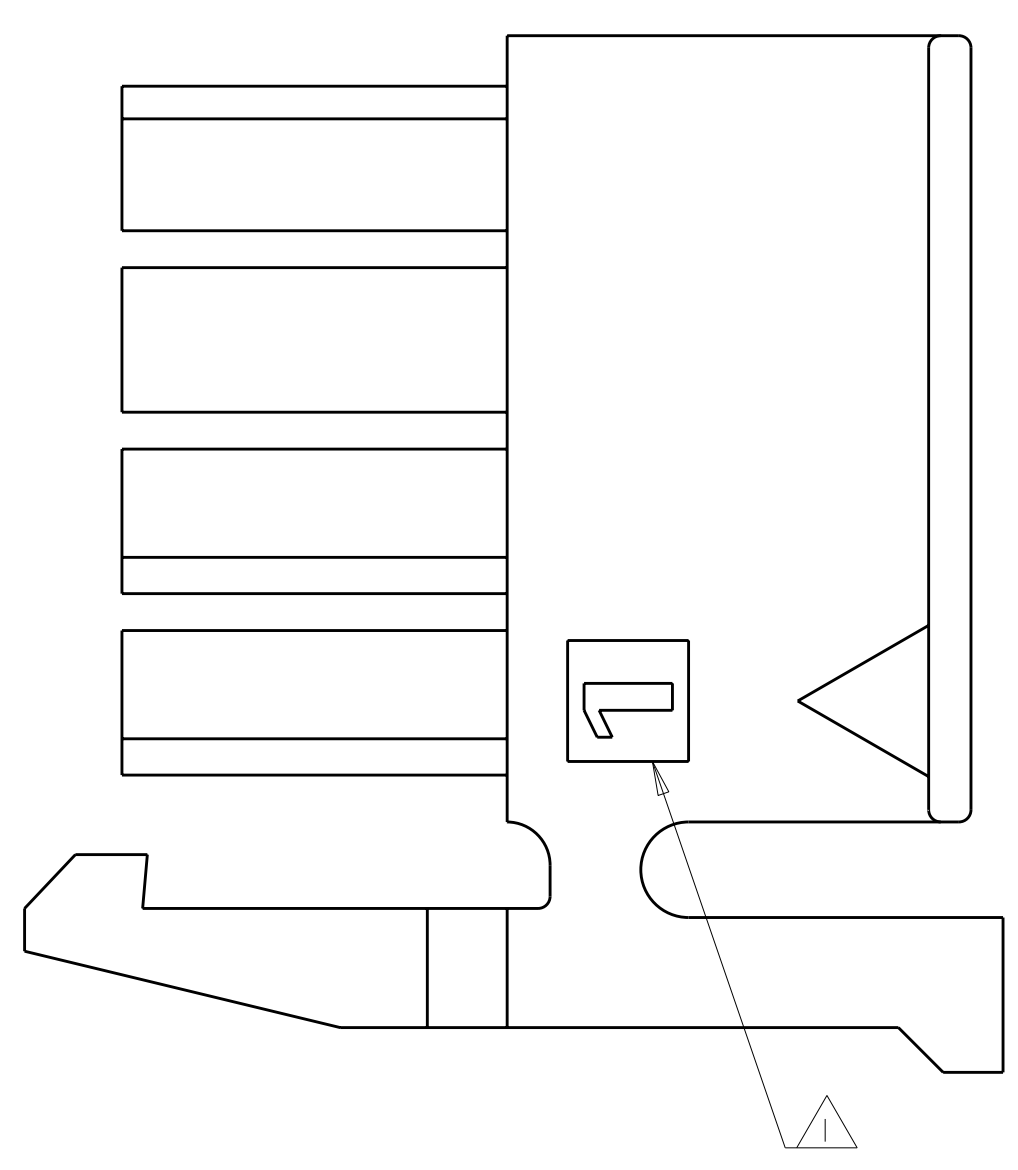
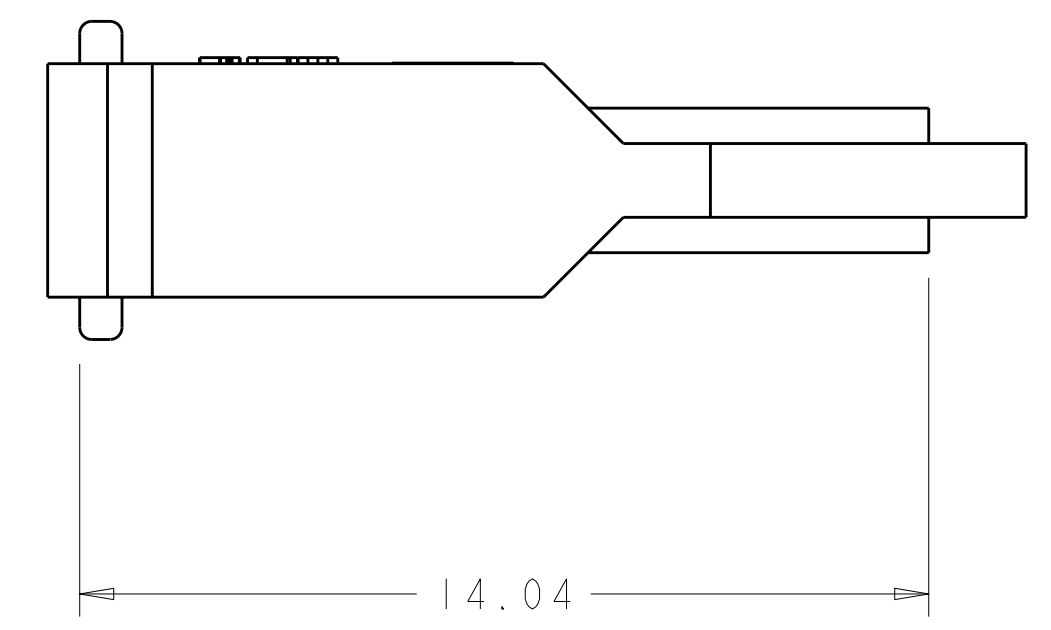
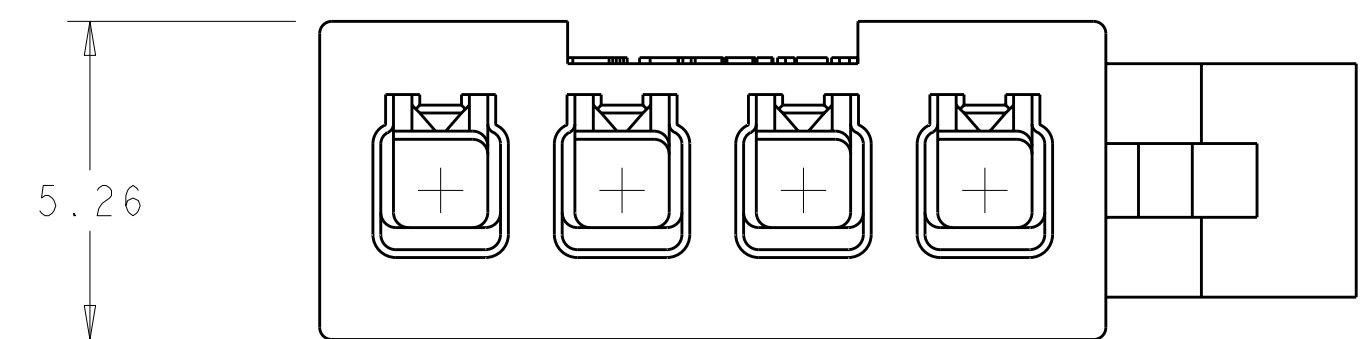
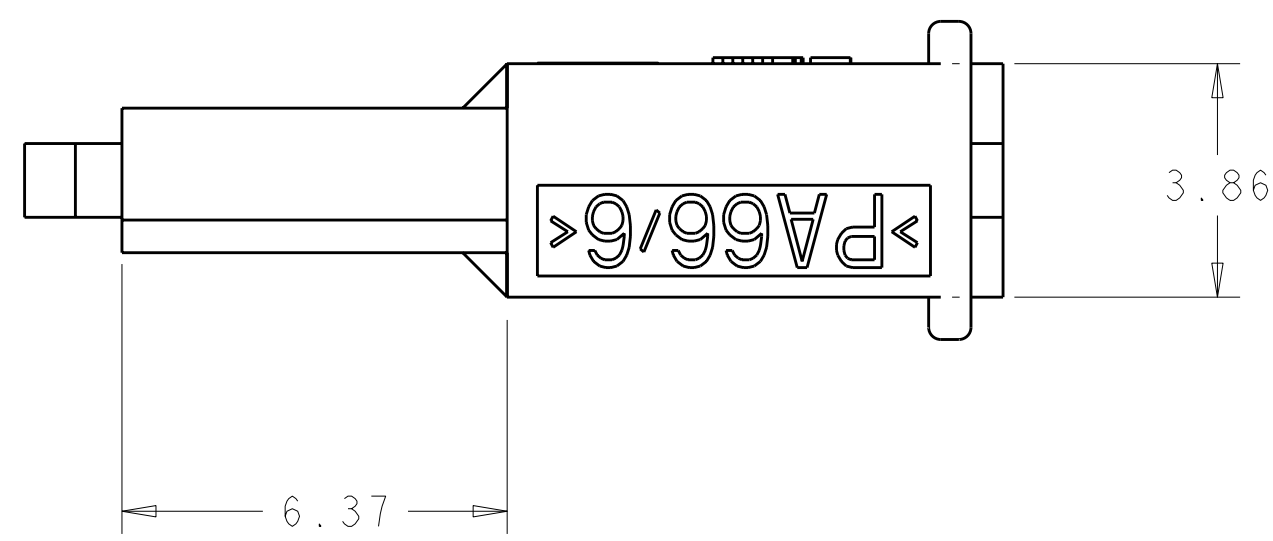
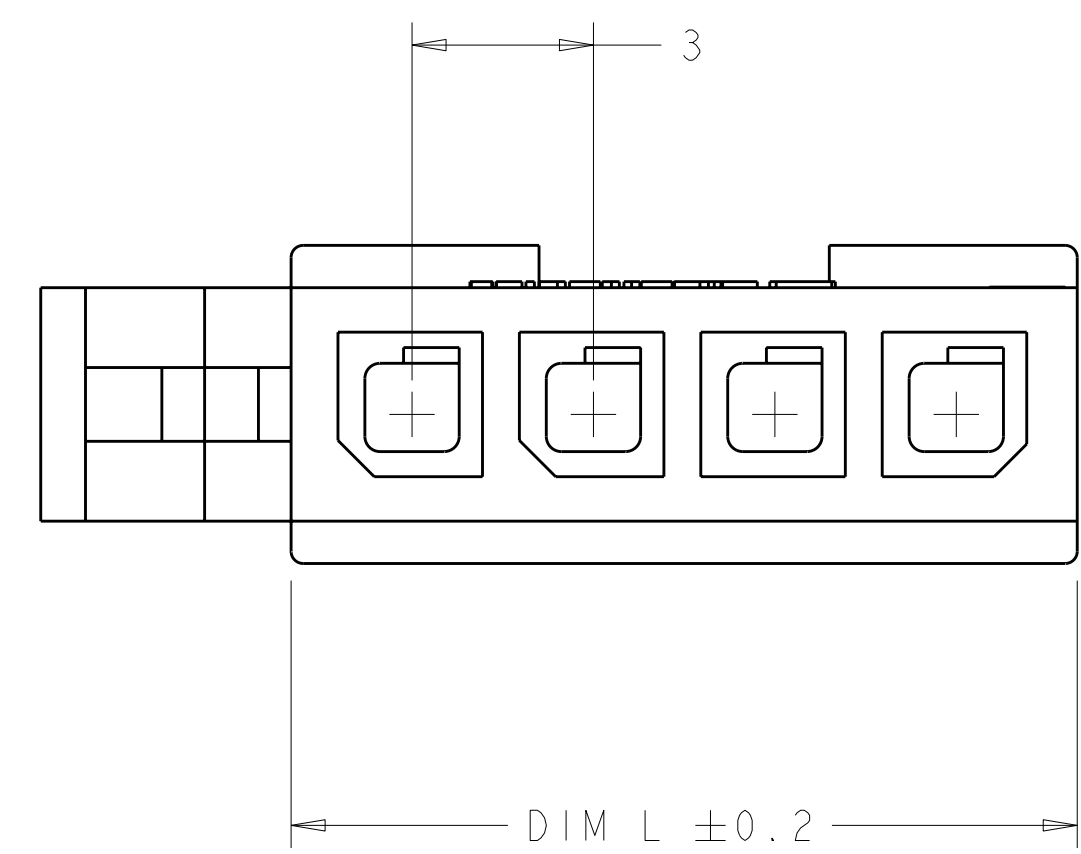


LOC	DIST	REV	DATE	BY	APPD
CM	00				
		I	03JAN2008	KW	CJ
		A	06MAR2008	KW	CJ
		AI	17APR2008	KW	CJ



① CIRCUIT 1 IDENTIFIER, LOCATED APPROXIMATELY AS SHOWN.  
 ② LAST CIRCUIT IDENTIFIER, LOCATED APPROXIMATELY AS SHOWN.



VOLUME mm <sup>3</sup>	DIM L	NO OF POS.	PART NO.
434.05	13	4	2029047-4
353.32	10	3	2029047-3
272.6	7	2	2029047-2

DIMENSIONS: mm 		TOLERANCES UNLESS OTHERWISE SPECIFIED: 0 PLC ± 1 PLC ±0.13 2 PLC ± 3 PLC ± 4 PLC ± ANGLES ±1° FINISH -		DWN R. WHITAKER 03JAN2008 CHK C. JONES 03JAN2008 APVD C. JONES 03JAN2008		Tyco Electronics Harrisburg, PA 17105-3608	
MATERIAL: NYLON, UL 94V-0 BLACK		NAME: RECEPTACLE HOUSING, SPECIAL, SINGLE ROW, MICRO MATE-L-LOK(TM)		SIZE: CAGE CODE: DRAWING NO: AI 00779 C=2029047		RESTRICTED TO: CUSTOMER DRAWING	
METRIC		SCALE: 8:1		SHEET 1 OF 1		REV AI	