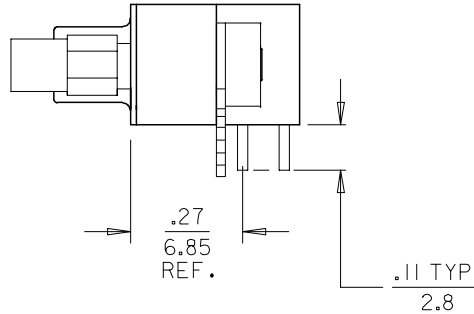
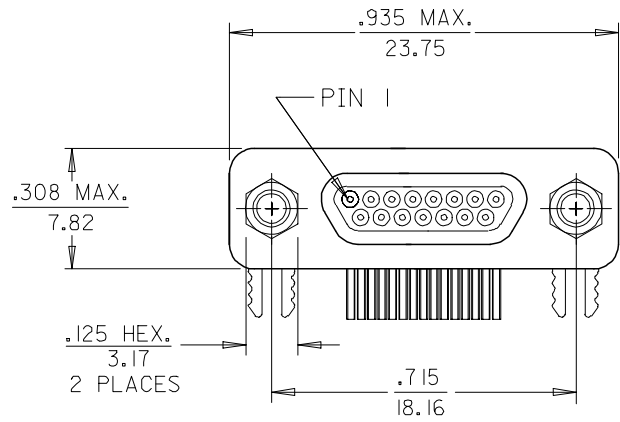
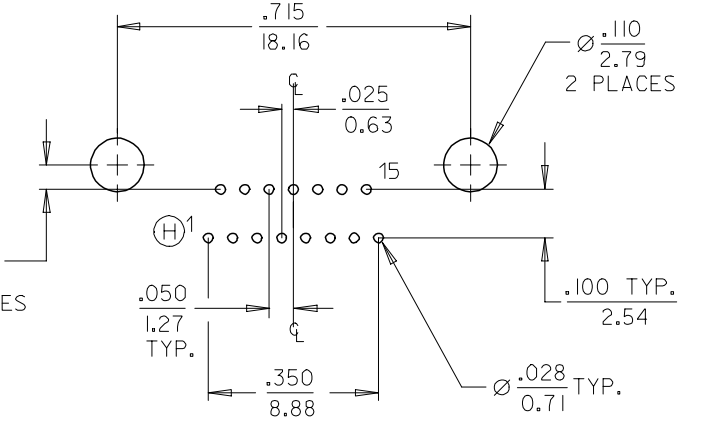
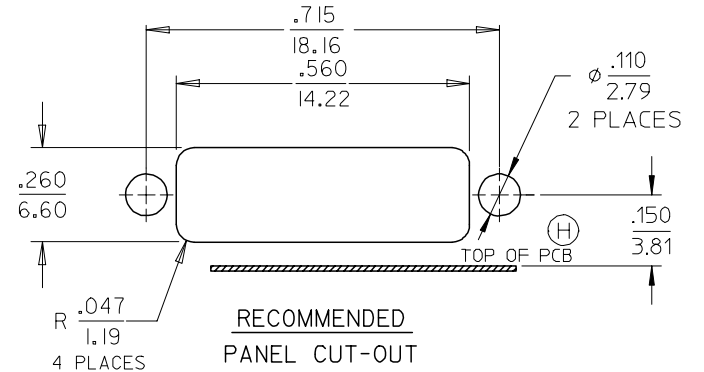
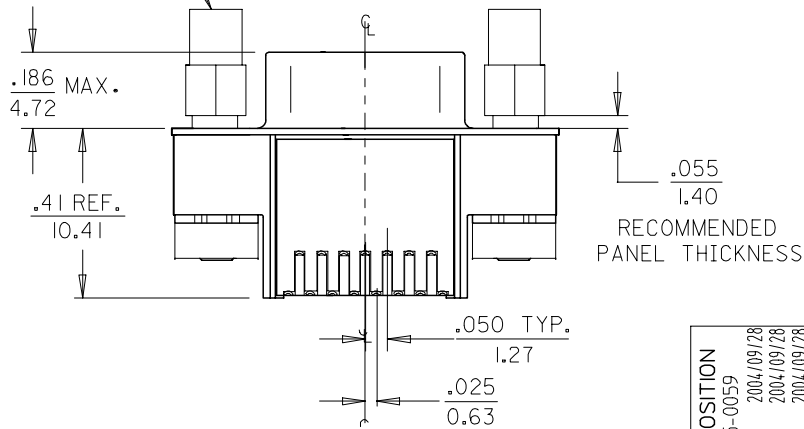


MATERIAL NO.	ENG. NO.
836129020	83612-9020



2-56 JACKPOST
2 PLACES



SALES DRAWING

2. MARKING: NONE.
1. REFER TO PS-83421-9000 FOR PRODUCT SPECIFICATION.
NOTES: UNLESS OTHERWISE SPECIFIED.

ADD HOLE POSITION EC NO: ETC2005-0059 2004/09/28 DRAWN: JLOMASTR 2004/09/28 CHKD: RDEROSS 2004/09/28 APPR: RDEROSS 2004/09/28	DESCRIPTION	QUALITY SYMBOLS	GENERAL TOLERANCES (UNLESS SPECIFIED)		DIMENSION STYLE IN/MM		SCALE NONE	DESIGN UNITS INCH	THIRD ANGLE PROJECTION
		$\nabla=0$ $\nabla=0$	4 PLACES	mm	INCH	DRAWN BY JLOMASTR	DATE 04/09/20	TITLE	CONNECTOR COMERCIAL MICRO D R/A SIZE 15
			3 PLACES	± ---	± ---	CHECKED BY RDEROSS	DATE 04/09/27	MOLEX INCORPORATED	
			2 PLACES	± 0.13	± .01	APPROVED BY RDEROSS	DATE 04/09/28		MATERIAL NO. SEE CHART
	1 PLACE	± 0.25	± ---	ANGULAR ± 1 °		THIS DRAWING CONTAINS INFORMATION THAT IS PROPRIETARY TO MOLEX INCORPORATED AND SHOULD NOT BE USED WITHOUT WRITTEN PERMISSION			