

Mfrs. List No.	2322-592-52716 = 318-966,	2322-592-52716 = 318-978,	2322-593-51316 = 319-980,
	2322-593-51516 = 318-991,	2322-593-52516 = 319-004,	2322-593-52716 = 319-016,
	2322-593-53016 = 319-028,	2322-593-54616 = 319-030,	2322-593-56006 = 319-041,
	2322-594-52716 = 319-053,	2322-595-52716 = 319-065,	2322-595-54616 = 319-077

FIL48

Order Multiple=5		Order Code	Price Each			
AC Voltage	Energy (Joules)		5+	10+	1K+	3K+
60	2.9	318-966				
275	12	318-978				
130	17	318-980				
150	20	318-991				
250	33	319-004				
275	36	319-016				
300	40	319-028				
460	63	319-030				
60	8.3	319-041				
275	63	319-053				
275	104	319-065				
460	135	319-077				

## Capacitive Filters

### Capacitive - Subminiature



- Subminiature lead through solder mount capacitor offering ultra small size and high capacitance
- Can be used in 2.54mm pitch.



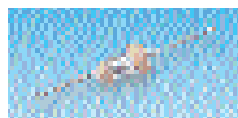
Body dia. = 2.5      Mounting hole dia. = 2.15  
Lead dia. = 0.6      Body Length = 2.4

Operating temperature	-25°C to +85°C	Capacitance	1500pF
Capacitance tolerance	0% +200%	Voltage rating	50V dc
Insulation resistance	≥1000MΩ	Mfrs. List No.	DF221-601SS152GMV

FIL45

Order Multiple=5		Order Code	Price Each			
pF			5+	10+	50+	100+
1500		581-070				

### Capacitive — BDBQ Series



- Low cost, solder mount, ceramic lead through capacitors for low pass filtering applications.

### STETTNER

Mounting hole dia. = 3.6, Body length = 6.0,  
Body dia. = 4.5, Lead dia. = 0.7

Voltage rating	400V	Tolerance	-20% +50%
----------------	------	-----------	-----------

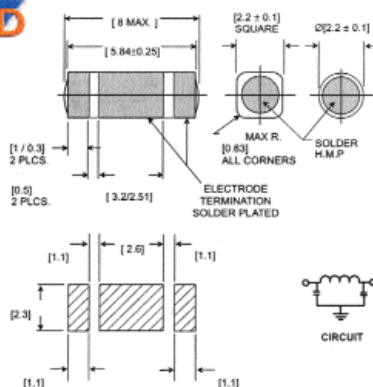
Frequency:	10MHz	100MHz	1000MHz
Insertion loss dB (50Ω System)	6	23	25

Mfrs. List No. BDBQ5001000

FIL53

		Price Each				
pF	Order Code	1+	10+	50+	100+	250+
1000	106-800					

### Surface Mount Pi-Section Filters



Supplied on 16mm blister tape

- Pi-section filters in compact surface mount package
- High current rating 10A
- Designed for use near to noise generating components to suppress interference at source
- Applications include radio and telecommunications, signal processing, disc drives, TV set-top equipment, sensors and instrumentation

Operating temperature	-55°C to +125°C	Current rating	10A
-----------------------	-----------------	----------------	-----

Capacitance (pF)	Voltage Rating @ 125°C (V)	Attenuation dB (50Ω system)				Mfrs. List No.	Order Code
		10MHz	100MHz	1GHz	10GHz		
1000	100	7	40	65	70	4700-005	326-1931
2000	100	10	45	70	70	4700-003	326-1943
4000	100	13	52	70	70	4700-008	326-1955
8200	100*	20	65	70	70	4701-001	326-1967

\*100V @ 85°C

FIL295

pF	Order Code	Price Each			
		1+	10+	50+	100+
1000	326-1931				
2000	326-1943				
4000	326-1955				
8200	326-1967				

### Pi-Section - Axial Filter



- Pi-section suppression filters in an axial design
- For use on printed circuit boards near to noise generating components to suppress conducted noise or interference at source
- High insertion loss and compact size.

Current rating	10A	Operating temperature	-55°C to +125°C
----------------	-----	-----------------------	-----------------

Capacitance (pF)	Working Voltage	Insertion Loss 50Ω System			Mfrs. List No.	Order Code
min. max.	85°C 125°C	10MHz	100MHz	1GHz		
1500 3000	250Vac 200Vdc	5	45	70	4100-057	579-531
5000 10000	250Vac 200Vdc	18	60	70	4100-053	579-543

FIL130

		Price Each			
Capacitance pF (min)	Order Code	1+	10+	50+	100+
1500	579-531				
5000	579-543				

### Sub-miniature Capacitive - 4400 Series



- Sub-miniature ceramic lead-through capacitors for low pass filtering applications
- M3 mounting thread



Mounting hole dia. = 3.0, Body length = 7.0,  
Body dia. = 4.0 (Hex)  
Lead dia. = 0.79, Thread = M3 x 0.5

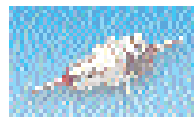
Operating temperature	-55°C to +125°C	Current rating	10A
-----------------------	-----------------	----------------	-----

Capacitance (pF)	Voltage Rating @ 125°C (V)	Attenuation dB (50Ω system)				Mfrs. List No.	Order Code
		1MHz	10MHz	100MHz	1GHz	10GHz	
1000	200	-	5	20	35	45	4400-095 326-1979
4700	100	-	15	30	45	55	4400-094 326-1980
10000	50	4	21	35	50	60	4400-093 326-1992

FIL294

		Price Each			
pF	Order Code	1+	10+	50+	100+
1000	326-1979				
4700	326-1980				
10000	326-1992				

### Capacitive — 2499 Series.



- Ceramic lead-through capacitors for low pass filtering applications, where chassis mounting is required and where space is at a premium.



Mounting hole dia. = 5.4, Body length = 11.9  
Body dia. = 6.35 (Hex), Lead thickness = 1.29, Thread = 1/28-NF-2A

Voltage rating	500V	Current rating	10A
Operating temperature	-55°C to +125°C		
Power factor	0.03 (106-772 = 0.001)		

pF	Temperature Coefficient	Insertion Loss dB (50Ω System)			Mfrs. List No.	Order Code
		10MHz	100MHz	1GHz		
100	N750 ±1000ppm/°C	0.1	5	23	249 9-003-U2M-101K	106-772
1000	+22% to -56% (-55°C to +85°C)	5	21	28	249 9-003-X5U-102P	106-773
10000	+22% to -56% (-55°C to +85°C)	22	38	50	249 9-003-X5W-103Z	106-774

FIL54

		Price Each				
pF	Tolerance	Order Code	1+	10+	50+	100+
100	±10%	106-772				
1000	-0+100%	106-773				
10000	-20%+80%	106-774				

Continued